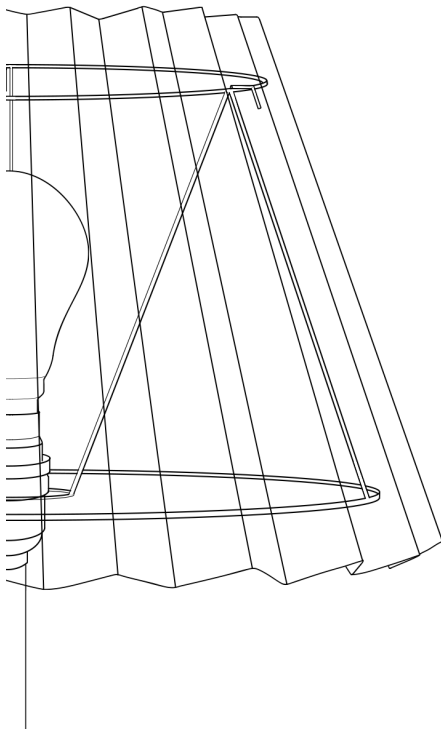


MATILDA GOAD & CO

FITTINGS, SIZE AND SPEC SHEET

index



2

BRASS ADJUSTABLE LAMP BASE

3-4

BRASS LAMPSHADES

5-8

RAFFIA SCALLOP LAMPSHADES

9-12

FABRIC SCALLOP LAMPSHADES

13-16

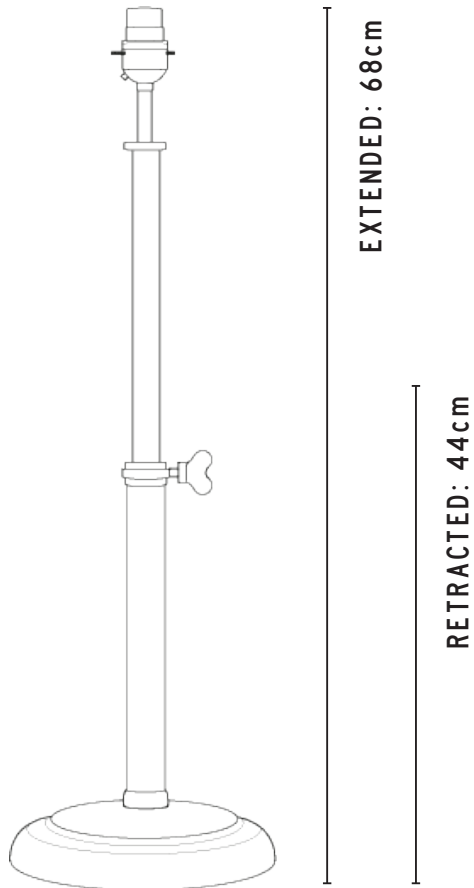
CANE LAMPSHADES

17

RATTAN WAVE PENDANT SHADE

18-19

SHADE CARRIERS & FITTINGS



ADJUSTABLE BRASS LAMP BASE

PRODUCT DESCRIPTION

Our adjustable brass lampshade works to fit your light into every different part of a room: simply choose your preferred height to match your shade.

COMPOSITION & CARE

Cast in iron and coated in lacquered brass. We advise against using harsh metal polishes on this product, alternatively use a soft cloth to maintain the brushed finish.

DIMENSIONS

*Base: 17cm diameter
Retracted height: 44cm
Extended height: 68cm
Heights measured to top of lamp fitting, excluding lightbulb.*

UK FITTING

Suitable for UK/EU shades.

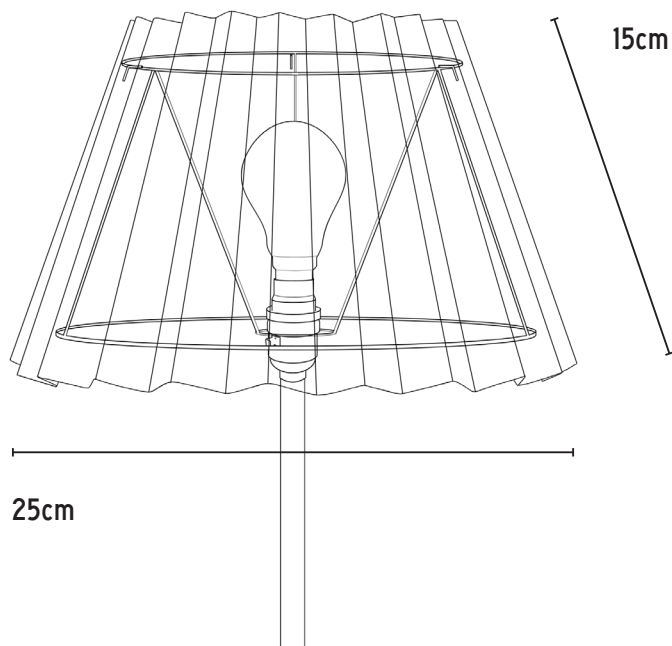
Base is not suitable for US bulbs and shades: we recommend hiring a local electrician to rewire your base. Alternatively you can use a UK bulb and US/UK adapter.

FITTING SPECIFICATIONS

Bulb: Standard B22 Bayonet LED Golfball, 4W.

Wired with a UK fitting only, as this lamp is made using antique parts. Switch is found at the top of the fitting.

Cable: Twisted braided flex in sage green. PAT tested.



BRASS CONCERTINA LAMPSHADE, SMALL

PRODUCT DESCRIPTION

These lampshades are brushed brass with slight natural markings for an antique finish and are lacquered to prevent from any further wear. This shade can be used as a wall light or paired with our matching Brass Lamp.

COMPOSITION & CARE

Antique treated brass, with slight natural markings. We advise against using harsh metal polishes on this product, alternatively use a soft cloth to maintain the brushed finish.

DIMENSIONS

*Base: 25cm
Top: 13cm
Slope: 15cm*

UK FITTING

Suitable for UK/EU bases.

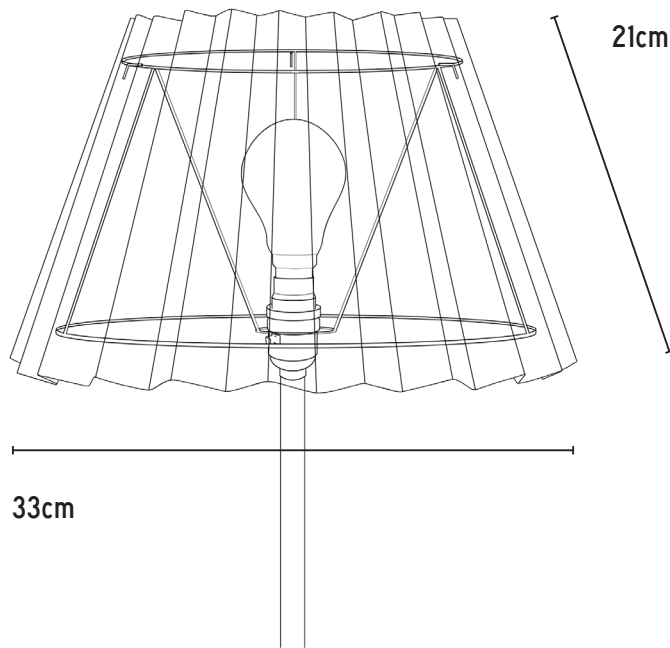
Not suitable for US fittings and bases: we recommend consulting a local electrician before purchase about rewiring your base.

FITTING SPECIFICATIONS

Bulb: Standard B22 Bayonet LED golfball, 4W.

Shade reducers:

Included with every shade. These shades are compatible for both UK and EU fittings. If your base is UK compatible, you will need to position the shade reducers above and below the shade carrier, so that the shade is sandwiched to the base. Secure with the detachable shade ring usually found on lamp bases.



BRASS CONCERTINA LAMPSHADE, LARGE

PRODUCT DESCRIPTION

These lampshades are brushed brass with slight natural markings for an antique finish and are lacquered to prevent from any further wear. This shade can be used as a wall light or paired with our matching Brass Lamp.

COMPOSITION & CARE

Antique treated brass, with slight natural markings. We advise against using harsh metal polishes on this product, alternatively use a soft cloth to maintain the brushed finish.

DIMENSIONS

Base: 33cm

Top: 16cm

Slope: 21cm

UK FITTING

Suitable for UK/EU bases.

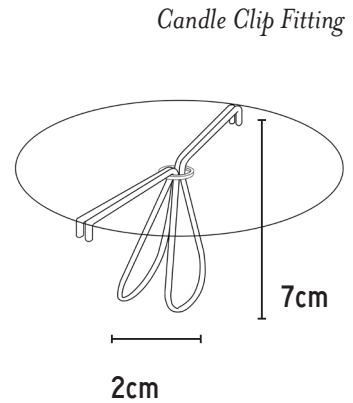
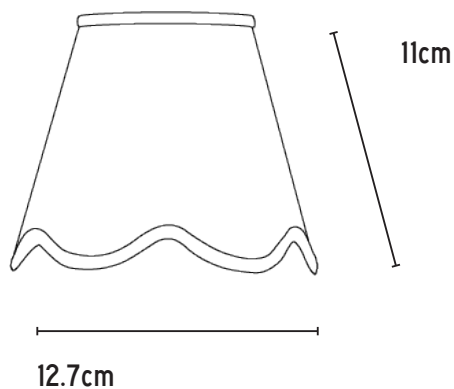
Not suitable for US fittings and bases: we recommend consulting a local electrician before purchase about rewiring your base.

FITTING SPECIFICATIONS

Bulb: Standard B22 Bayonet LED golfball, 4W.

Shade reducers:

Included with every shade. These shades are compatible for both UK and EU fittings. If your base is UK compatible, you will need to position the shade reducers above and below the shade carrier, so that the shade is sandwiched to the base. Secure with the detachable shade ring usually found on lamp bases.



RAFFIA SCALLOP CANDLE SHADE

PRODUCT DESCRIPTION

This diminutive take on our signature scallop shade creates a big impact. Perfect as a duo on a wall-mounted candle holder, they can also transform a candlelit table top setting.

COMPOSITION & CARE

Raffia, with a cotton trim. Lined with cream cotton to create a diffused light.

*Trims available in:
Black, Red and Cream.*

DIMENSIONS

*Base: 12.7cm
Top: 7.6cm
Slope: 11.7cm*

CANDLE CLIP FITTING

*Suitable for UK/EU/US bases.
Suitable for wall light fittings.*

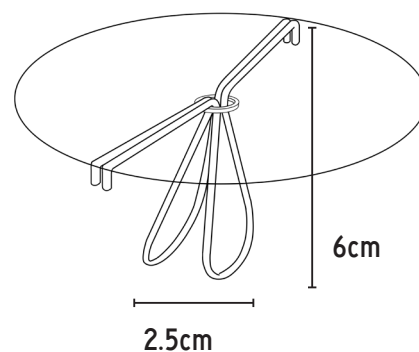
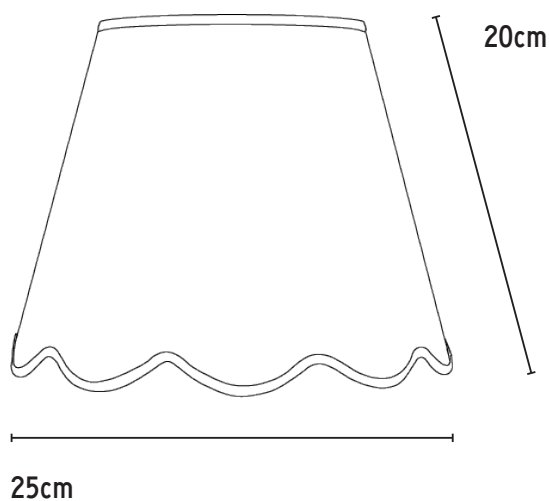
FITTING YOUR SHADE

Bulb: Candle LED bulb, maximum 40W.

These candle clip fittings come attached to your candle shade, and will simply slot onto your candle bulb from above.

*Dimensions of candle clip:
Height: 7cm
Width: 2cm*

Bulb Clip Fitting:



RAFFIA SCALLOP LAMPSHADE, SMALL

PRODUCT DESCRIPTION

Our signature scalloped edges came about as a playful alternative to the straight lines of traditional lampshades.

COMPOSITION & CARE

Raffia, with a cotton trim. Lined with cream cotton to create a diffused light.

*Trims available in:
Black, Red and Cream.*

DIMENSIONS

*Base: 25cm
Top: 15cm
Slope: 20cm*

CANDLE CLIP FITTING

*Suitable for UK/EU/US bases.
Pendant fitting not available.*

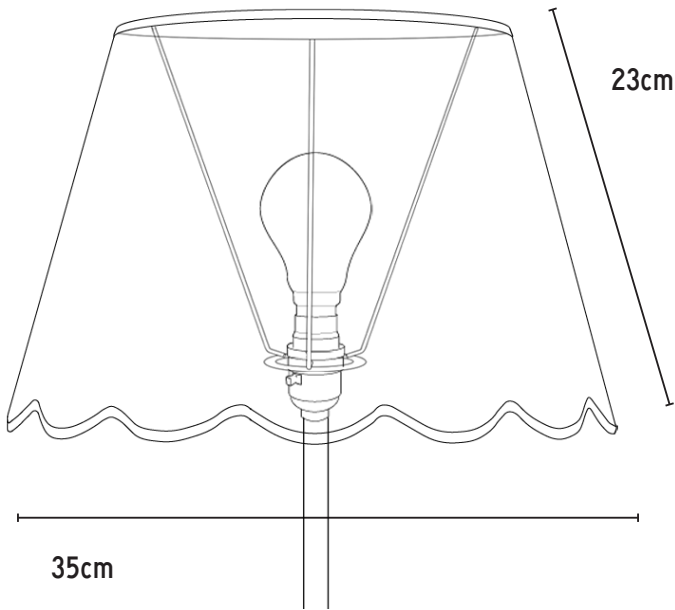
FITTING SPECIFICATIONS

Bulb: LED bulb, maximum 40W.

These shades come with attached bulb clip fittings: simply slot onto your bulb from above.

Dimensions of candle clip:

*Height: 6cm
Width: 2.5cm*



RAFFIA SCALLOP LAMP SHADE, MEDIUM

PRODUCT DESCRIPTION

Our signature scalloped edges came about as a playful alternative to the straight lines of traditional lampshades.

COMPOSITION & CARE

Raffia, with a cotton trim. Lined with cream cotton to create a diffused light.

Trims available in:

Black, Red and Cream.

DIMENSIONS

Base: 36cm

Top: 24cm

Slope: 23cm

Shade carrier diameter: 4.2cm

Shade reducers included

LAMP FITTING

ES Fitting: suitable for UK/EU bases

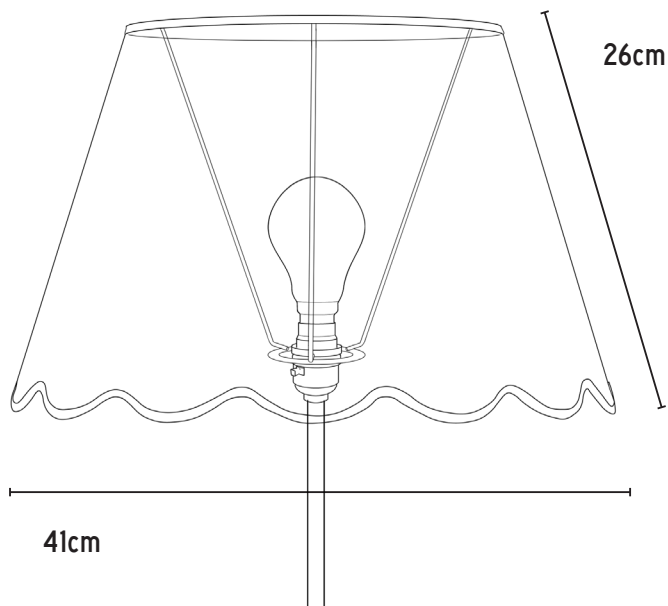
Pendant fitting not available.

Not suitable for US fittings and bases: we recommend consulting a local electrician before purchase about rewiring your base.

FITTING SPECIFICATIONS

Bulb: Standard R27 LED bulb, 4W.

These shades are compatible for both UK and EU fittings. If your base is UK compatible, you will need to position the shade reducers included with your shade above and below the shade carrier, so that the shade is sandwiched to the base. Secure with the detachable shade ring usually found on lamp bases.



RAFFIA SCALLOP LAMP SHADE, LARGE

PRODUCT DESCRIPTION

Our signature scalloped edges came about as a playful alternative to the straight lines of traditional lampshades.

COMPOSITION & CARE

Raffia, with a cotton trim. Lined with cream cotton to create a diffused light.

Trims available in:

Black, Red and Cream.

DIMENSIONS

Base: 41cm

Top: 25cm

Slope: 26cm

Shade carrier diameter: 4.2cm

Shade reducers included

LAMP FITTING

ES Fitting: suitable for UK/EU bases

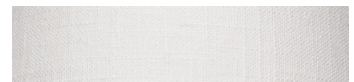
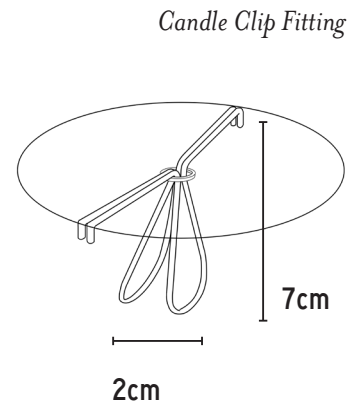
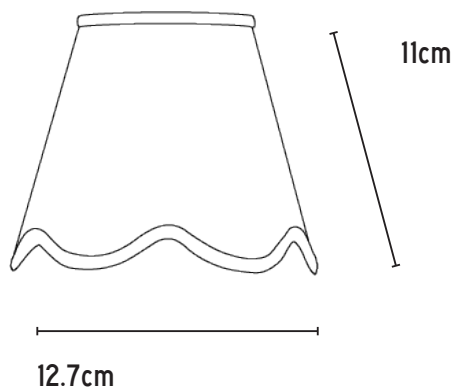
Pendant fitting not available.

Not suitable for US fittings and bases: we recommend consulting a local electrician before purchase about rewiring your base.

FITTING SPECIFICATIONS

Bulb: Standard R27 LED bulb, 4W.

These shades are compatible for both UK and EU fittings. If your base is UK compatible, you will need to position the shade reducers included with your shade above and below the shade carrier, so that the shade is sandwiched to the base. Secure with the detachable shade ring usually found on lamp bases.



FABRIC SCALLOP CANDLE SHADE

PRODUCT DESCRIPTION

This diminutive take on our signature scallop shade creates a big impact.

COMPOSITION & CARE

Composition 100% Ramie, treated with stain retardant.

DIMENSIONS

Base: 12.7cm

Top: 7.6cm

Slope: 11.7cm

CANDLE CLIP FITTING

Suitable for UK/EU/US bases.

Suitable for wall light fittings.

FITTING YOUR SHADE

Bulb: Candle LED bulb, maximum 40W.

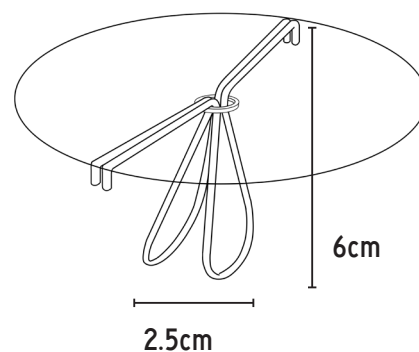
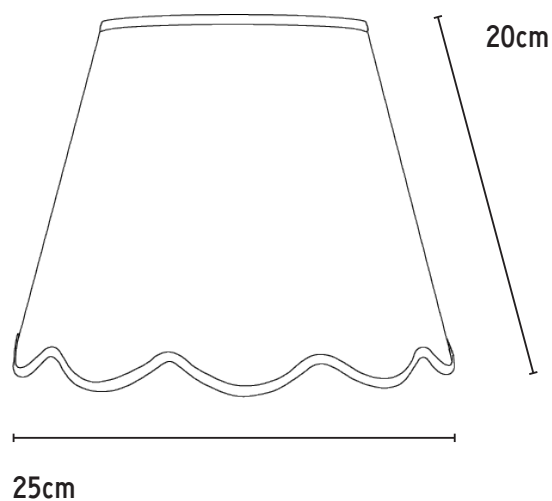
These candle clip fittings come attached to your candle shade, and will simply slot onto your candle bulb from above.

Dimensions of candle clip:

Height: 7cm

Width: 2cm

Bulb Clip Fitting:



FABRIC SCALLOP LAMPSHADE, SMALL

PRODUCT DESCRIPTION

Our signature scalloped edges came about as a playful alternative to the straight lines of traditional lampshades.

COMPOSITION & CARE

Composition 100% Ramie, treated with stain retardant.

DIMENSIONS

*Base: 25cm
Top: 15cm
Slope: 20cm*

CANDLE CLIP FITTING

*Suitable for UK/EU/US bases.
Pendant fitting not available.*

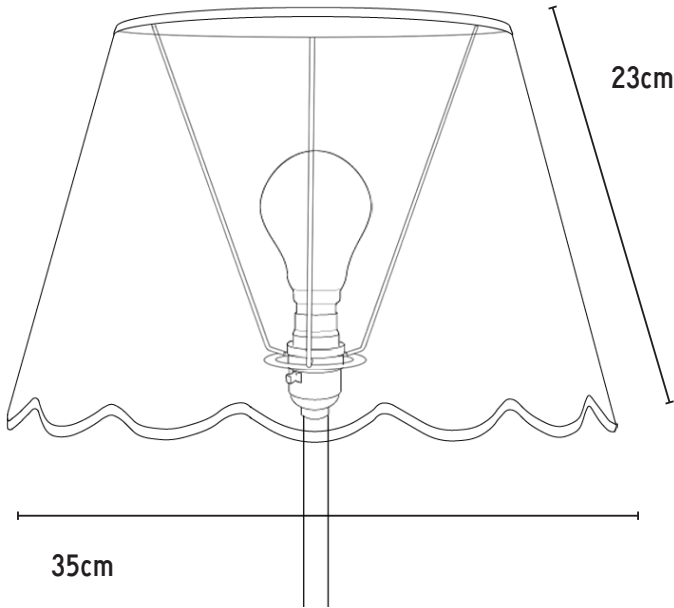
FITTING SPECIFICATIONS

Bulb: LED bulb, maximum 40W.

These shades come with attached bulb clip fittings: simply slot onto your bulb from above.

Dimensions of bulb clip:

*Height: 6cm
Width: 2.5cm*



CANDLE SCALLOP LAMP SHADE, MEDIUM

PRODUCT DESCRIPTION

Our signature scalloped edges came about as a playful alternative to the straight lines of traditional lampshades.

COMPOSITION & CARE

Composition 100% Ramie, treated with stain retardant.

DIMENSIONS

*Base: 36cm
Top: 24cm
Slope: 23cm*

*Shade carrier diameter: 4.2cm
Shade reducers included*

LAMP FITTING

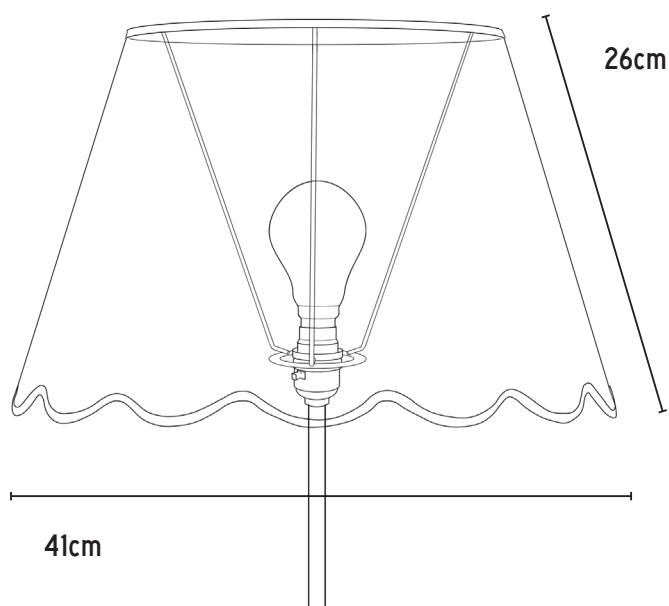
*ES Fitting: suitable for UK/EU bases
Pendant fitting not available.*

Not suitable for US fittings and bases: we recommend consulting a local electrician before purchase about rewiring your base.

FITTING SPECIFICATIONS

Bulb: Standard R27 LED bulb, 4W.

These shades are compatible for both UK and EU fittings. If your base is UK compatible, you will need to position the shade reducers included with your shade above and below the shade carrier, so that the shade is sandwiched to the base. Secure with the detachable shade ring usually found on lamp bases.



FABRIC SCALLOP LAMP SHADE, LARGE

PRODUCT DESCRIPTION

Our signature scalloped edges came about as a playful alternative to the straight lines of traditional lampshades.

COMPOSITION & CARE

Composition 100% Ramie, treated with stain retardant.

DIMENSIONS

Base: 41cm

Top: 25cm

Slope: 26cm

Shade carrier diameter: 4.2cm

Shade reducers included

LAMP FITTING

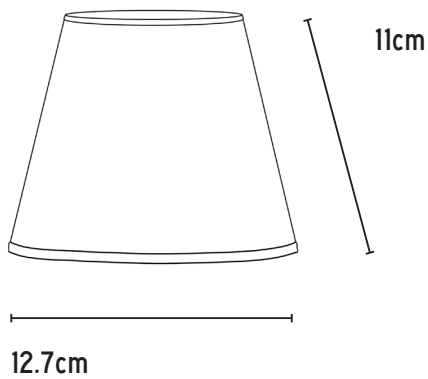
*ES Fitting: suitable for UK/EU bases
Pendant fitting not available.*

Not suitable for US fittings and bases: we recommend consulting a local electrician before purchase about rewiring your base.

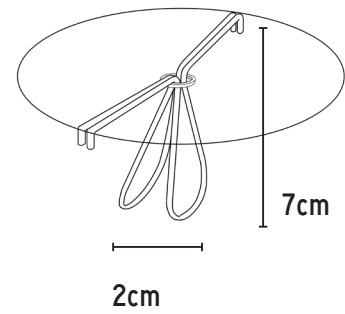
FITTING SPECIFICATIONS

Bulb: Standard R27 LED bulb, 4W.

These shades are compatible for both UK and EU fittings. If your base is UK compatible, you will need to position the shade reducers included with your shade above and below the shade carrier, so that the shade is sandwiched to the base. Secure with the detachable shade ring usually found on lamp bases.



Candle Clip Fitting



CANE CANDLE SHADE WITH COLOUR TRIM

PRODUCT DESCRIPTION

Perfect on a wall-mounted candle holder or to transform a candlelit table top setting, this timeless shade is offset with a pink trim and features a translucent lining for a soft glow.

COMPOSITION & CARE

Cane, with a cotton trim. Lined with a translucent laminated parchment paper.

Trims available in:

Khaki green, Dusty Pink and Chocolate.

DIMENSIONS

Base: 12.7cm

Top: 7.6cm

Slope: 11cm

CANDLE CLIP FITTING

Suitable for UK/EU/US bases.

Suitable for wall light fittings, pendant fitting available.

FITTING YOUR SHADE

Bulb: Candle LED bulb, maximum 40W.

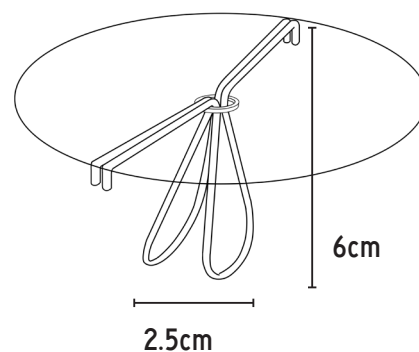
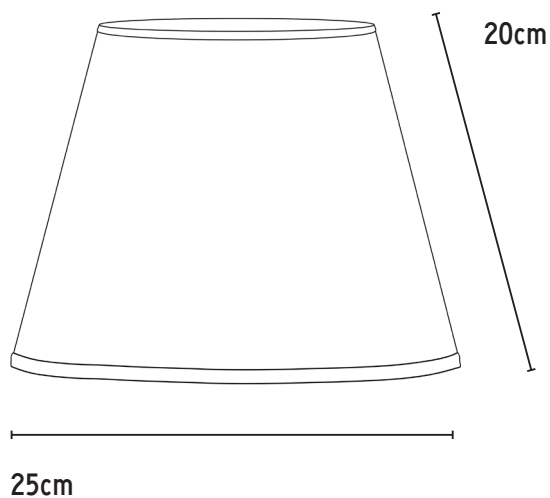
These candle clip fittings come attached to your candle shade, and will simply slot onto your candle bulb from above.

Dimensions of candle clip:

Height: 7cm

Width: 2cm

Bulb Clip Fitting:



CANE SHADE WITH COLOUR TRIM, SMALL

PRODUCT DESCRIPTION

This timeless shade is offset with a colour trim and features a translucent lining for a soft glow.

COMPOSITION & CARE

Cane, with a cotton trim. Lined with a translucent laminated parchment paper.

Trims available in:

Khaki, Dusty Pink and Chocolate.

DIMENSIONS

Base: 25cm

Top: 15cm

Slope: 20cm

CANDLE CLIP FITTING

Suitable for UK/EU/US bases.

Pendant fitting not available.

FITTING SPECIFICATIONS

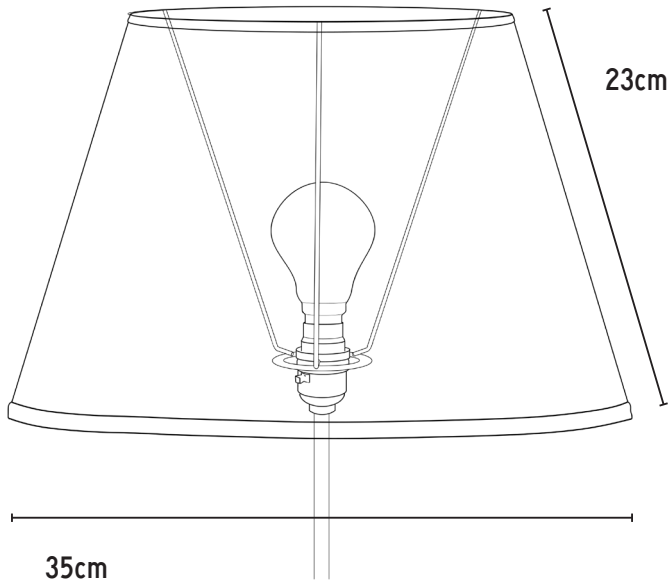
Bulb: LED bulb, maximum 40W.

These shades come with attached bulb clip fittings: simply slot onto your bulb from above.

Dimensions of candle clip:

Height: 6cm

Width: 2.5cm



CANE SHADE WITH COLOUR TRIM, MEDIUM

PRODUCT DESCRIPTION

This timeless shade is offset with a colour trim and features a translucent lining for a soft glow.

COMPOSITION & CARE

Cane, with a cotton trim. Lined with a translucent laminated parchment paper.

Trims available in:

Khaki, Dusty Pink and Chocolate.

DIMENSIONS

Base: 35cm

Top: 24cm

Slope: 23cm

Shade carrier diameter: 4.2cm

Shade reducers included

LAMP FITTING

ES Fitting: suitable for UK/EU bases

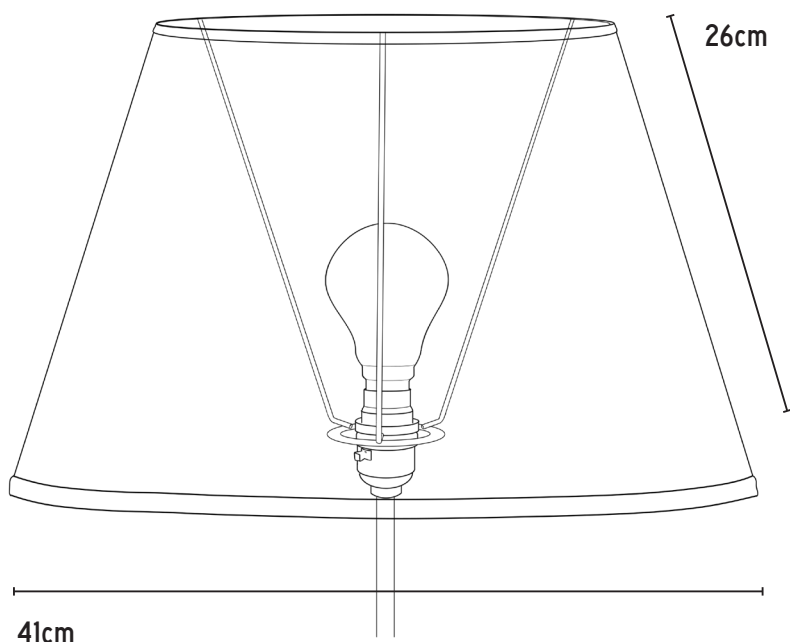
Pendant fitting not available.

Not suitable for US fittings and bases: we recommend consulting a local electrician before purchase about rewiring your base.

FITTING SPECIFICATIONS

Bulb: Standard R27 LED bulb, 4W.

These shades are compatible for both UK and EU fittings. If your base is UK compatible, you will need to position the shade reducers included with your shade above and below the shade carrier, so that the shade is sandwiched to the base. Secure with the detachable shade ring usually found on lamp bases.



CANE SHADE WITH COLOUR TRIM, LARGE

PRODUCT DESCRIPTION

This timeless shade is offset with a colour trim and features a translucent lining for a soft glow.

COMPOSITION & CARE

Cane, with a cotton trim. Lined with a translucent laminated parchment paper.

Trims available in:

Khaki, Dusty Pink and Chocolate.

DIMENSIONS

Base: 41cm

Top: 25cm

Slope: 26cm

Shade carrier diameter: 4.2cm

Shade carrier and reducers included

LAMP FITTING

ES Fitting: suitable for UK/EU bases

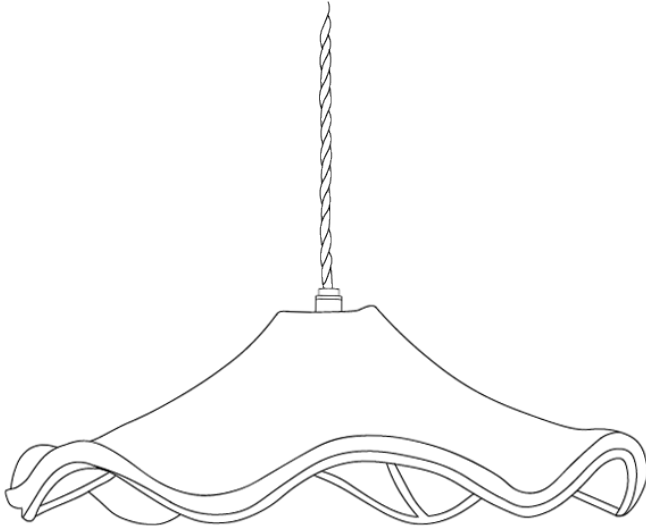
Pendant fitting not available.

Not suitable for US fittings and bases: we recommend consulting a local electrician before purchase about rewiring your base.

FITTING SPECIFICATIONS

Bulb: Standard R27 LED bulb, 4W.

These shades are compatible for both UK and EU fittings. If your base is UK compatible, you will need to position the shade reducers included with your shade above and below the shade carrier, so that the shade is sandwiched to the base. Secure with the detachable shade ring usually found on lamps.



RATTAN WAVE PENDANT SHADE

PRODUCT DESCRIPTION

Created in collaboration with Edit.58, our pendant shade is made from woven rattan. Perfect for hanging alone or in multiples.

COMPOSITION & CARE

Woven from natural rattan, with a 3 core braided flex, and aged brass bulb holder and flex grip. Due to the handmade nature of this product, please expect small differences in colour, weave and shape.

DIMENSIONS

*Base: 42cm diameter (approx)
Height: 12cm (approx)
Flex length: 1.5m*

UK FITTING

Packed with lighting parts suitable for UK instalment.

EU and US customers are advised to source the correct compatible parts and to consult a certified electrician to install your pendant shade.

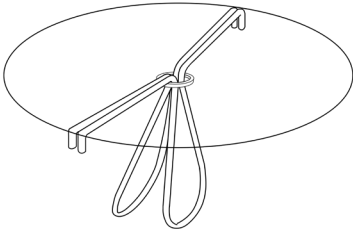
FITTING SPECIFICATIONS

Bulb: Standard LED B22 Bayonet, maximum wattage 60W.

Alignment: Ensure that the skirt and the groove located in the ceramic part of the bulb holder are aligned prior to fitting.

*Cable: Twisted braided flex in neutral linen.
Light bulbs and ceiling rose not included.*

LAMPSHADE FITTINGS



candle & bulb clip fittings

SIZE: CANDLE & SMALL SHADES

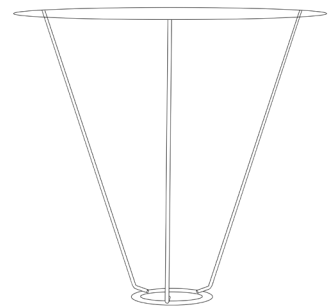
Our Candle and Small sized lampshades come with a candle/bulb clip fitting attached. This simply slots onto your bulb from above, and can be used universally.

Suitable for: UK/EU/US

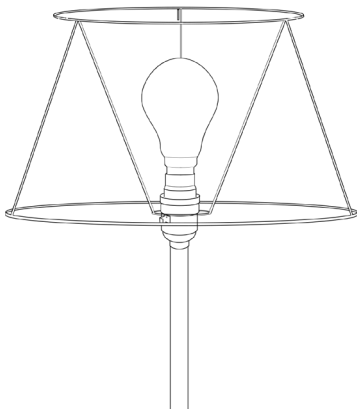
ES fittings

SIZE: MEDIUM & LARGE SHADES

Our Cane, Raffia and Fabric shades in sizes Medium and Large come with an ES shade carrier attached, suitable for UK & EU lamp bases. To fit the shade onto a UK base, you will need to use the shade reducers included in your package.



Suitable for: UK/EU



ES fittings

SIZE: MEDIUM & LARGE BRASS SHADES

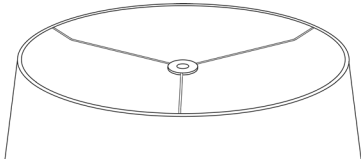
The ES fitting for our Brass Shades comes included, but not attached, to your shade. Simply fit your shade carrier onto your lamp base, and use the inner fixtures to prop the shade on top of the shade carrier. To fit the shade onto a UK base, you will need to use the shade reducers included in your package.

Suitable for: UK/EU

LAMPSHADE FITTINGS

washer fittings

SIZE: MEDIUM & LARGE SCALLOP SHADES



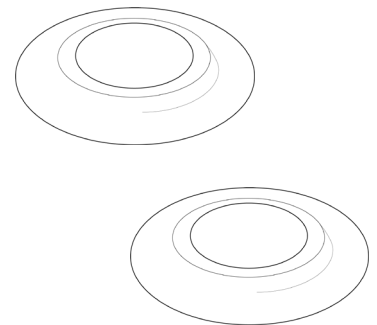
We currently offer our Medium & Large Raffia Scallop Shades in Cream Trim with the option of a washer fitting for our US customers. This fitting comes attached to our lampshade, we do not include the finial and harp with your product.

Suitable for: US

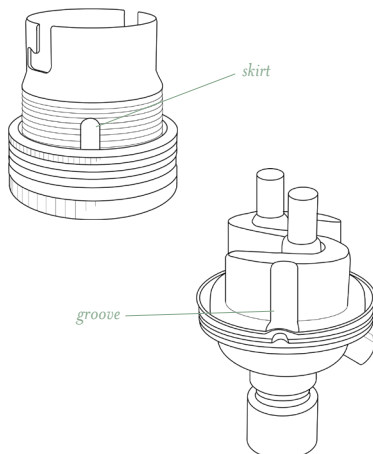
shade reducers

SIZE: MEDIUM & LARGE SHADES

Our Cane, Raffia and Fabric shades in sizes Medium and Large come with shade reducers included. If your base is UK compatible, you will need to use these reducers to fit the shade on securely to the base. Position the shade reducers above and below the shade carrier to fit the carrier snugly to the base, and secure with the shade ring usually found on lamps. Two are included per lampshade.



Suitable for: UK/EU



pendant fittings

RATTAN WAVE PENDANT SHADE

Rattan wave pendant shades come with a 3 core braided flex, and aged brass BC bulb holder and flex grip included. When fitting your shade, please ensure the skirt and groove are aligned. This shade does not come with a ceiling rose included.

Suitable for: UK instalment