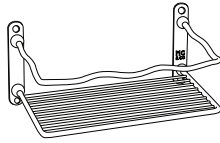

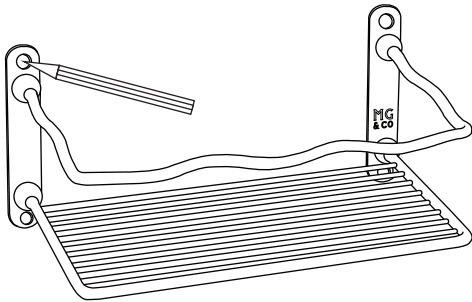


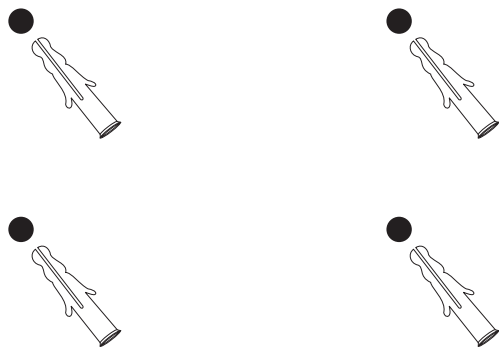
A	SHELF		1x
B	BRASS SCREW WITH BRASS CAP		4x
C	WALL PLUG		4x

**Step 1:**



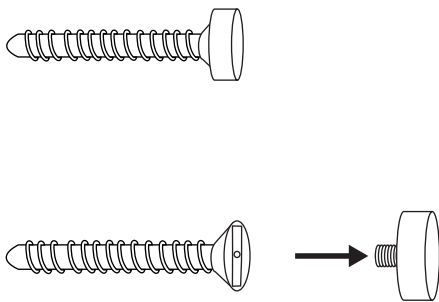
*Mark 4x points on your wall surface with a pencil*

**Step 2:**



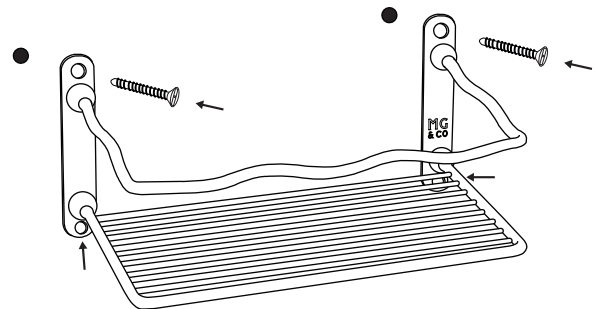
*Drill holes and insert wall plugs*

**Step 3:**



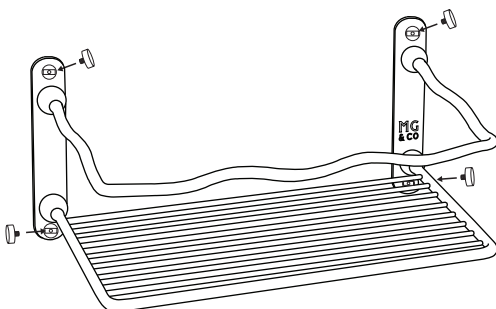
*Remove brass cap*

**Step 4:**



*Secure shelf to the wall with screws*

**Step 5:**



*Add brass caps*

**Assembled product:**

