

RAFFIA SCALLOP LAMP SHADE, LARGE, US FITTING

PRODUCT DESCRIPTION

Our signature scalloped edges came about as a playful alternative to the straight lines of traditional lampshades.

COMPOSITION & CARE

Raffia, with a cotton trim. Lined with cream cotton to create a diffused light.

*Trims available in:
Black, Red and Cream.*

DIMENSIONS

*Base: 16.1"
Height: 10.2"
Top: 9.8"
Slope: 10.2"*

LAMP FITTING

Washer fitting: Suitable for US fittings.

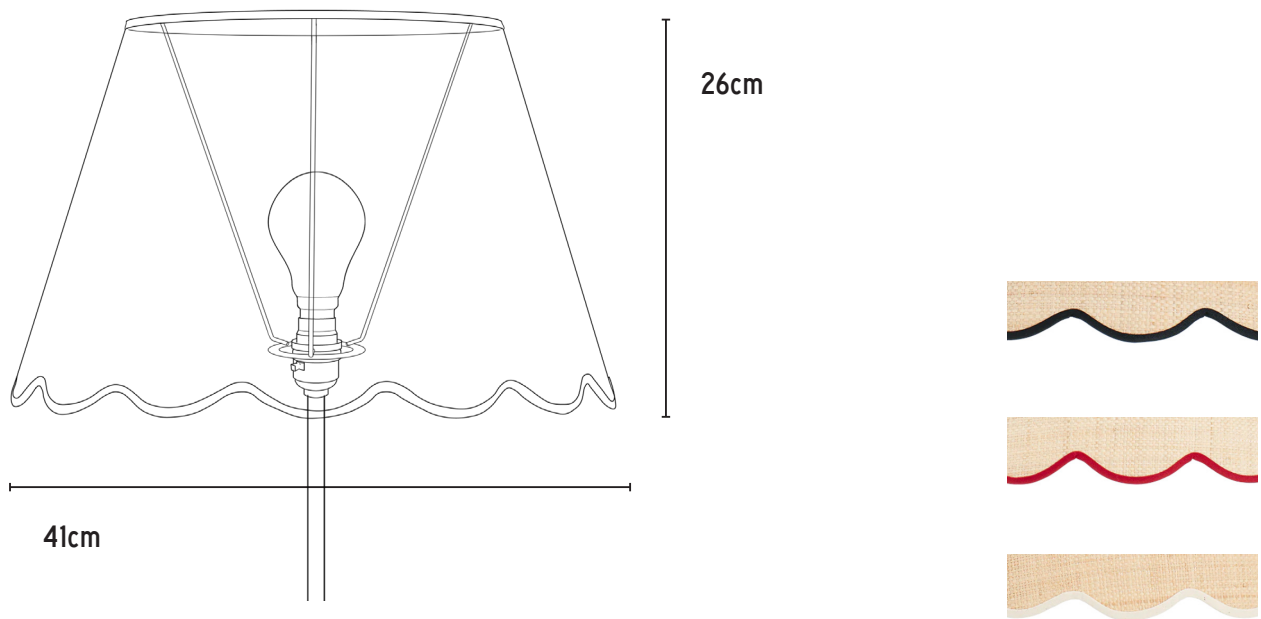
*This washer fitting will fit Harp and Finial fittings.
Lampshade comes with washer fitting attached.*

FITTING SPECIFICATIONS

Bulb: Standard R27 LED bulb, 4W.

These shades are compatible with US lamps only.

The washer fitting is attached to the top of the shade, please note that the harp and finial do not come included with this product.



RAFFIA SCALLOP LAMPSHADE, LARGE, UK/EU FITTING

PRODUCT DESCRIPTION

A MG&CO signature, a favourite amongst our community for instantly adding a touch of timelessness to the home.

COMPOSITION & CARE

Raffia, with a cotton trim. Lined with cream cotton to create a diffused light. Available with trim colour: Black, Red and Cream.

DIMENSIONS

Base: 41cm

Height: 26cm

Top: 25cm

Slope: 26cm

Shade carrier diameter: 4.2cm

LAMP FITTING

ES Fitting: suitable for UK/EU bases

Pendant fitting not available.

Not suitable for US fittings and bases: we recommend consulting a local electrician before purchase about rewiring your base.

FITTING SPECIFICATIONS

Bulb: Standard R27 LED bulb, 4W.

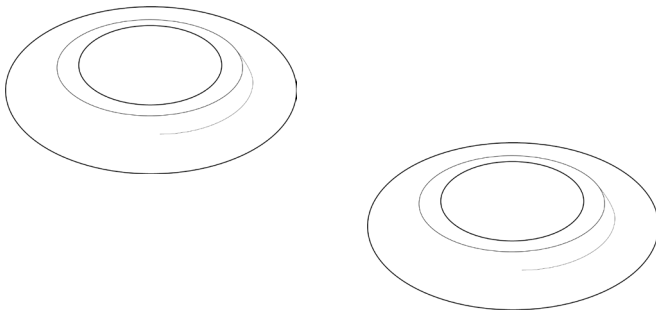
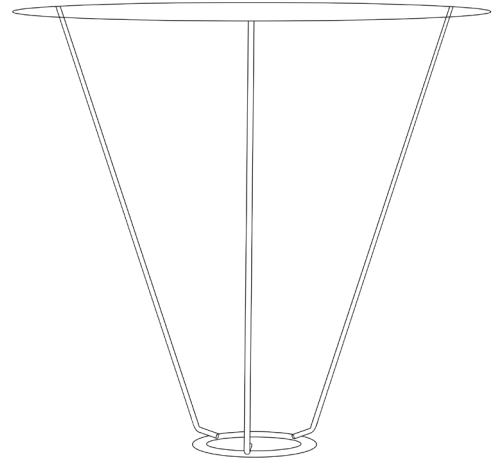
2x Shade Reducers included if needed for any smaller sized fittings. Position these reducers above and below the shade carrier washer, and secure into place by tightening the shade rings supplied with your lamp base.

More information on fittings included overleaf.

ES fitting

Our Raffia Scallop Shades in sizes Medium and Large come with an ES shade carrier attached, suitable for UK & EU lamp bases. To fit the shade onto a UK base, you will need to use the shade reducers included in your package.

Suitable for: UK/EU



Shade Reducers

Shade Reducers are included with your lampshade. If your base is UK compatible, you will need to use these reducers to fit the shade on securely to the base. Position the shade reducers above and below the shade carrier washer to fit the carrier snugly to the base, and secure with the shade ring usually found on lamps. Two are included per lampshade.

Suitable for: UK/EU