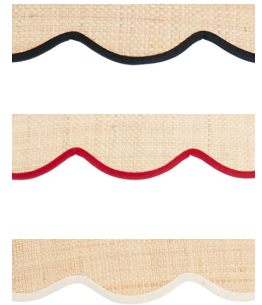
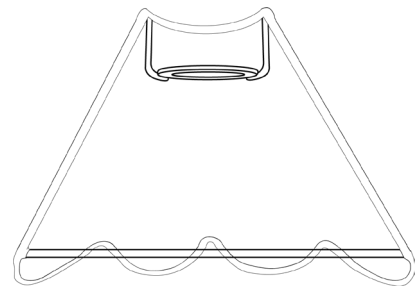


Wall Light Fitting



HALF MOON SCALLOP SHADE

PRODUCT DESCRIPTION

A Matilda Goad & Co. signature adapted for the modern home.

COMPOSITION & CARE

Raffa, with a cotton trim. Lined with cream cotton to create a diffused light. Available with trim colours: Black and Cream.

DIMENSIONS

Base: 26cm

Height: 20cm

Cross Bar:

24.5cm wide, 13.5cm from top of shade.

WALL LIGHT FITTING

Suitable for UK/EU fittings.

Not suitable for US fittings: we recommend consulting a local electrician before purchase about rewiring your base.

FITTING SPECIFICATIONS

Bulb: Standard R27 LED bulb, 4W.

2x Shade Reducers included if needed for any smaller sized fittings. Position these reducers above and below the shade carrier washer, and secure into place by tightening the shade rings supplied with your lamp base.

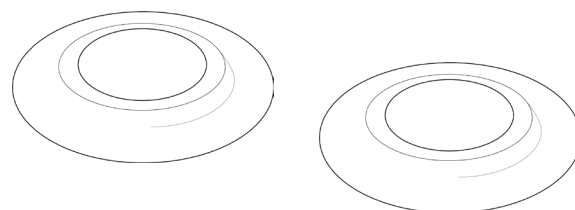
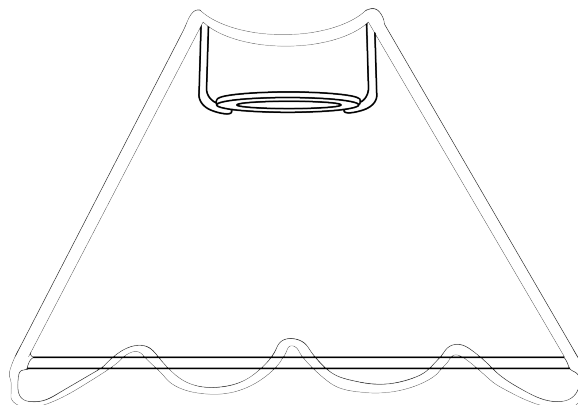
More information on fittings overleaf.

HALF MOON LAMPSHADE FITTINGS

ES fitting

Our Half Moon Scallop Shade comes an ES Fitting attached at the top of the shade to fix onto a wall light, and is suitable for UK & EU lamp bases. To fit the shade onto a UK base, you will need to use the shade reducers included in your package.

Suitable for: UK/EU



Shade Reducers

Shade Reducers are included with your lampshade. If your wall fitting is UK compatible, you will need to use these reducers to fit the shade on securely to the base. Position the shade reducers above and below the shade carrier washer to fit the carrier snugly to the base, and secure with the shade ring usually found on lamps. Two are included per lampshade.

Suitable for: UK/EU