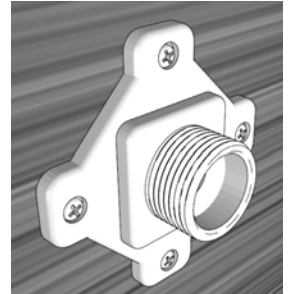
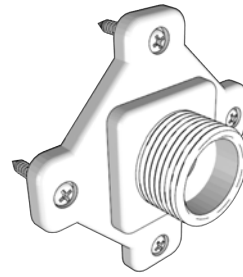


Setting up your device with the bracket

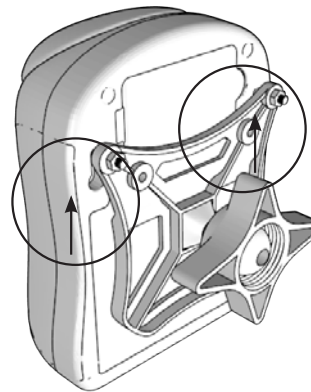
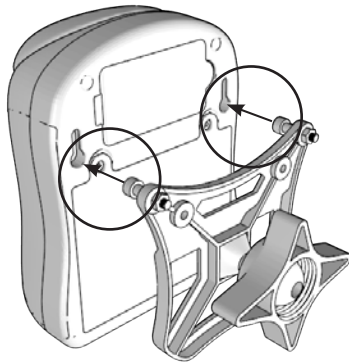
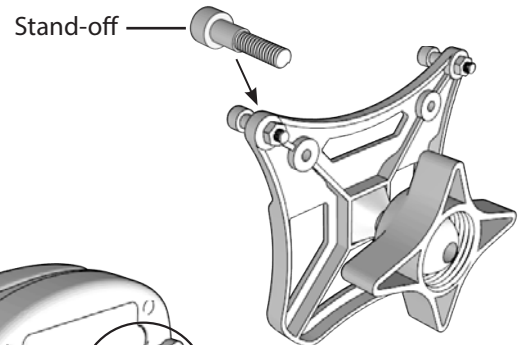
1. Pick your mounting spot and attach the base.

- Mark the location using the base as a template.
- Drill pilot holes using a 5/64" drill bit.
- Attach the base by tightening the screws into the mounting surface.



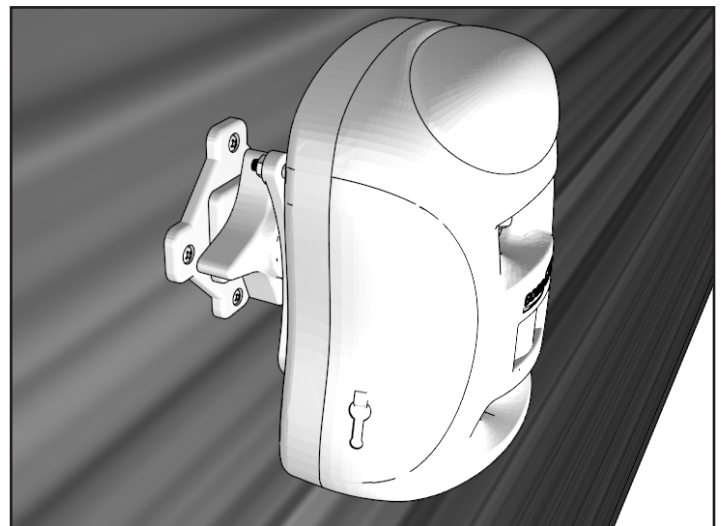
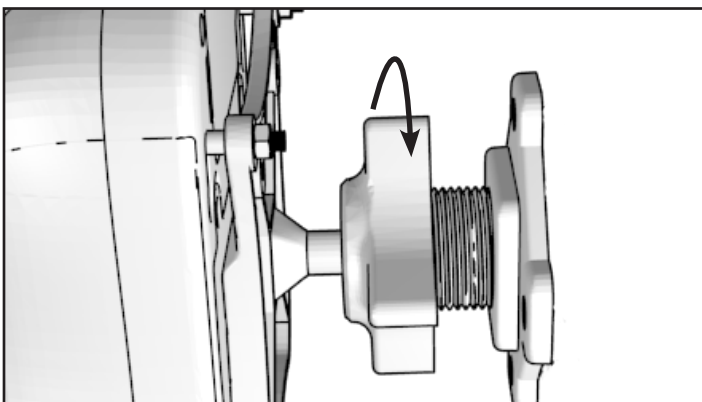
2. Attach the mounting adapter to the device.

- Put the stand-offs in the holes for your specific device. The Guardian [shown] uses the wider set of holes, the Dog Silencer uses the narrower set.
- Tighten the nuts to the stand-offs.
- Slip the stand-offs into the slots on the device, and slide the mounting plate up.



3. Secure the mounting adapter to the base.

Position the ball joint in the socket, then tighten the wing nut to secure the assembly.



Maximum tilt angle: 30°