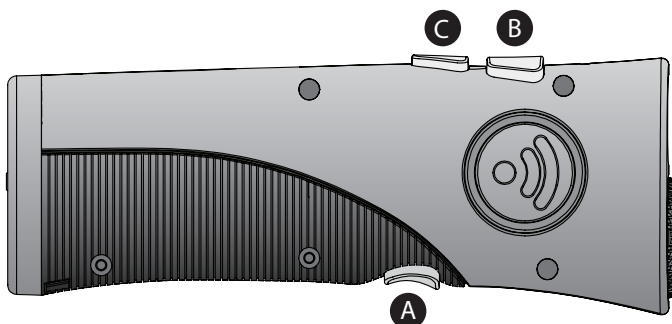


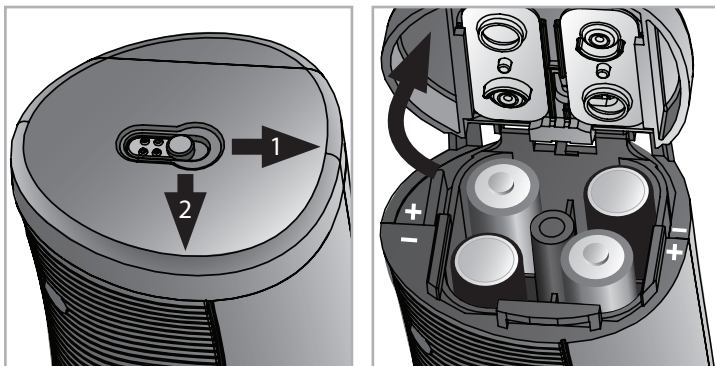
Included In This Package

- OnGuard™ handheld trainer
- Wrist lanyard
- User guide



Sold Separately

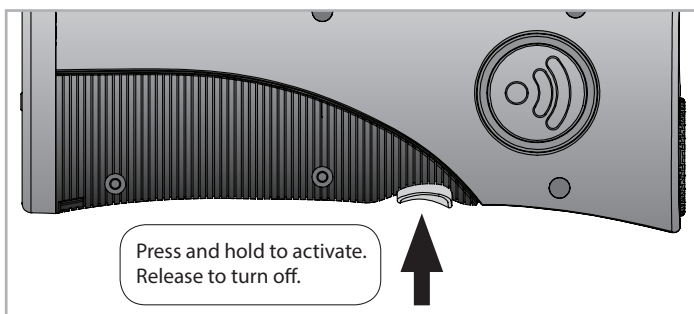
- (4) AA batteries (required for operation)



Locate the battery compartment on the bottom of the unit. To open the battery compartment door, first push the slider button forward to unlock, then slide it sideways to open. Insert batteries next to the corresponding **+** and **-** marks printed inside. Close the door firmly to feel the lock snap into place.

Getting Started

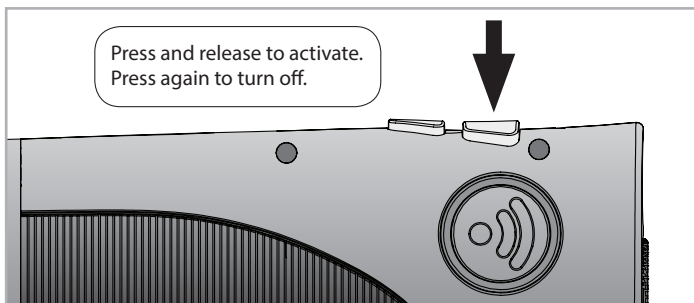
The OnGuard™ handheld trainer allows you to train your dog with the push of a button, and it doubles as a personal safety device with its optional panic alarm and LED flashlight. The OnGuard™ offers 3 functions:



1 Ultrasonic Output

Press and hold the Ultrasonic button down to activate a constant sound only the dog will hear. An LED light on the top of the unit will indicate that ultrasonic sound is being emitted. Release the button to turn the Ultrasonic sound off.

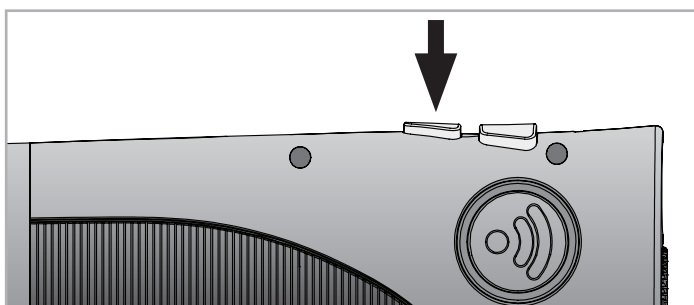
Be sure to point the device directly at the dog being targeted during use.



2 Audible Alarm

Press the Alarm button once to activate, and press it again to turn it off. In an emergency situation the alarm can be activated (and stay on) to draw attention to your situation and location.

This feature can also be used to train dogs who cannot hear ultrasonic sound.



3 High-Output LED Flashlight

Press the Light button once for a constant light. Press a second time for the strobe option. Press a third time to turn the light off.

Features & Specifications

- Train dogs up to 50 feet away
- Loud, pulsing alarm for personal safety use
- Ultra bright LED Flashlight with amplifying reflector
- LED indicator (on top of unit) lights up when ultrasonic button is pressed
- Ergonomic hand grip with smooth dual tone rubber coating
- Wrist lanyard attachment included
- Ultrasonic output: +105 dB @ 1 meter
- Audible Alarm Output: +105 dB @ 1 meter
- Light Output: 4,800 lux @ 1 ft.
- Uses (4) AA batteries (sold separately)

Tips For Success

Ultrasonic sound cannot pass through walls, wood fences or other solid barriers. Make sure your OnGuard™ has a clear line of sight to the dog(s) you wish to deter.

Due to the powerful nature of this product, it is not recommended for use on puppies under 12 months old.

Safety

Use only as directed. Do not aim the OnGuard™ directly at your eyes or ears.

Use of the OnGuard™ product in no way constitutes an express or implied guarantee of personal safety from vicious animals.

Returns & Warranties

Don't worry, we've got you covered! Your OnGuard™ is backed by our 90-Day Money-Back Guarantee and 1 Year Manufacturer's Warranty.

If you purchased your OnGuard™ from a retail location, please contact the store for return details. If you purchased directly through Good Life®, please visit ultimatebarkcontrol.com/pages/returns-exchanges or contact us using the information below for full details.

Toll Free: 1-800-657-8214
Outside US: 1-541-245-4488

Website: ultimatebarkcontrol.com
Email: customerservice@goodlifeinc.com



RADIO AND TELEVISION INTERFERENCE

This equipment has been tested and found to comply with the limits for a Class B digital device, pursuant to Part 15 of the FCC rules. These limits are designed to provide reasonable protection against harmful interference in a residential installation. This equipment generates, uses and can radiate radio frequency energy and, if not installed and used in accordance with the instructions, may cause harmful interference to radio communications. However, there is no guarantee that interference will not occur in a particular installation. If this equipment does cause harmful interference to radio or television reception, which can be determined by turning the equipment off and on, the user is encouraged to try to correct the interference by one or more of the following measures:

- Reorient or relocate the receiving antenna.
- Increase the separation between the equipment and the receiver.
- Connect the equipment into an outlet on a circuit different from that to which the receiver is connected.
- Consult the dealer or an experienced radio/TV technician for help.