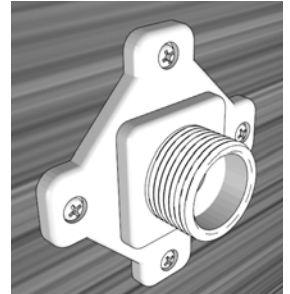
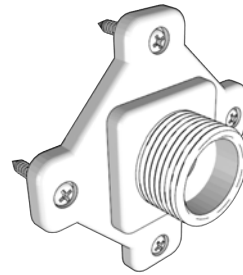


## Setting up your device with the bracket

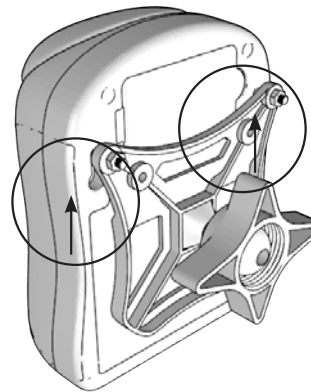
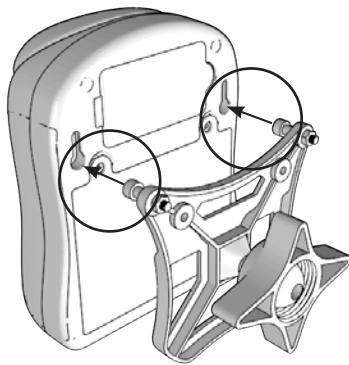
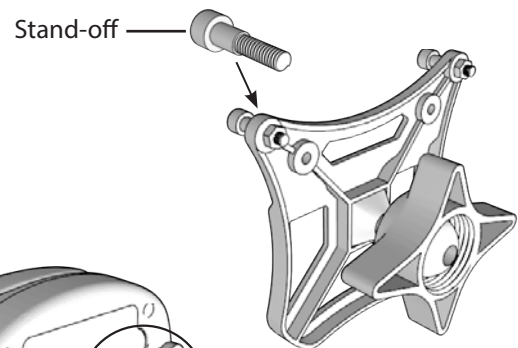
### 1. Pick your mounting spot and attach the base.

- Mark the location using the base as a template.
- Drill pilot holes using a 5/64" drill bit.
- Attach the base by tightening the screws into the mounting surface.



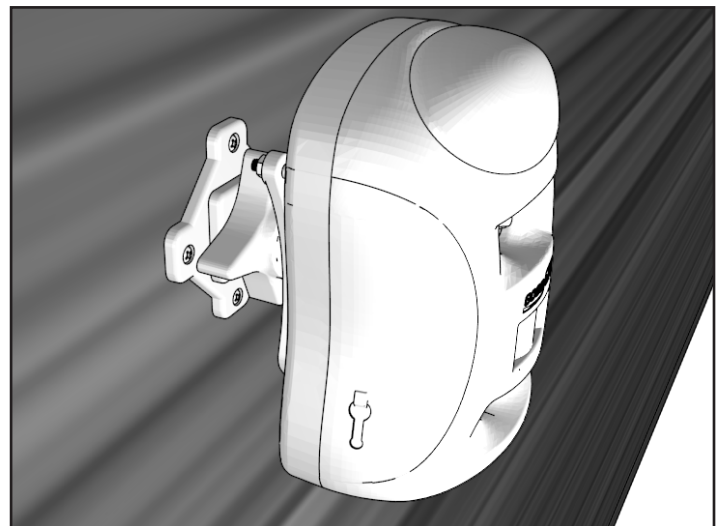
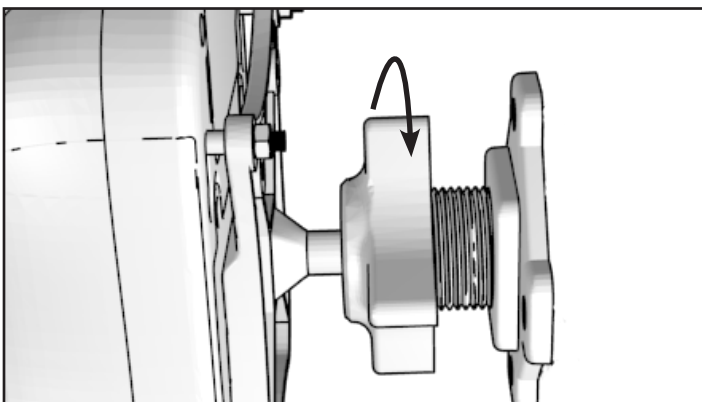
### 2. Attach the mounting adapter to the device.

- Put the stand-offs in the holes for your specific device. The Guardian [shown] uses the wider set of holes, the Dog Silencer uses the narrower set.
- Tighten the nuts to the stand-offs.
- Slip the stand-offs into the slots on the device, and slide the mounting plate up.



### 3. Secure the mounting adapter to the base.

Position the ball joint in the socket, then tighten the wing nut to secure the assembly.



Maximum tilt angle: 30°