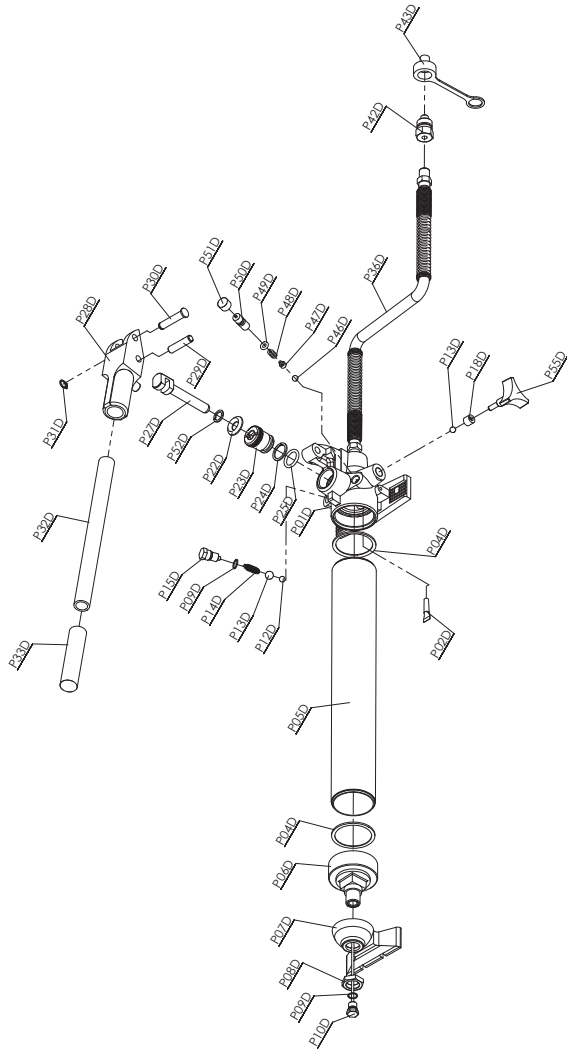
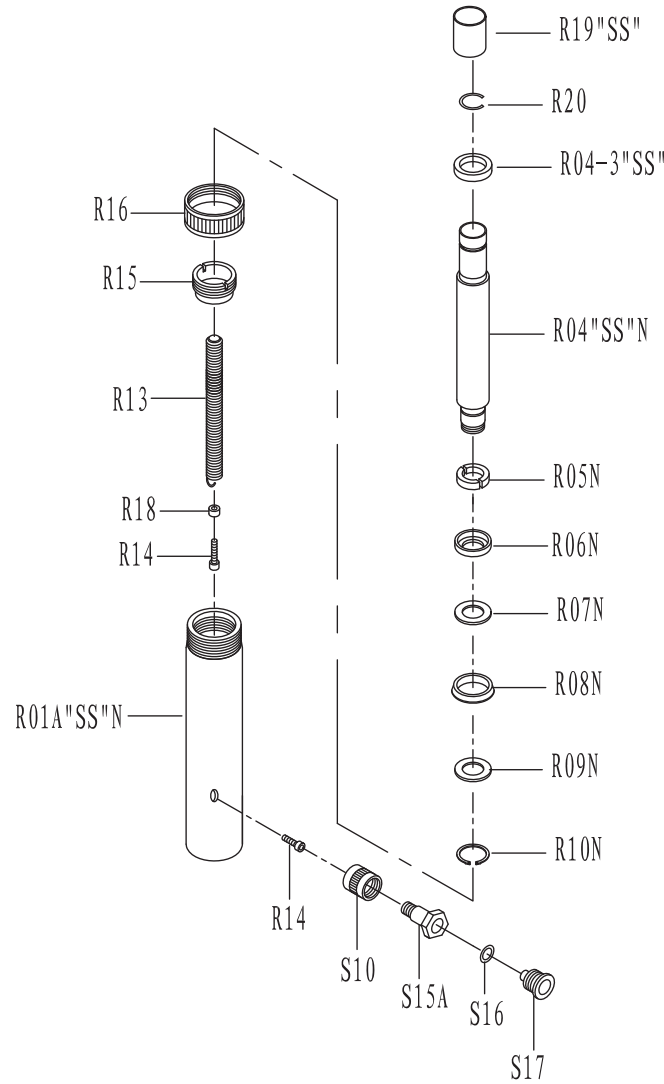


Hydraulic Pump Assembly 4 Ton Capacity



| Part No. | Description | Part No. | Description |
|----------|-------------------|----------|--------------------|
| P01D | Pump Housing | P28D | Pump Pivot Brm Arm |
| P02D | Filter | P29D | Pivot Arm Pin |
| P04D | Seal | P30D | Pivot Arm Pin |
| P05D | Pump Reservoir | P31D | Cir Clip |
| P06D | Reservoir End Cap | P32D | Pump Handle |
| P07D | Pump Foot | P33D | Grip |
| P08D | Nut-Housing | P36D | Hose |
| P09D | O-Ring | P42D | Coupling |
| P10D | Dip Stick | P43D | Dust Cap |
| P12D | Ball Valve | P46D | Ball Valve |
| P13D | Ball Valve | P47D | Spring Plunger |
| P14D | Spring | P48D | Spring |
| P15D | Overload Stem | P49D | O-Ring |
| P18D | Spacer | P50D | Screw |
| P22D | Seal | P51D | Cap |
| P23D | Cylinder | P52D | Back-up Ring |
| P24D | Back-up Ring | P55D | Release Valve Stem |
| P25D | O-Ring | | |
| P27D | Plunger | | |

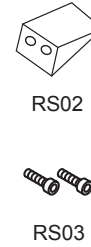
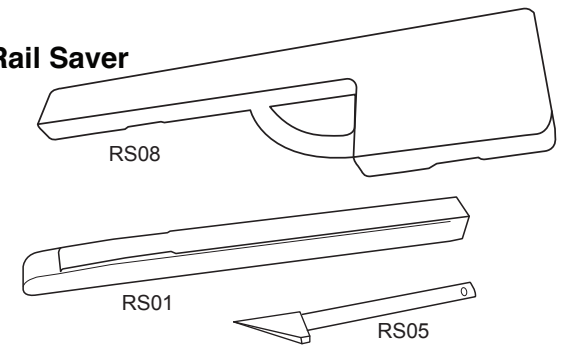
Hydraulic Ram Assembly 4 Ton Capacity



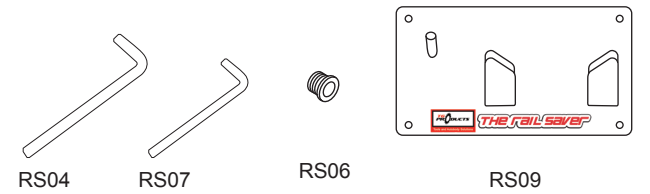
| Part No. | Description |
|----------|--------------|
| R01ASSN | Cylinder |
| R04SSN | Ram |
| R04-3SS | Bearing |
| R05N | Bearing |
| R06N | Bushing |
| R07N | Back-up Ring |
| R08N | U Seal |
| R09N | Washer |
| R10N | Cir Clip |
| R11 | Coupling |
| R13 | Spring |
| R14 | Screw |
| R15 | Ring |

| Part No. | Description |
|----------|---------------|
| R16 | Protector |
| R18 | Bushing |
| R19SS | Cover |
| R20 | Ring "C" |
| S10 | Coupling Ring |
| S15A | Coupling Blot |
| S16 | O-ring |
| S17 | Dust Cap |

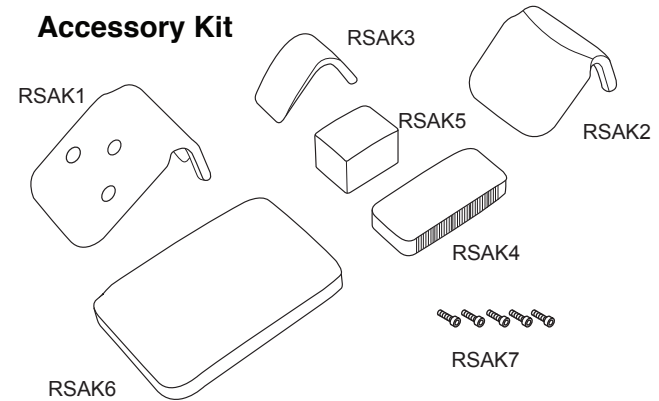
Rail Saver



| Part No. | Description |
|----------|--------------------------------|
| RS01 | Body |
| RS02 | Threaded Wedge |
| RS03 | 5/16-24x3/4" Button Head Screw |
| RS04 | 5/16 Hex Key |
| RS05 | Wedge Bar |
| RS06 | 5/16-24 1/4" Long |
| RS07 | 5/32 Hex Key |
| RS08 | Plastic Case |
| RS09 | Metal Wall Bracket |



Accessory Kit



| Part No. | Description |
|----------|--------------------------------|
| RSAK1 | Universal Mounting Pad |
| RSAK2 | Full Face Push Pad |
| RSAK3 | Half Face Push Pad |
| RSAK4 | 2" x 7/8" Threaded Push Pad |
| RSAK5 | 1" x 3/4" Threaded Push Pad |
| RSAK6 | 3" x 2" Threaded Finishing Pad |
| RSAK7 | M5 x 1mm x 10mm Phillips |