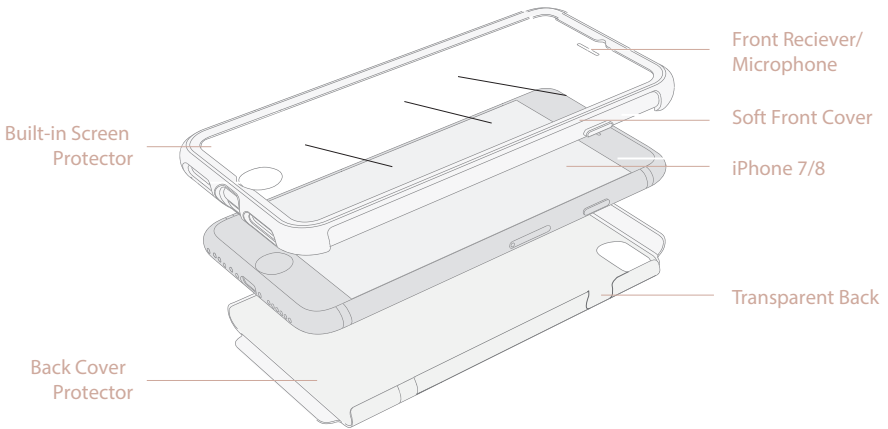


eSobala 7

Full-body Transparent Case
for iPhone 7 & 8



How To Install

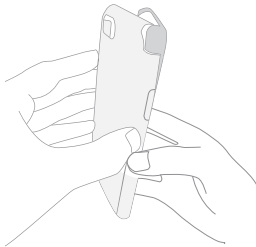
Visit newtrent.com/support/video.html
for a video instruction of eSobala 7

Note: Prior to installing your new eSobala case, peel off its inner & outer protective films. Additionally, remove all previously installed screen protectors to ensure proper fit. Clean your iPhone's screen and then follow the diagrams below for installation.

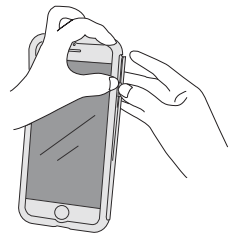
Step 1: Align the ports and insert the phone into the soft front cover.



Step 2: Put on the back cover, inserting the volume button side first. Make sure the volume buttons are aligned with the case's buttons.



Step 3: Now press in the power button side of the back case.



New Trent Inc.
San Jose, CA USA
Designed in California
Made in China

Contact Us:
www.newtrent.com/contact

Apple, the Apple logo, and iPhone are trademarks of Apple Inc., registered in the U.S. and other countries. Other company and product names mentioned herein are trademarks of their respective companies.