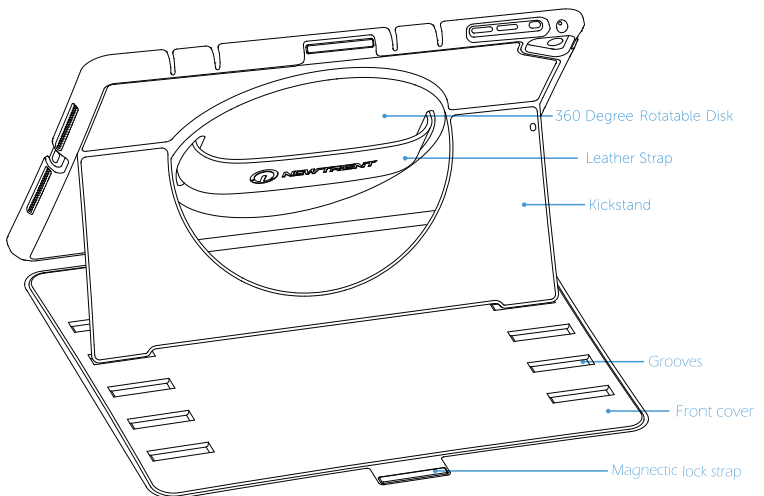
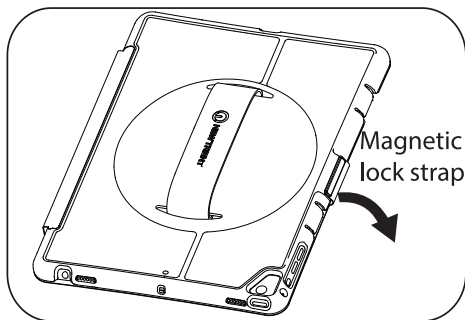


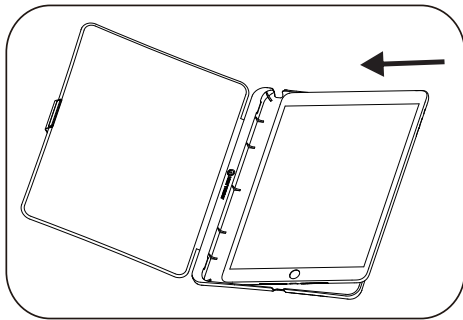
## Gladius NT617GR



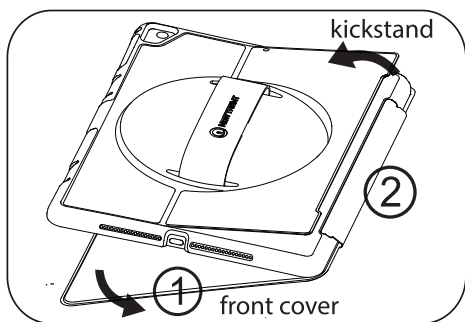
Please note: Before placing iPad into case, it is recommended to remove previously installed screen / case protectors to ensure a snug fit.



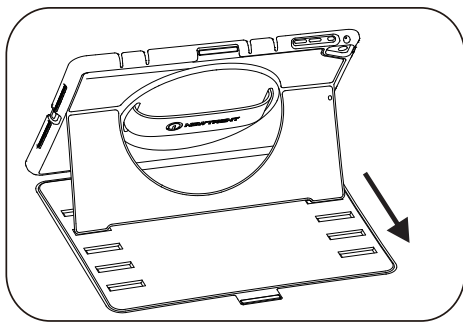
Unfasten the magnetic lock strap.



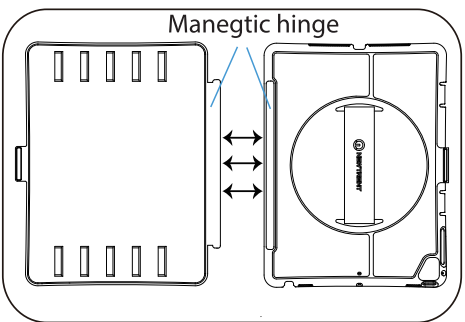
Place the iPad in the case, left side goes in first and clip on all sides.



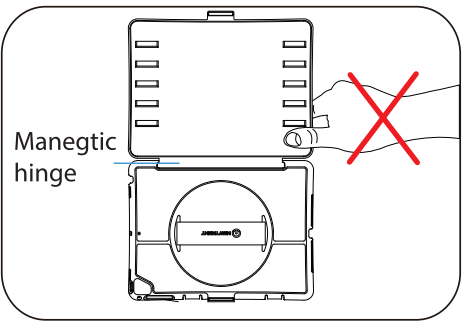
Flip the front cover over and pull out the kickstand to prop the iPad up into stand-up position.



The kickstand can be positioned / adjusted at different angles by placing it in the different grooves.



Detaching: Securely hold the iPad case. Then on the top right corner of the front cover, twist the magnetic hinge as you pull the two apart.



**!** TO AVOID DROPPING THE IPAD , PLEASE DO NOT USE THE IPAD CASE BY HOLDING THE FRONT COVER ONLY.

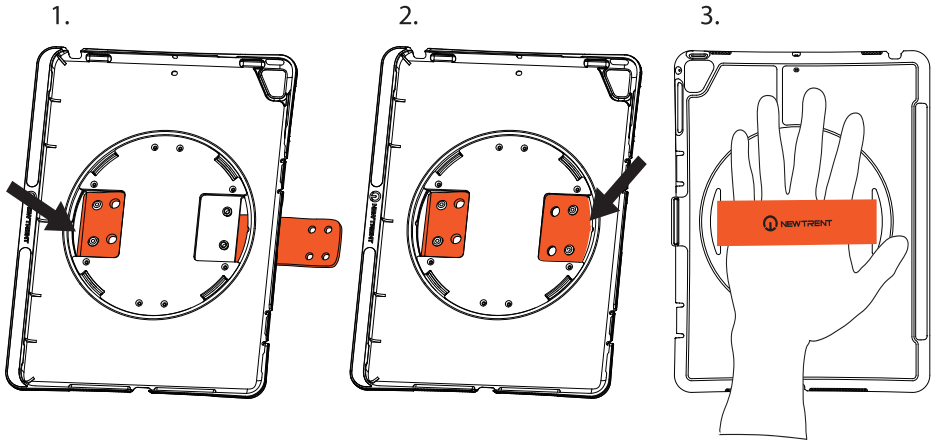
Video Instruction



Visit [newtrent.com/support/video.html](http://newtrent.com/support/video.html)  
for a video instruction of **NT 617GR**

Contact us at [www.newtrent.com/contact](http://www.newtrent.com/contact)

## ◆ Adjusting and Installing the Leather Strap



1. First, secure the leather strap over the pins on one side. Adjust the strap length relative to your hand size accordingly.
2. Secure the leather strap over the pins on the other side.
3. After securing the strap, insert the iPad into the case.
4. Use the leather strap to rotate the case.