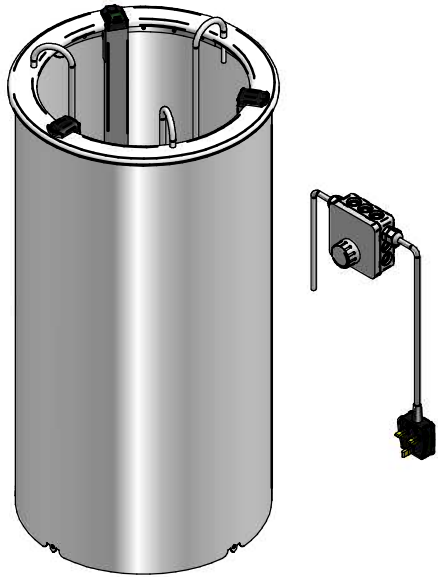
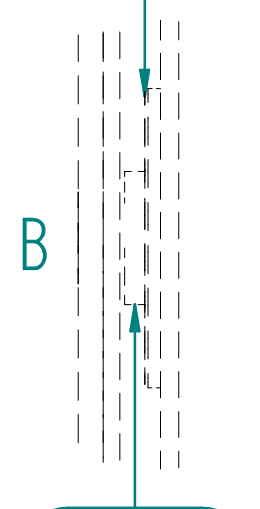


# components of drawing TH heated – switch in flange – BOX

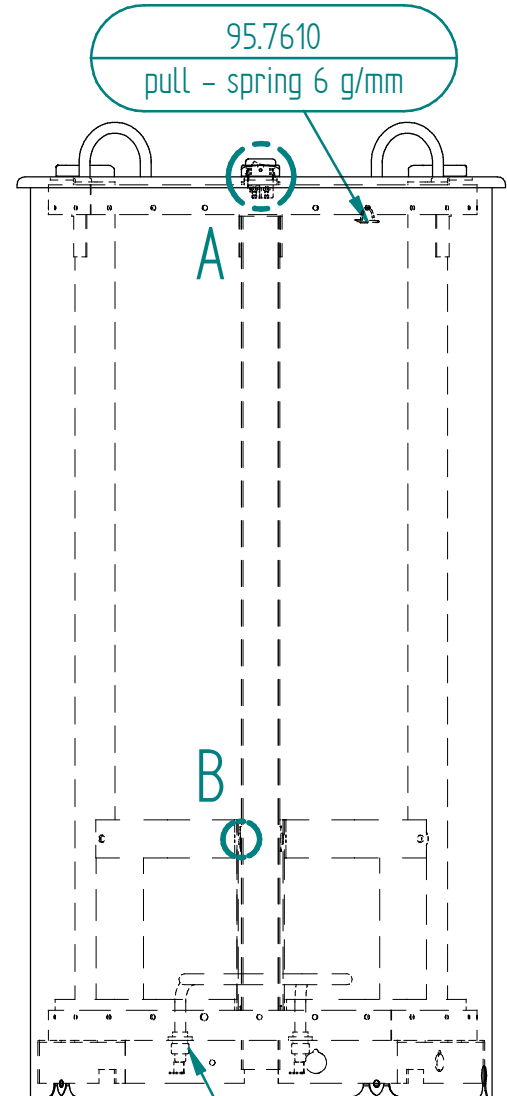


95.8320  
PTFE bearing

## DETAIL B



95.8310  
brass axle



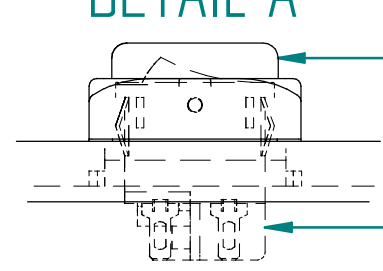
95.7610  
pull – spring 6 g/mm

A

B

95.7400  
heating element 230V-400W

## DETAIL A



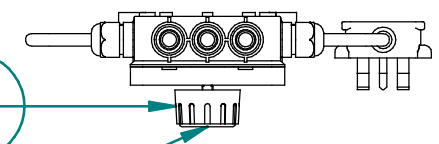
95.7170  
water shield cap for switch

95.7110.BOX  
switch with green pilot light

95.7065  
thermostat knob

95.7068  
cover with overprint MIN-MAX

95.7053  
thermostat 30-80°C



95.7101  
5 core cable

95.7058  
junction box

95.7106  
cable with plug

