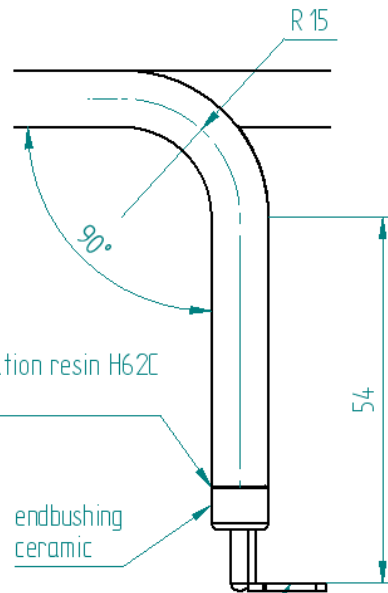


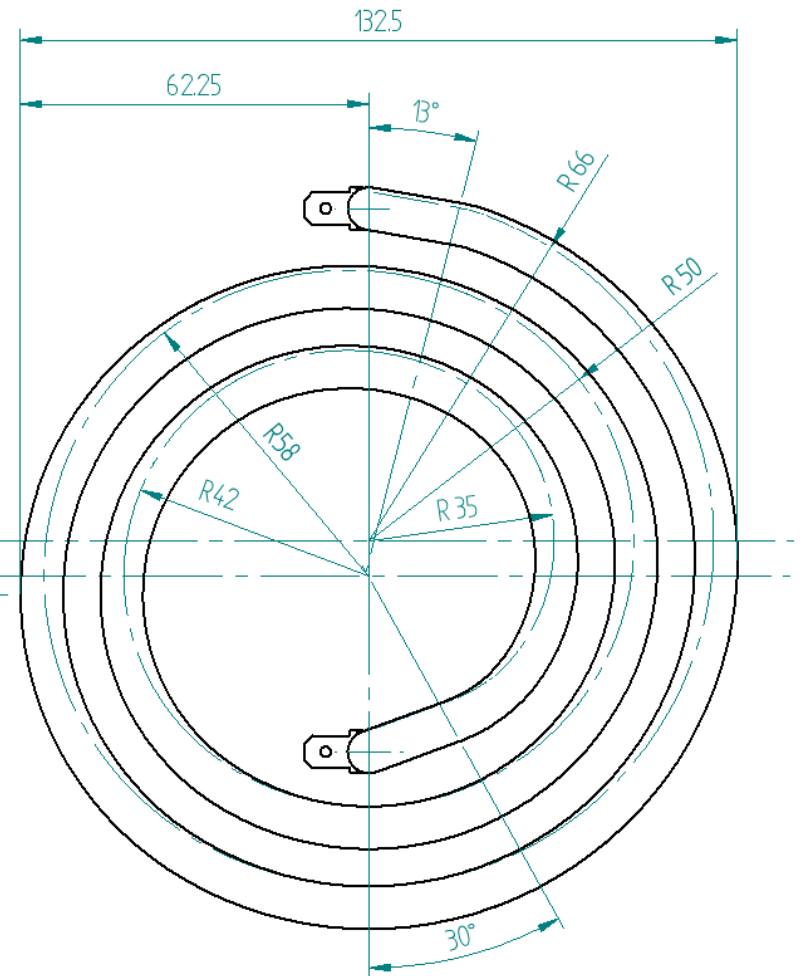
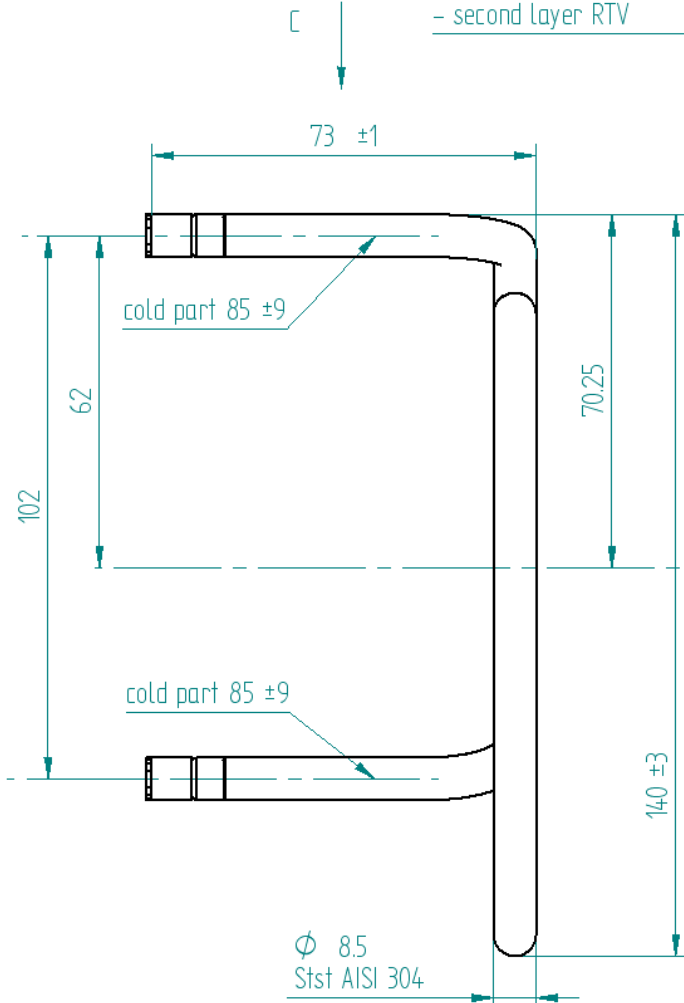
tolerances
 nom. measures & grades [tol]
 1 - 6 [+/- 0,5]
 6 - 30 [+/- 1]
 30 - 100 [+/- 2]
 100 - 300 [+/- 3]
 300 - 1000 [+/- 5]
 1000 - 2000 [+/- 7]
 2000 - 4000 [+/- 10]
 or specified in drawing/remarks

Sealing:
 - first layer Silicone impregnation resin H62C
 - second layer RTV

VIEW C



endbushing ceramic
 AMP faston 6,3 x 0,8 stainless steel



| | | | |
|--|--------------------------|----------------|-------|
| Drw.Nr: 95.7401 | Rev: a | Units: mm | Proj: |
| Art.Nr: 95.7401 | Drawn by: mr | Date: 08-10-08 | |
| Description: | Checked by: mr | Date: 08-10-08 | |
| Verwarmingselement 230 V-400 W SOUP WELL | | | |
| Remarks: Tube length tolerance ± 1% | | | |
| Material: see text in drawing | | | |
| IR nr: | MOBILE CONTAINING | | |
| VR nr: | | | |