

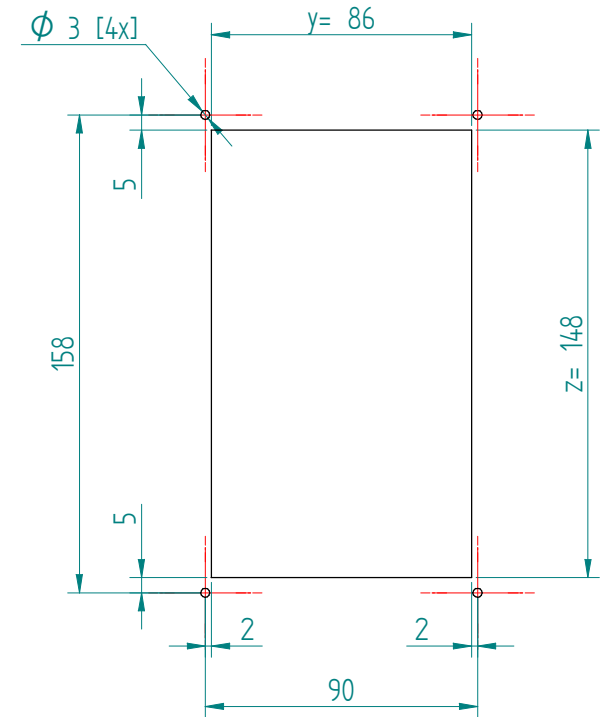
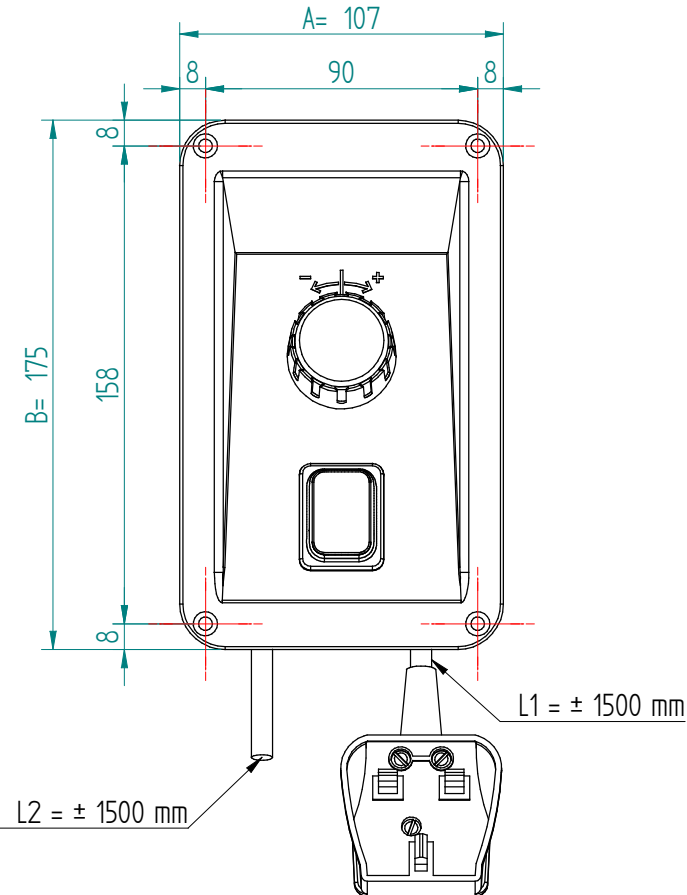
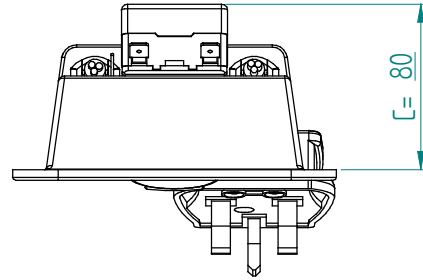
95.7002

Dimensions:

A x B = operating panel

C = build in depth

y x z = cut out operating panel



MUKL

VR :

IR :

**MOBILE CONTAINING**

L1 = length cable with plug

L2 = length cable between tube/Soep Well and operating panel