

Dispenser:

84.4040

ORT-MS/E

Dimensions:

A x B = trolley, excl. corner bumpers

E x F = trolley, incl. corner bumpers

l x b = tube internal

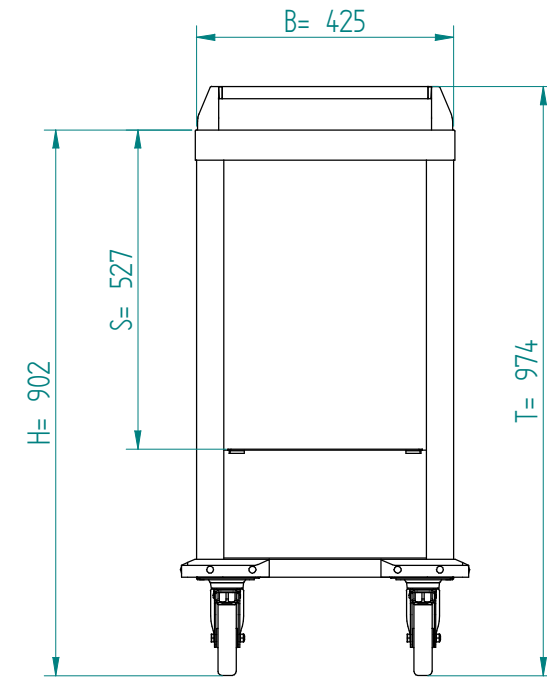
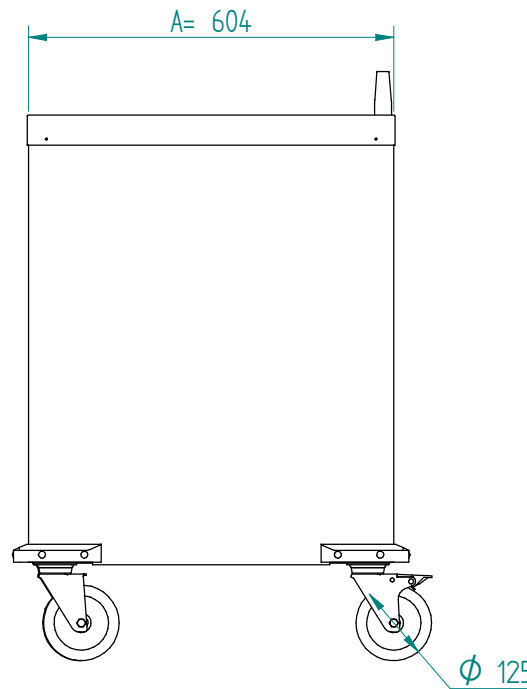
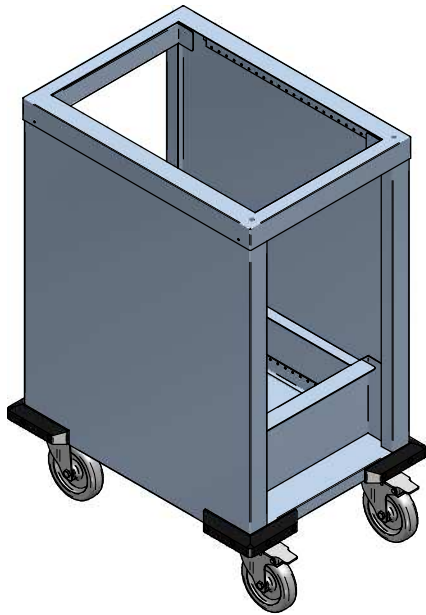
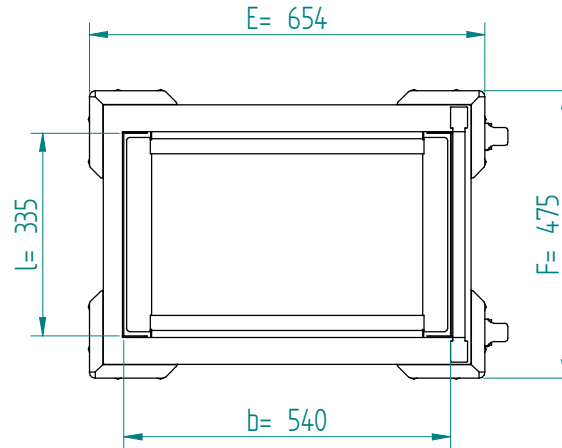
H = trolley height

S = effective stacking height

T = height with push bar

weight (empty): 30 kg

options, order separate;
push bar: 90.5003



EN

VR :

IR :

MOBILE CONTAINING

4 swivel castors, 2 with brake