

Dispenser:

82.4020

ORT-MS/C

Dimensions:

A x B = trolley, excl. corner bumpers

E x F = trolley, incl. corner bumpers

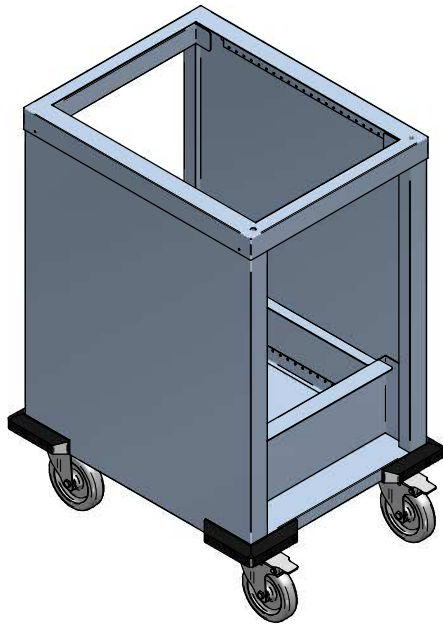
l x b = tube internal

H = trolley height

S = effective stacking height

T = height with push bar

weight (empty): 30 kg



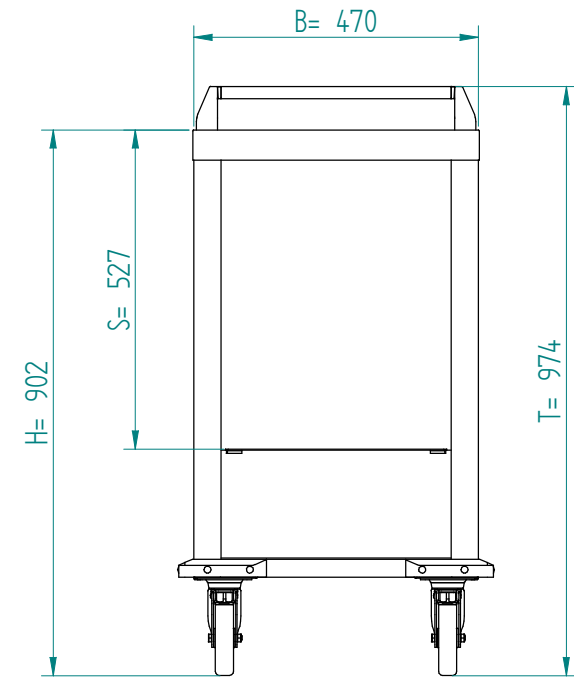
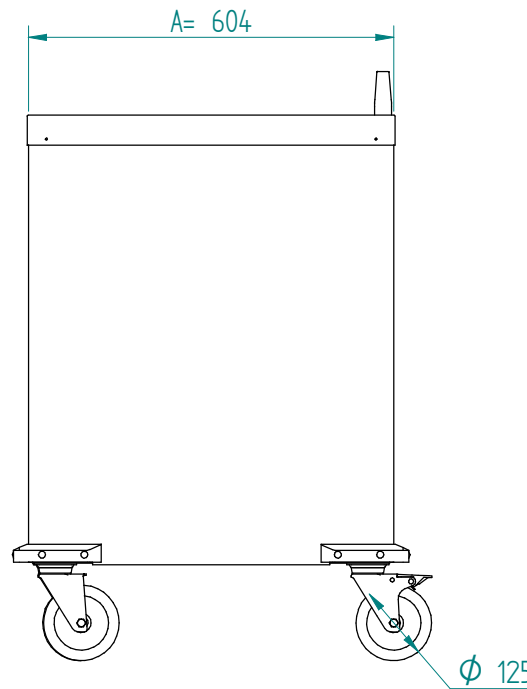
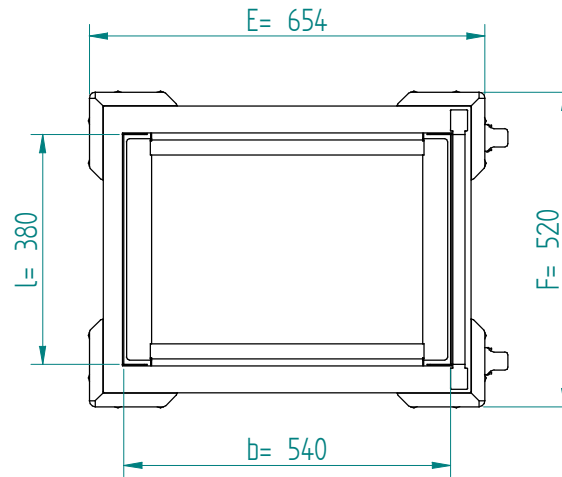
EN

VR :

IR :

MOBILE CONTAINING

options, order separate;
push bar: 90.5002



4 swivel castors, 2 with brake