

Dispenser:

81.4010

ORT-MS/B

Dimensions:

A x B = trolley, excl. corner bumpers

E x F = trolley, incl. corner bumpers

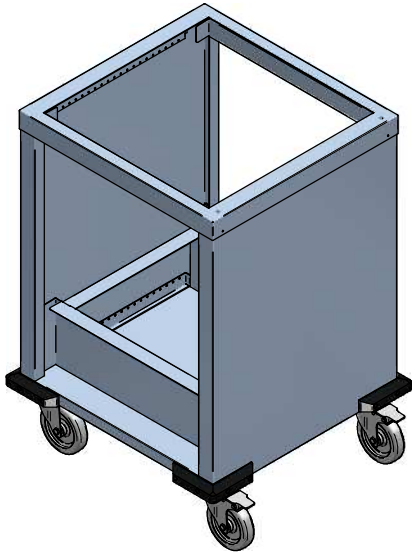
l x b = tube internal

H = trolley height

S = effective stacking height

T = height with push bar

weight (empty): 32 kg



EN

VR :

IR :

MOBILE CONTAINING

4 swivel castors, 2 with brake

options, order separate;
push bar: 90.5006

