

Dispenser:

80.4000

ORT-MS/A

Dimensions:

A x B = trolley, excl. corner bumpers

E x F = trolley, incl. corner bumpers

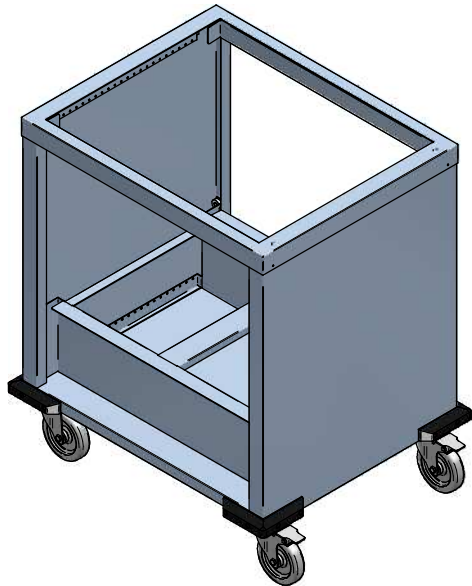
l x b = tube internal

H = trolley height

S = effective stacking height

T = height with push bar

weight (empty): 36 kg



EN

VR :

IR :

**MOBILE CONTAINING**

4 swivel castors, 2 with brake

options, order separate;  
push bar: 90.5006

