

Dispenser:

60.3780

OX-MS/E

Dimensions:

A x B = trolley, excl. corner bumpers

E x F = trolley, incl. corner bumpers

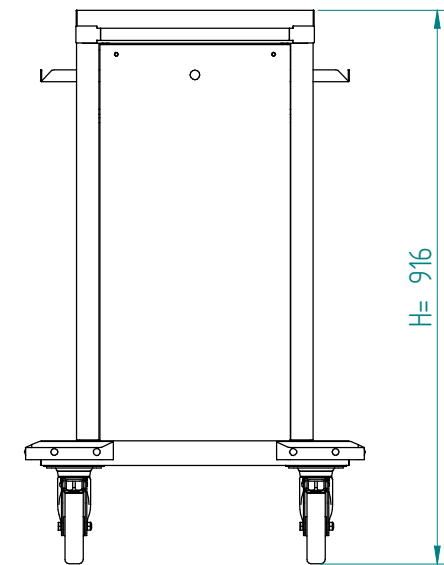
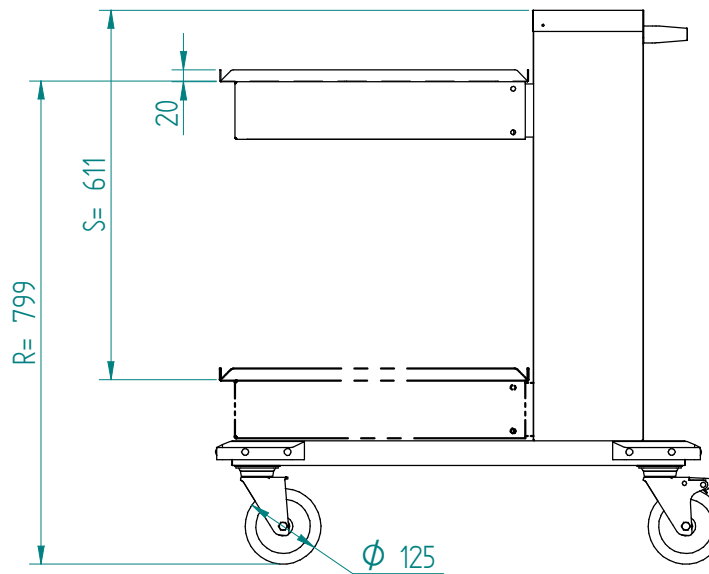
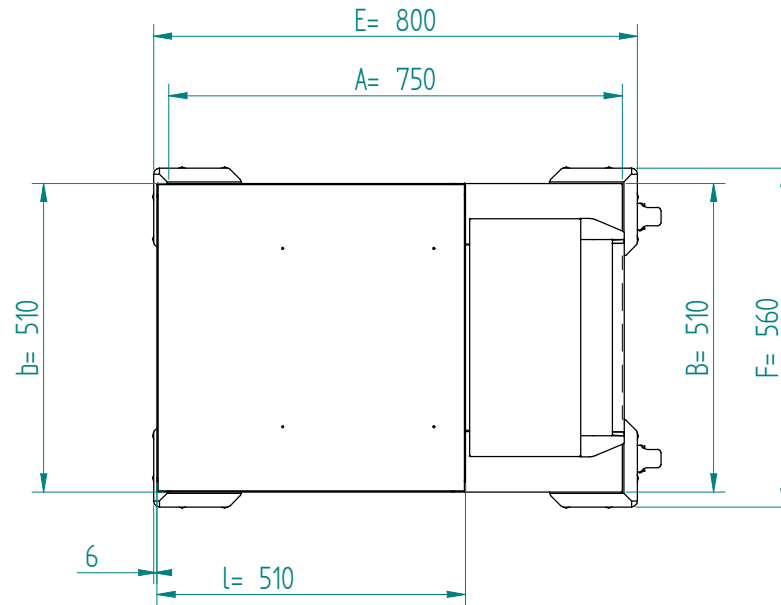
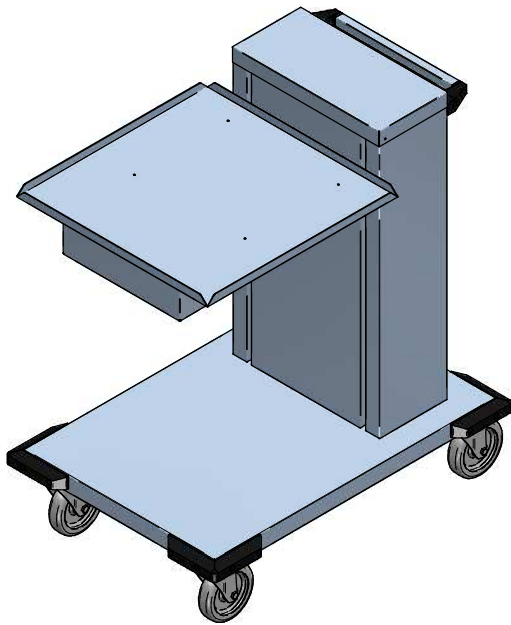
l x b = platform

H = trolley height

R = stacking level

S = effective stacking height

weight (empty): 30 kg



EN

VR :

IR :

**MOBILE CONTAINING**

4 swivel castors, 2 with brake