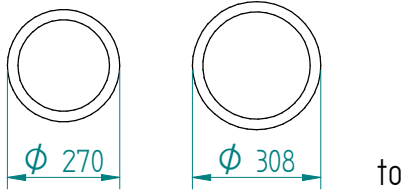
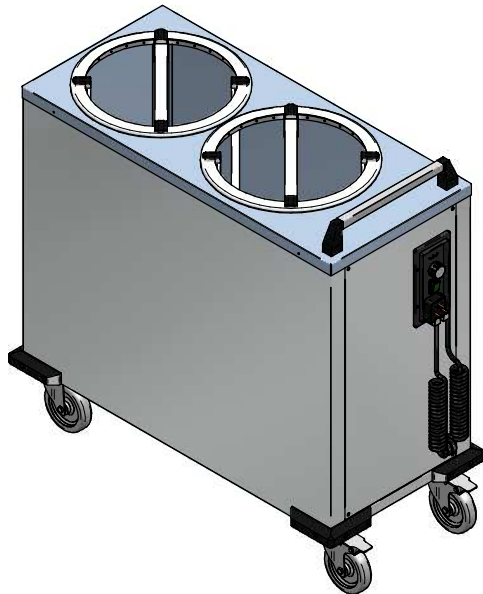


Dispenser: 30.3345 2 THNU-MS 310 fan heated heating element 230V-1750W

Crockery:



Dimensions: weight (empty): 59 kg
 A x B = trolley, excl. corner bumpers
 E x F = trolley, incl. corner bumpers
 H = trolley height
 S = effective stacking height
 T = height with push bar

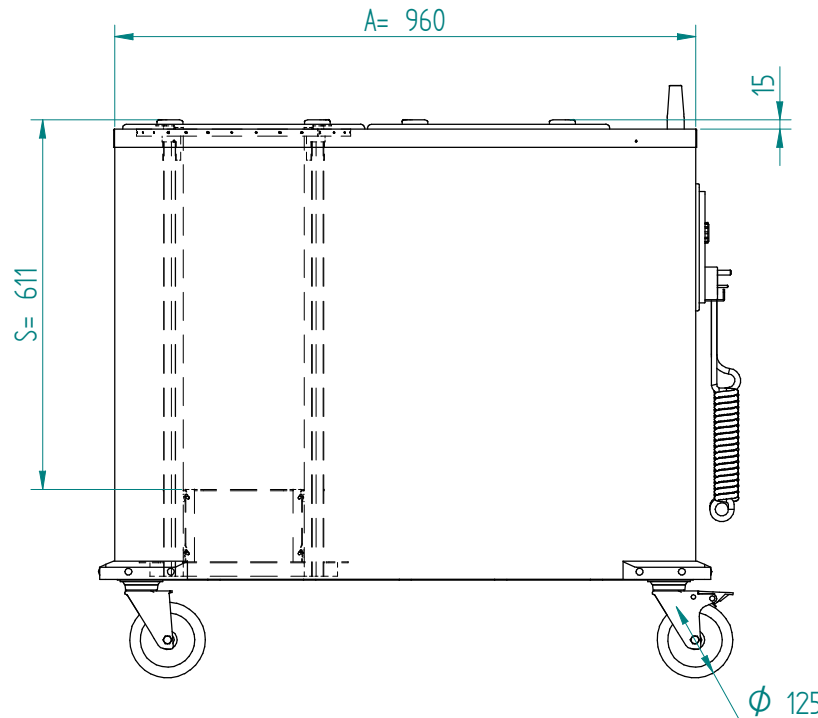
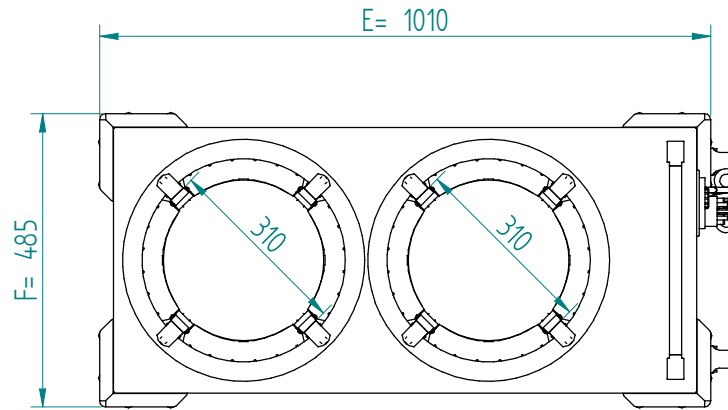


MUKL

VR :

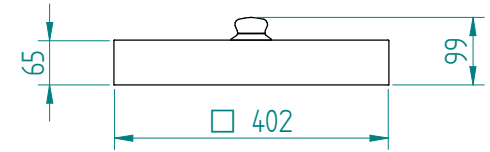
IR :

MOBILE CONTAINING



4 swivel castors, 2 with brake

options, order separate;
 stst cover: 92.5095



pc cover: 91.5040

