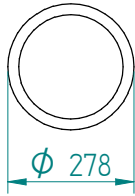
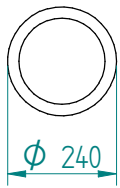


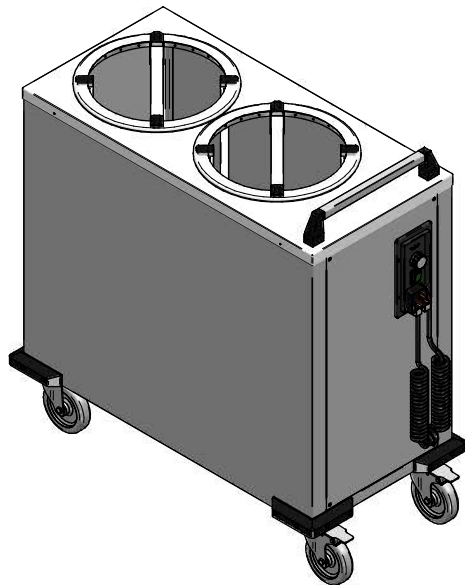
Dispenser: 30.3335 2 THNU-MS 280 fan heated heating element 230V-1750W

Crockery:



from ϕ 240 to ϕ 278

Dimensions: weight (empty): 57 kg
 A x B = trolley, excl. corner bumpers
 E x F = trolley, incl. corner bumpers
 H = trolley height
 S = effective stacking height
 T = height with push bar

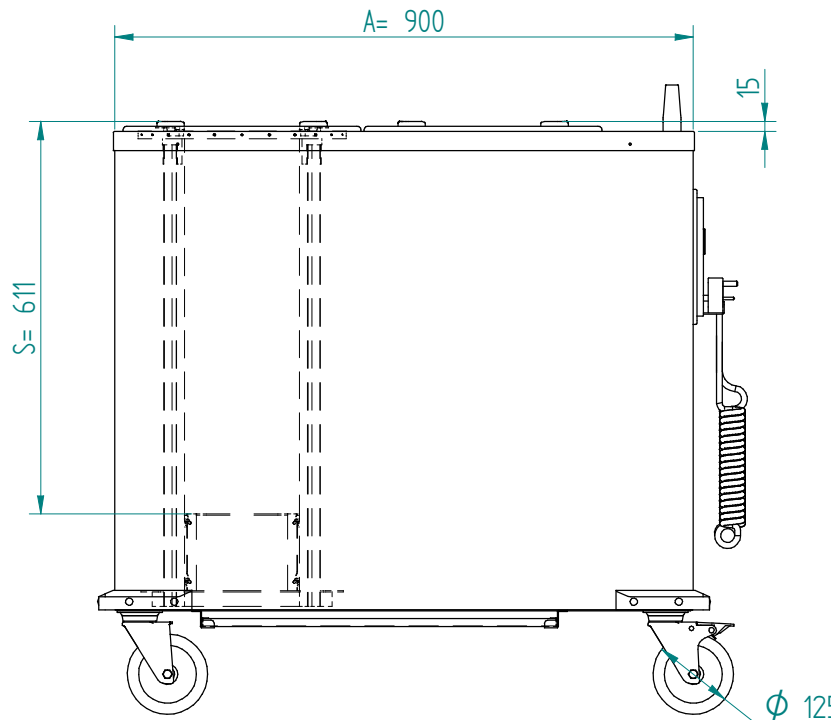
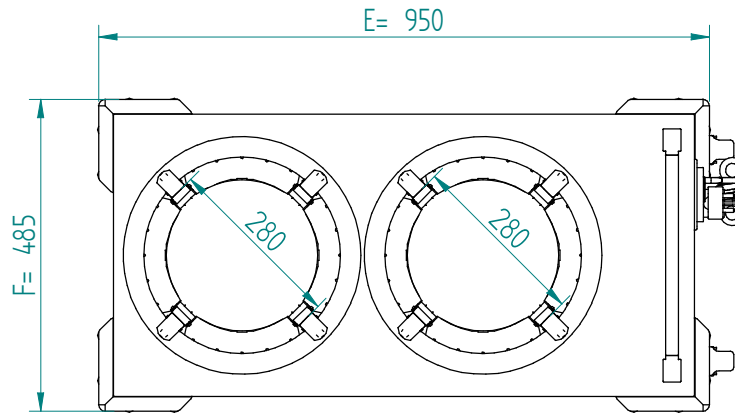


MUKL

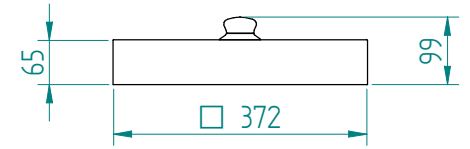
VR :

IR :

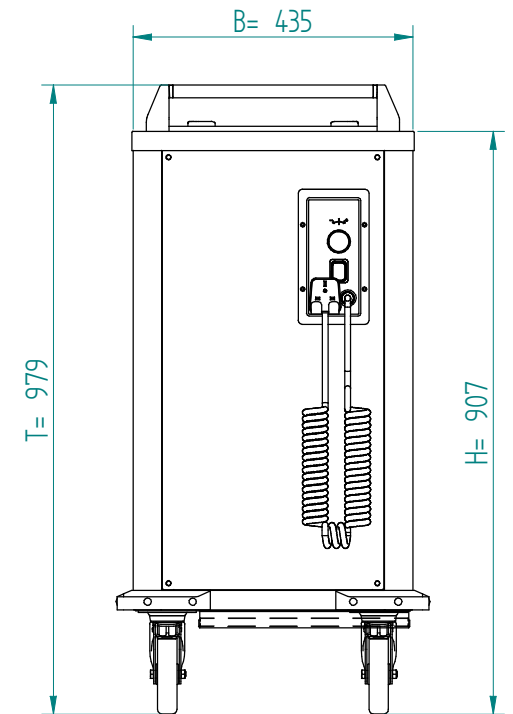
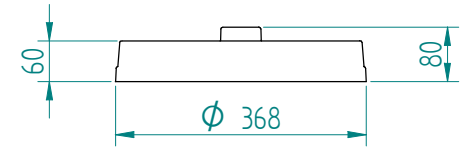
MOBILE CONTAINING



options, order separate;
 stst cover: 92.5085



pc cover: 91.5030



4 swivel castors, 2 with brake