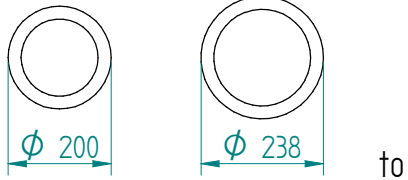
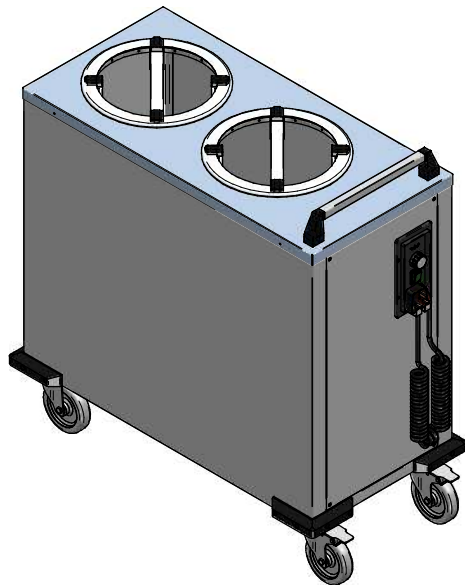


Dispenser: 30.3325 2 THNU-MS 240 fan heated heating element 230V-1750W

Crockery:



Dimensions: weight (empty): 57 kg  
 A x B = trolley, excl. corner bumpers  
 E x F = trolley, incl. corner bumpers  
 H = trolley height  
 S = effective stacking height  
 T = height with push bar

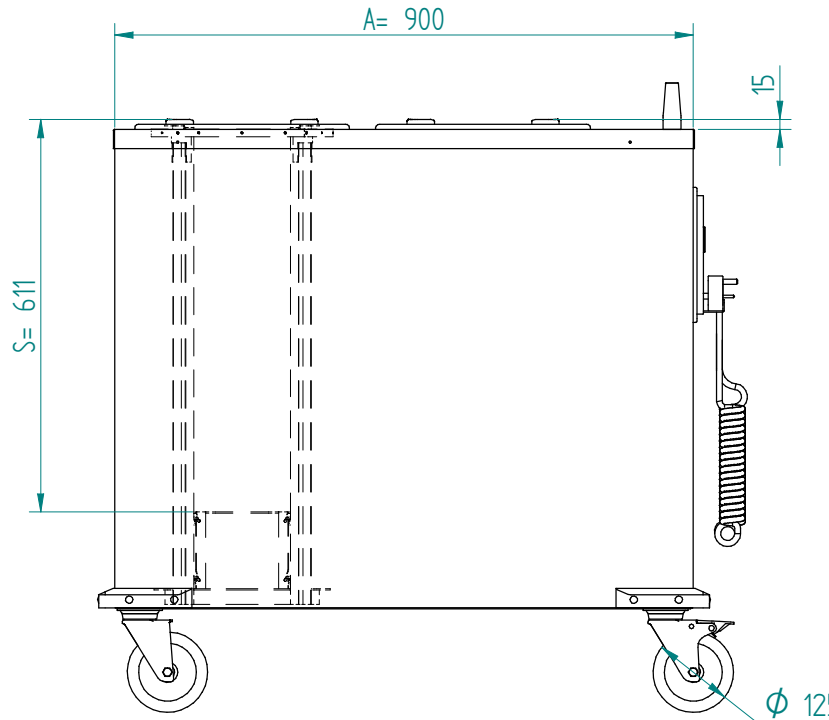
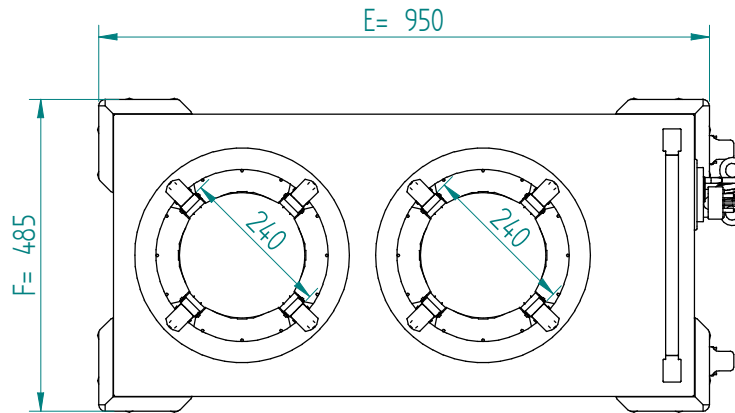


MUKL

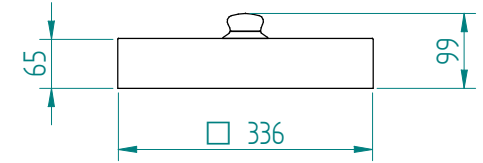
VR :

IR :

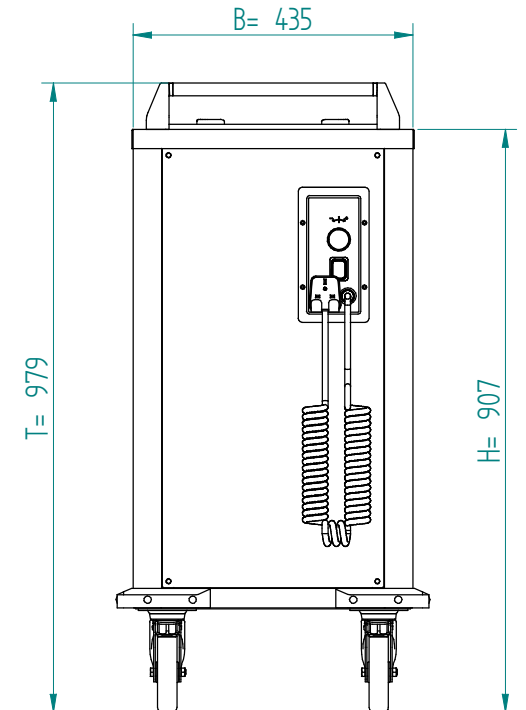
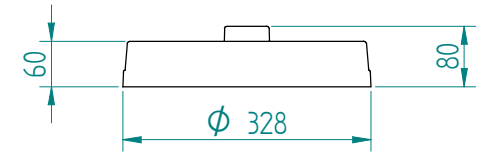
**MOBILE CONTAINING**



options, order separate;  
 stst cover: 92.5075



pc cover: 91.5020



4 swivel castors, 2 with brake