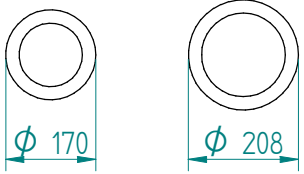


Dispenser: 21.2889 2 THN-MS/210

heating element 230V-1600W

Crockery:



from $\phi 170$ to $\phi 208$

Dimensions: weight (empty): 52 kg

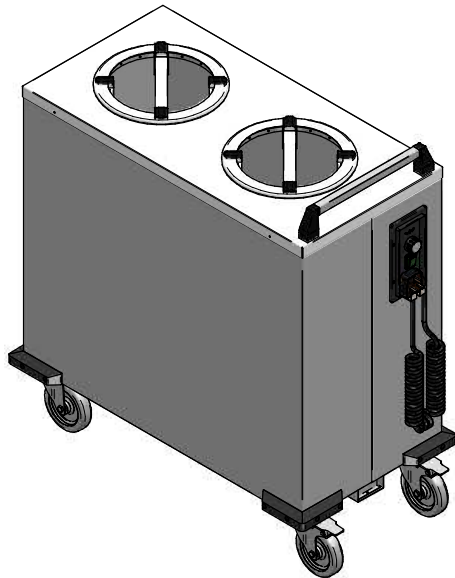
A x B = trolley, excl. corner bumpers

E x F = trolley, incl. corner bumpers

H = trolley height

S = effective stacking height

T = height with push bar

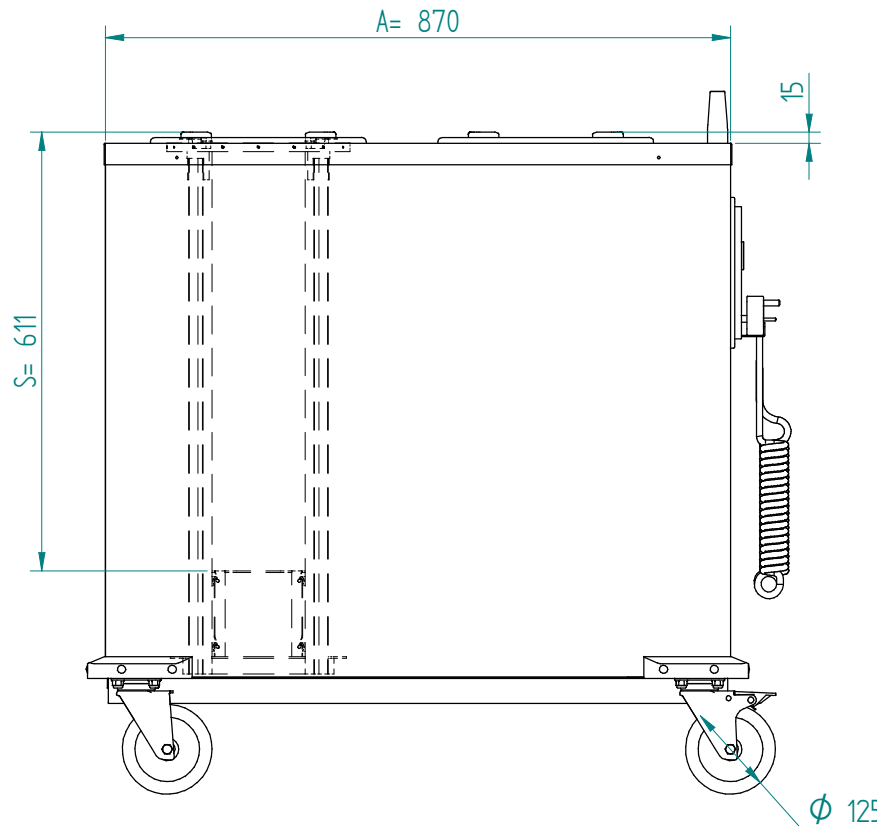
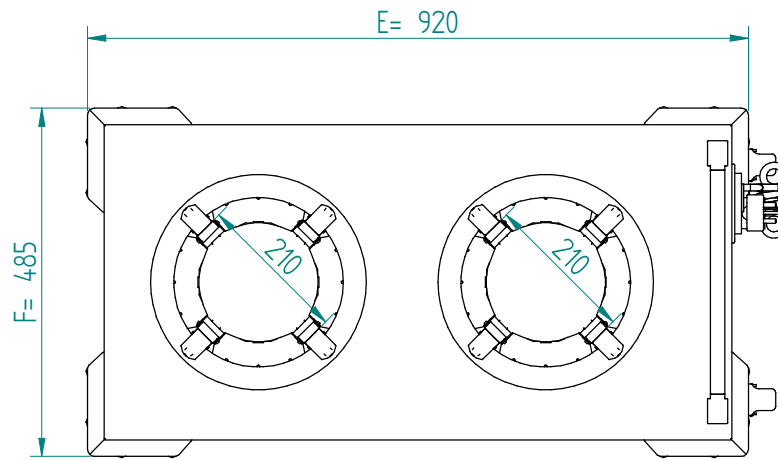


MUKL

VR :

IR :

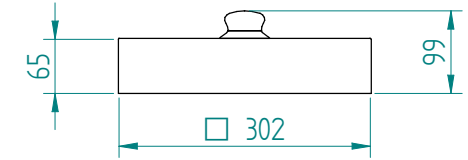
MOBILE CONTAINING



4 swivel castors, 2 with brake

options, order separate;

stst cover: 92.5065



pc cover: 91.5015

