

Model: 08.2057 Soup Well

heating element 230V-400W

Dimensions:

A = flange

C = diameter

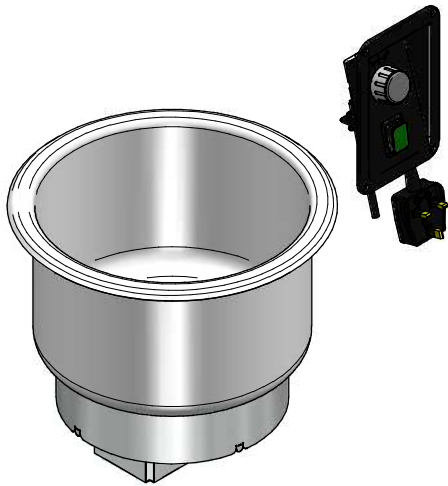
E = cut out

G = build in height

J = build in height with drainkit

y x z = cut out operating panel

weight (empty): 7 kg

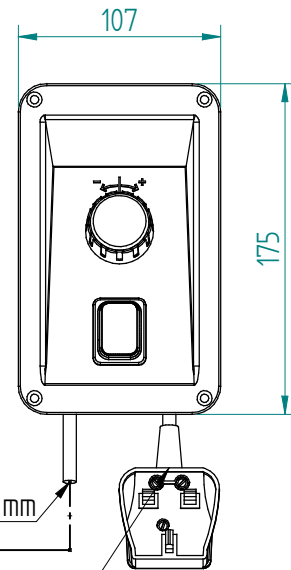
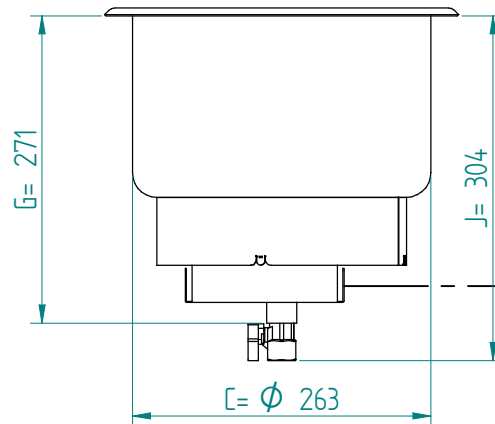
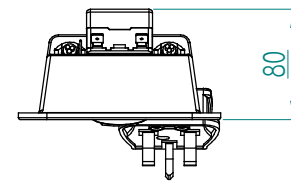
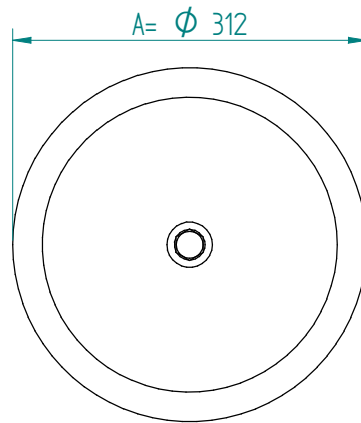
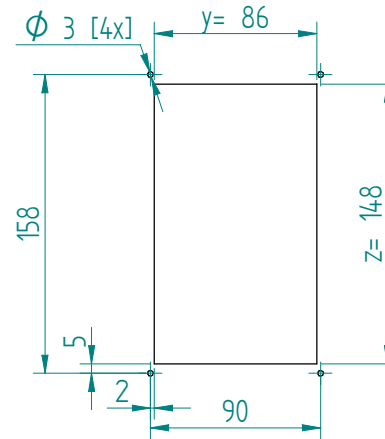
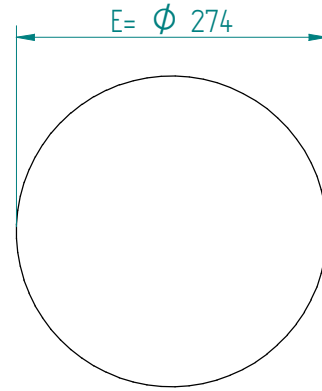


MUKL

VR :

IR :

**MOBILE CONTAINING**



L1 = length cable with plug

L2 = length cable between Soup Well and operating panel