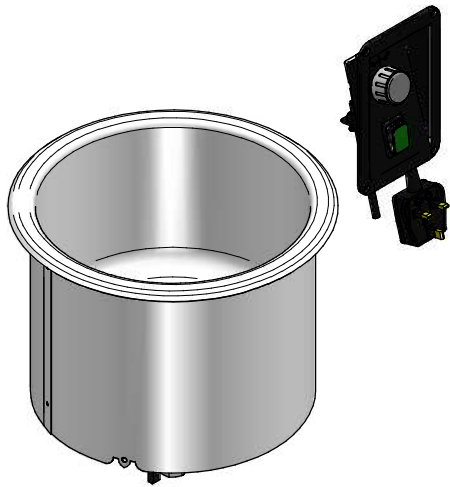


Model: 08.2053V Soup Well
 heating element 230V-350W

Dimensions:
 A = flange
 C = diameter
 E = cut out
 G = build in height
 H = height above counter with
 soup pot and lid
 J = build in height with drainkit
 y x z = cut out operating panel

weight (empty): 6 kg

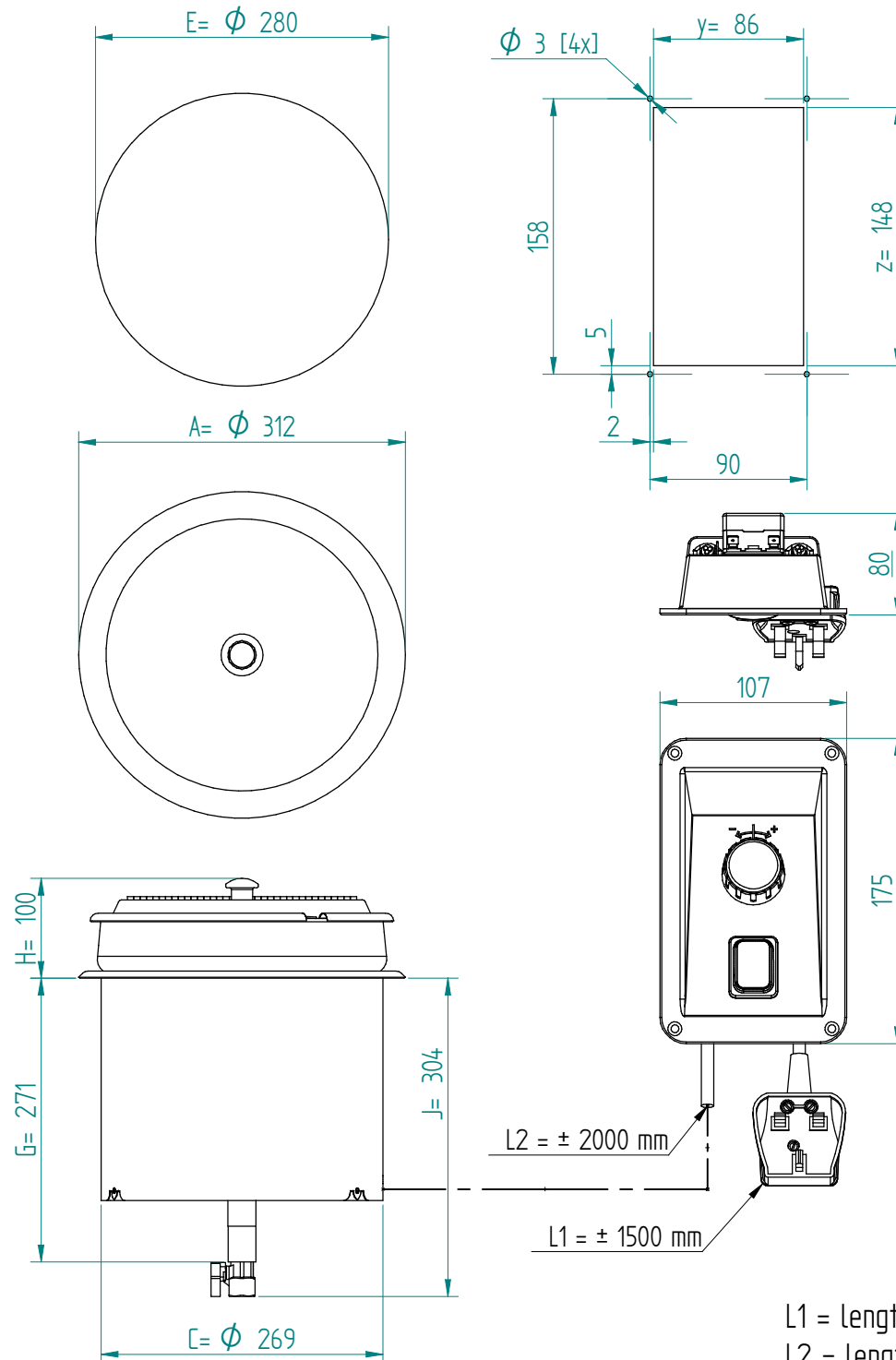


MUKL

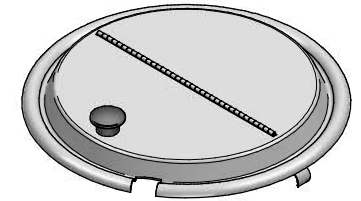
VR :

IR :

MOBILE CONTAINING



Hinged lid with ladle notch:
 47490



Soup pot:
 78204



L1 = length cable with plug
 L2 = length cable between Soup Well and operating panel