

Dispenser:

07.2050.B0

Napkindispenser

Dimensions:

A x B = flange

E x F = cut out

l x b = tube internal

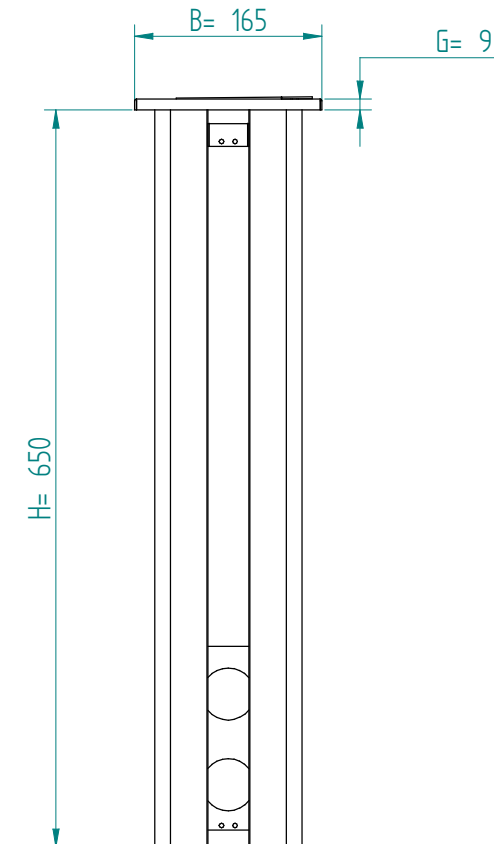
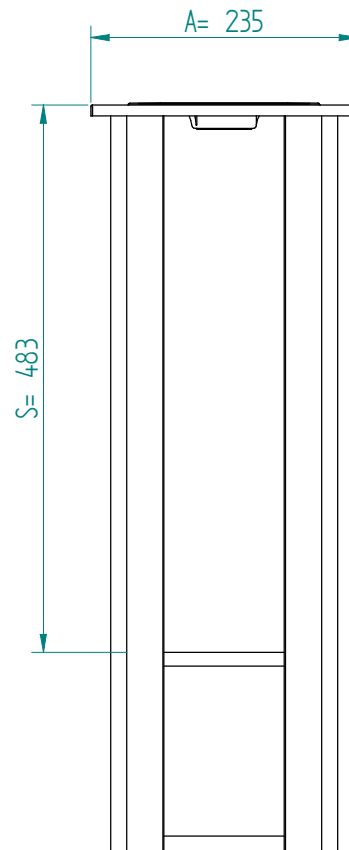
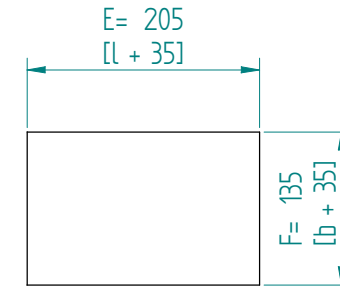
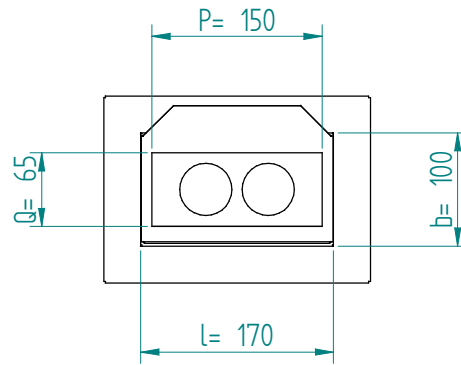
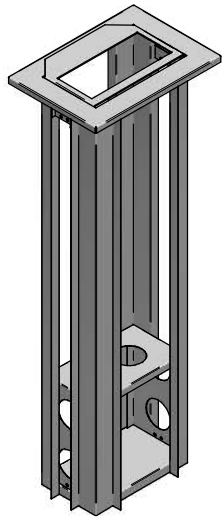
P x Q = napkin opening in cover

H = build in height

G = flange height

S = effective stacking height

weight (empty): 3 kg



EN

VR :

IR :

MOBILE **CONTAINING**