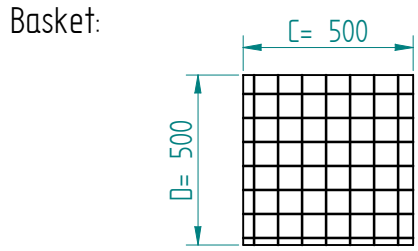


Dispenser: 06.2030
 OR-CHU/B fan heated
 heating element 230V-2000W



Dimensions:
 A x B = dispenser
 C x D = basket
 E x F = flange
 G = flange height
 L x b = tube internal
 H = build in height
 S = effective stacking height
 T x U = cut out tube
 L = length cable with plug

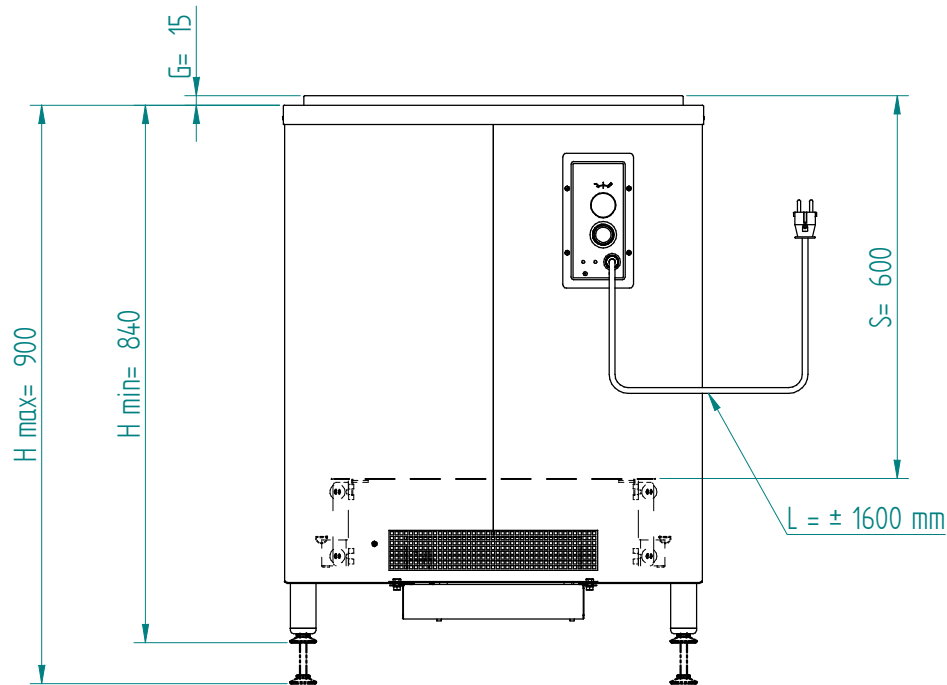
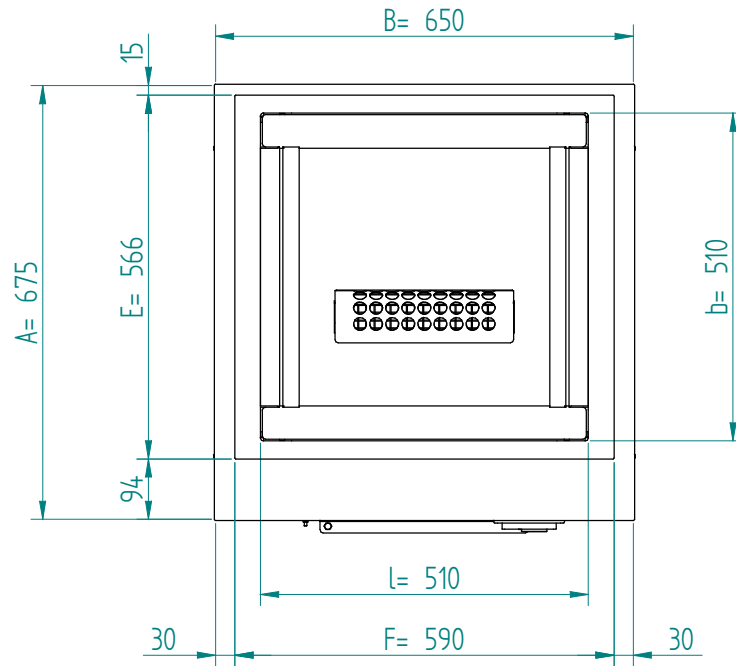
weight (empty): 60 kg

VR :

IR :

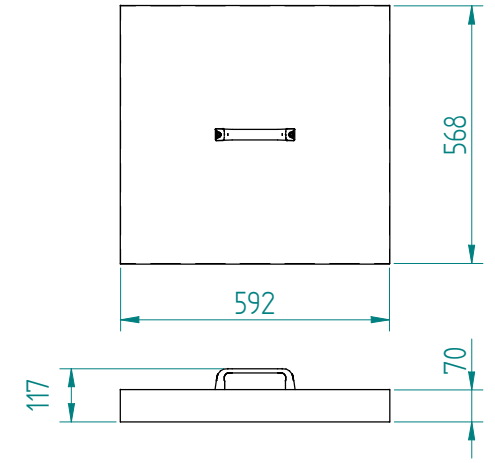
Drawn by : lw Date: 15-09-05

Checked by: mr Date: 15-09-05



4x adjustable feet

options, order separate
 - 93.5202 Stst cover



tube can be taken out

