

Dispenser:

05.1935

FOR-C/C

Dimensions:

A x B = flange

E x F = cut out

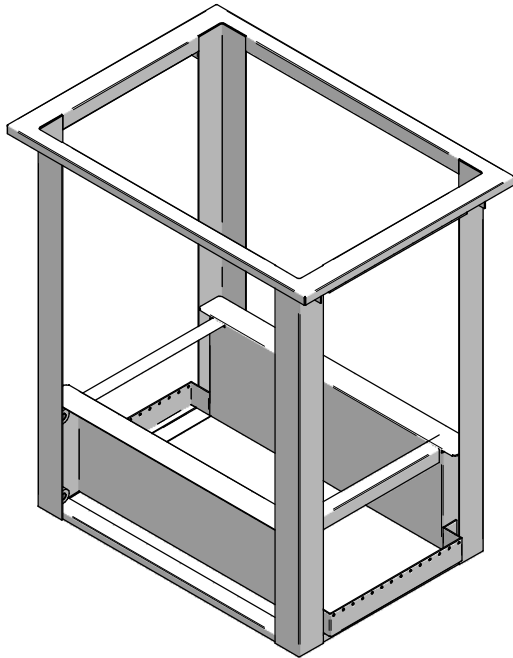
l x b = dispenser internal

H = build in height

G = flange height

S = effective stacking height

weight (empty): 11 kg



EN

VR :

IR :

MOBILE **CONTAINING**

