

Dispenser:

05.1915

FOR-C/A

Dimensions:

A x B = flange

E x F = cut out

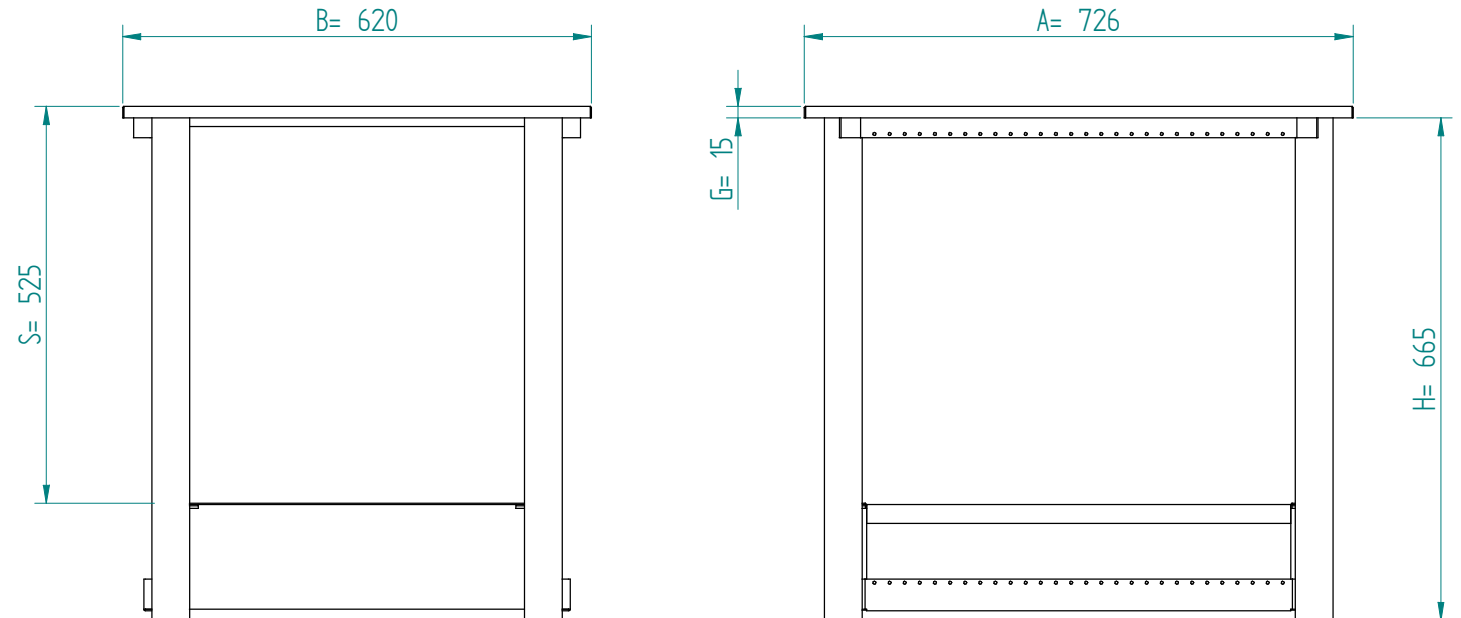
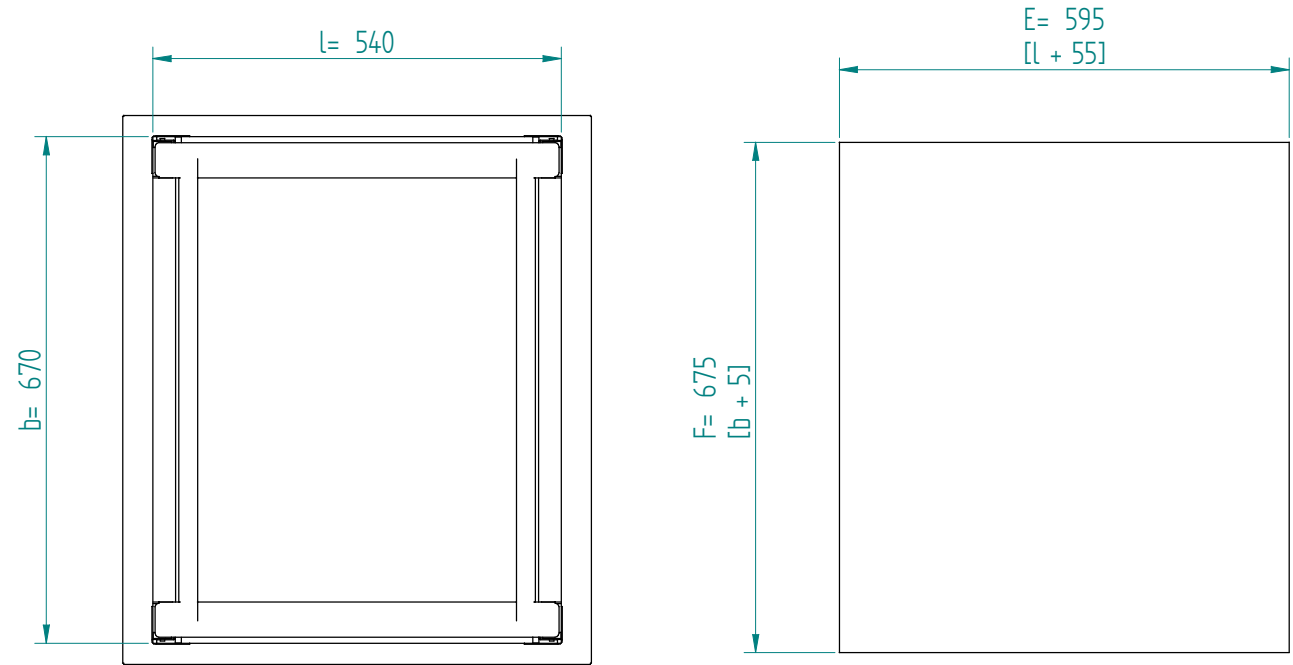
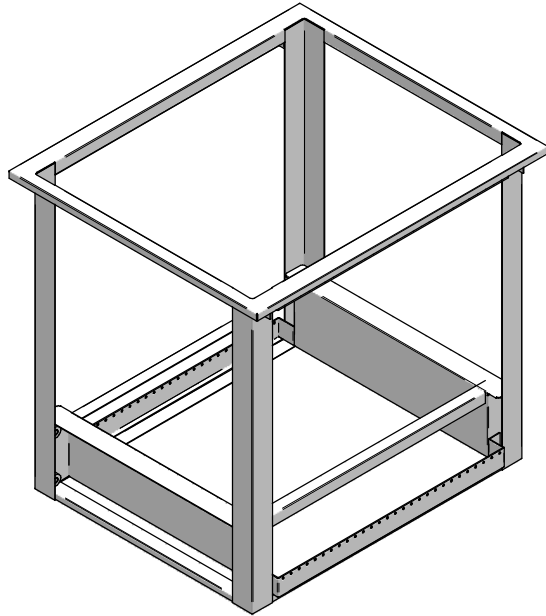
l x b = dispenser internal

H = build in height

G = flange height

S = effective stacking height

weight (empty): 12 kg



EN

VR :

IR :

MOBILE **CONTAINING**