

Dispenser:

04.1855

OR-C/E

Dimensions:

A x B = dispenser external

E x F = cut out

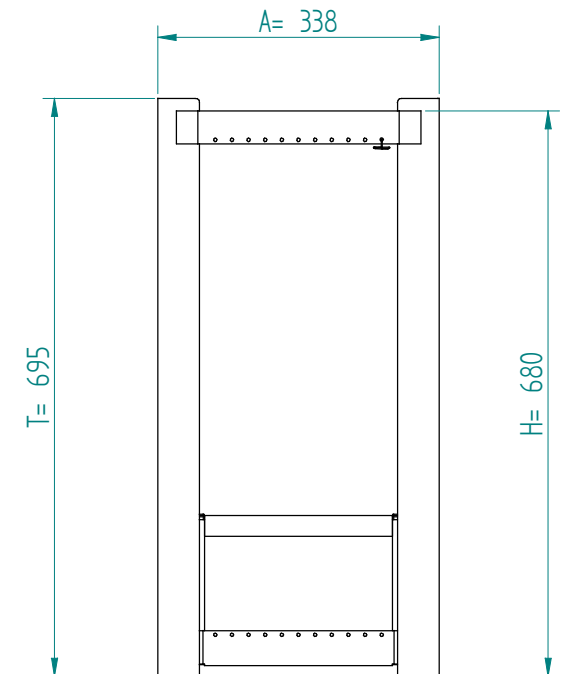
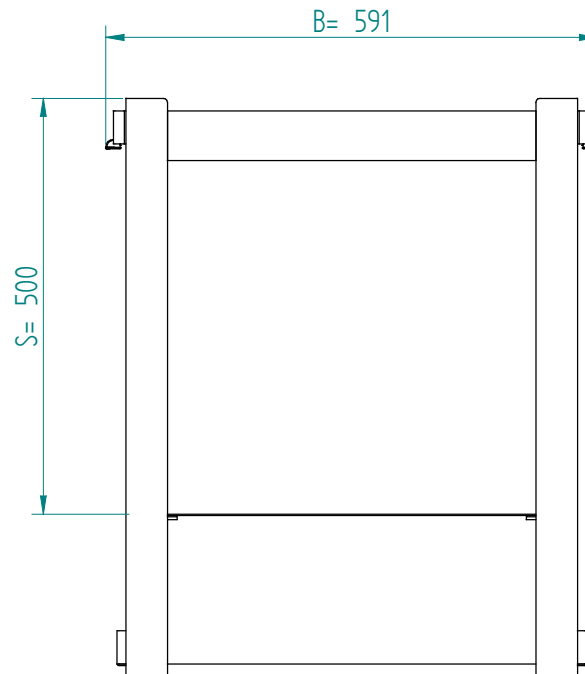
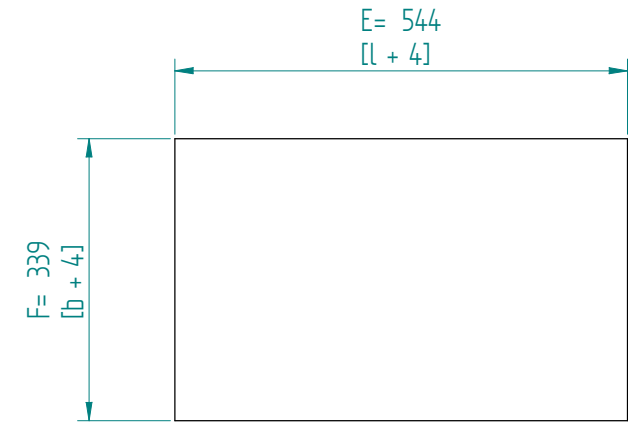
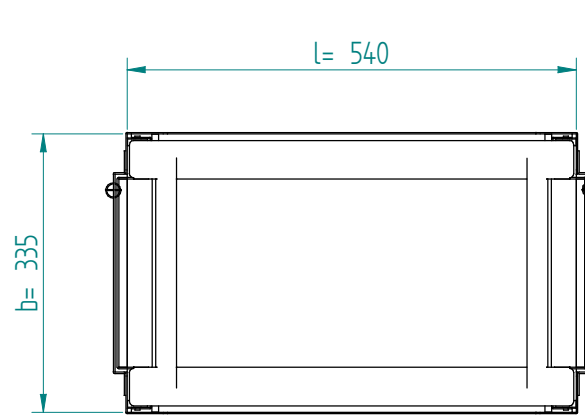
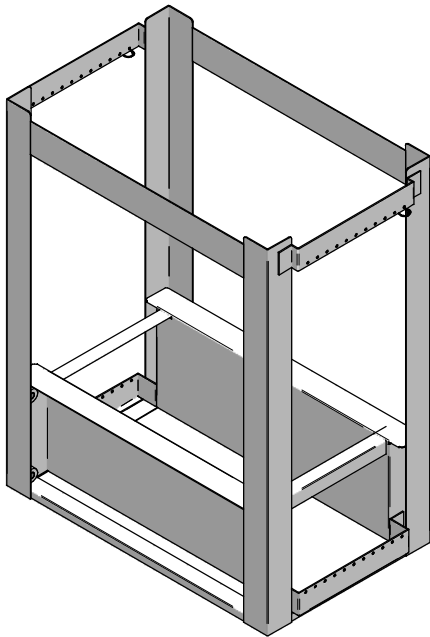
l x b = dispenser internal

H = build in height

S = effective stacking height

T = height total

weight (empty): 10 kg



EN

VR :

IR :

MOBILE **CONTAINING**