

Dispenser:

04.1815

OR-C/A

Dimensions:

A x B = dispenser external

E x F = cut out

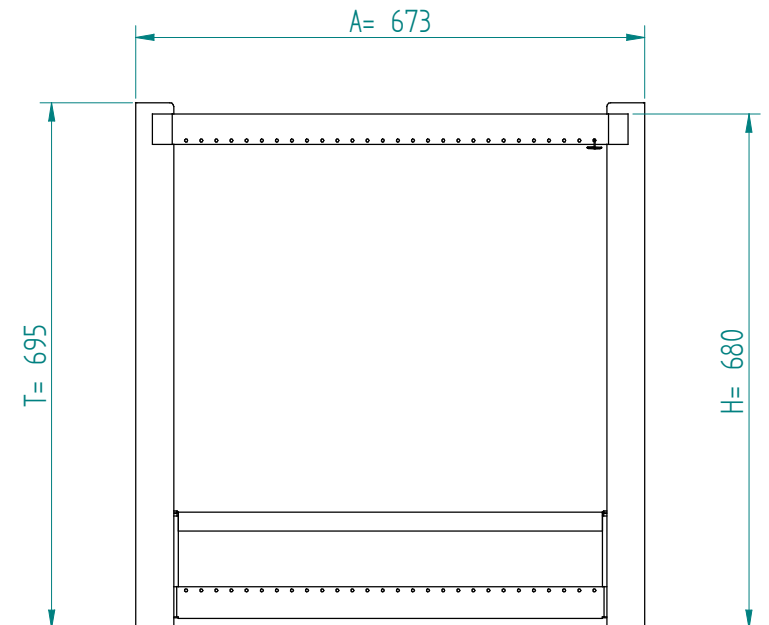
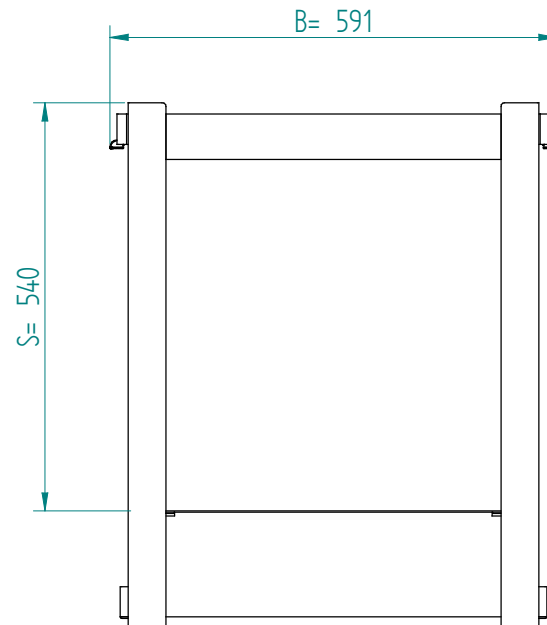
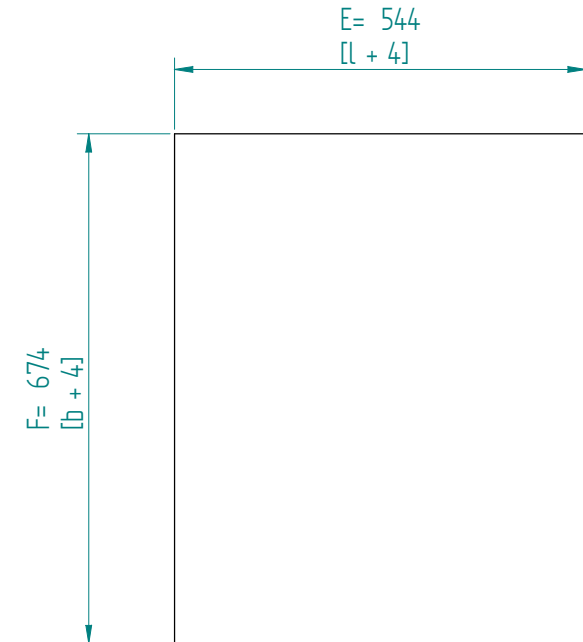
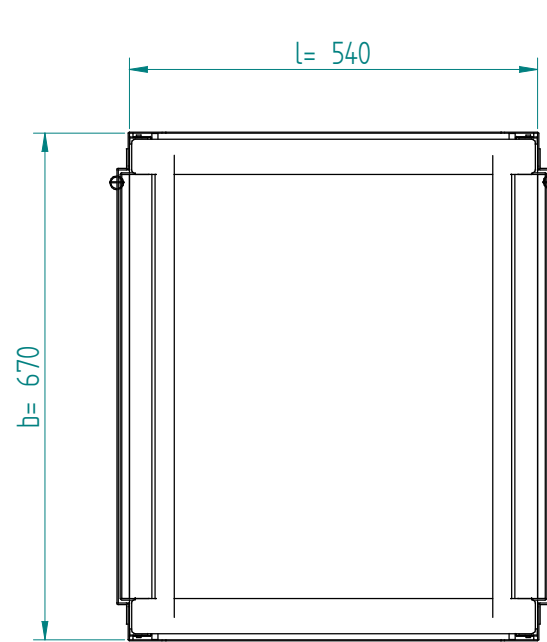
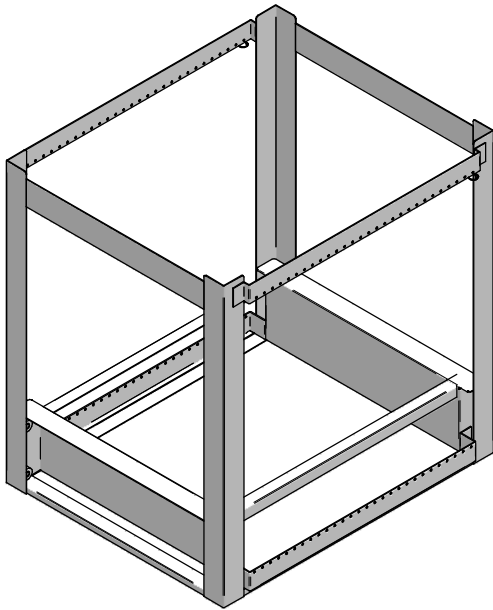
l x b = dispenser internal

H = build in height

S = effective stacking height

T = height total

weight (empty): 11 kg



EN

VR :

IR :

MOBILE **CONTAINING**