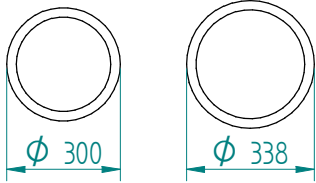


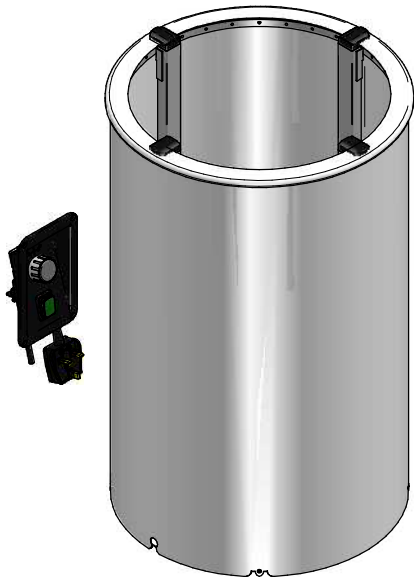
Dispenser: 03.1756.NC DFE 340 heated heating element 230V-400W

Crockery:



from to

Dimensions: weight (empty): 12 kg  
 A = flange  
 E = cut out  
 H = build in height  
 S = effective stacking height  
 y x z = cut out operating panel

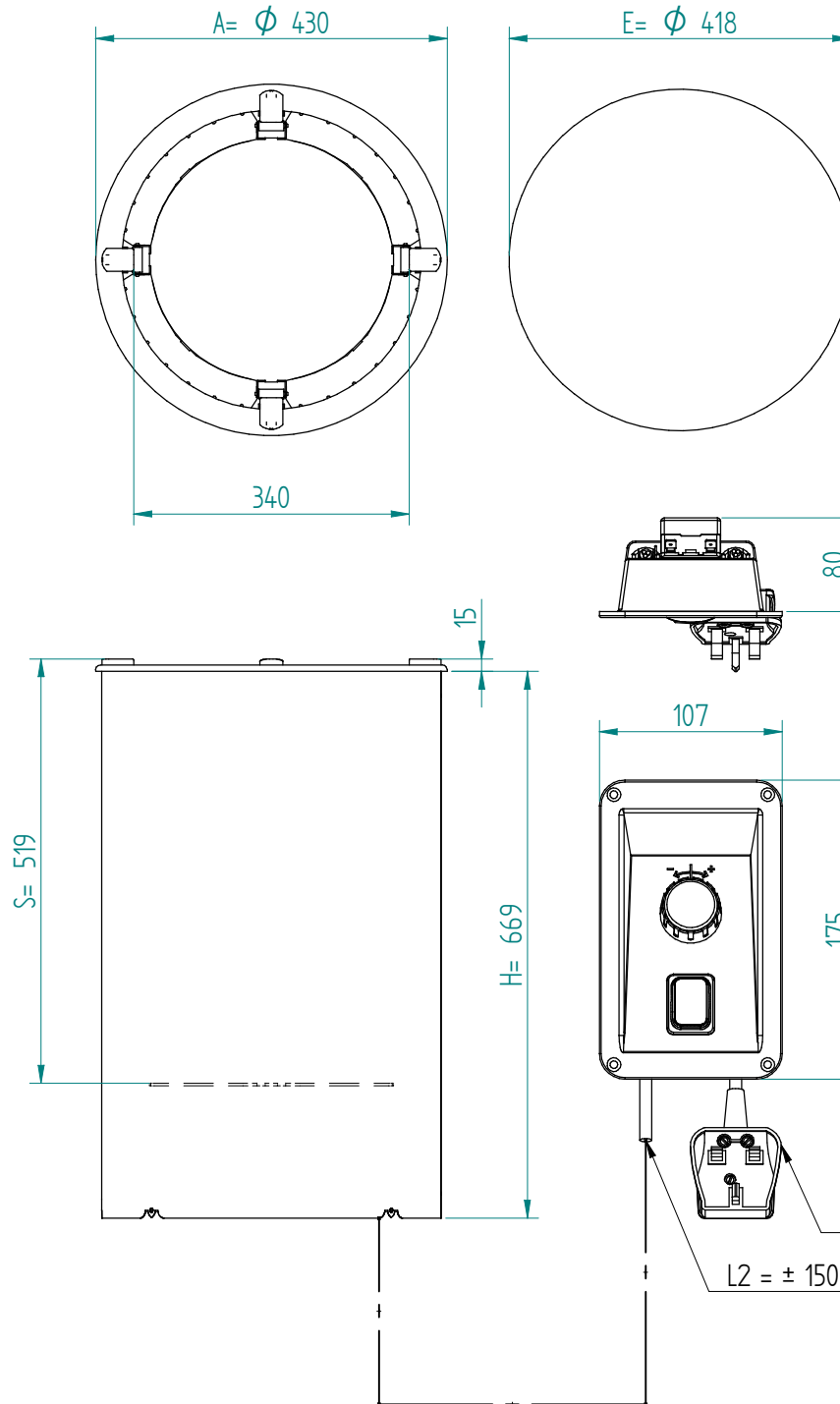


MUKL

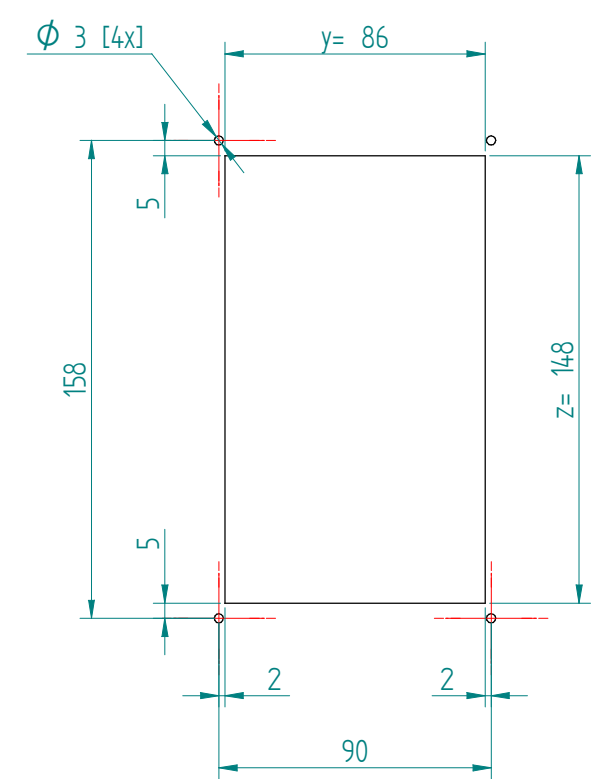
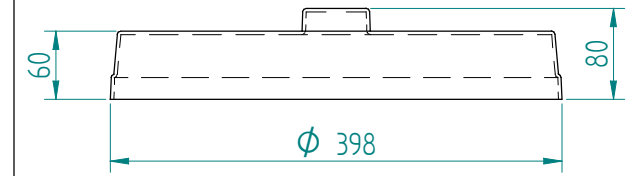
VR :

IR :

**MOBILE CONTAINING**



options, order separate;  
 pc cover: 91.5043



L1 = length cable with plug  
 L2 = length cable between tube and operating panel