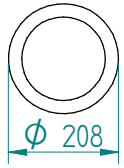


Dispenser: 03.1716.NC DFE 210 heated heating element 230V-400W

Crockery:

from



to

Dimensions: weight (empty): 8 kg

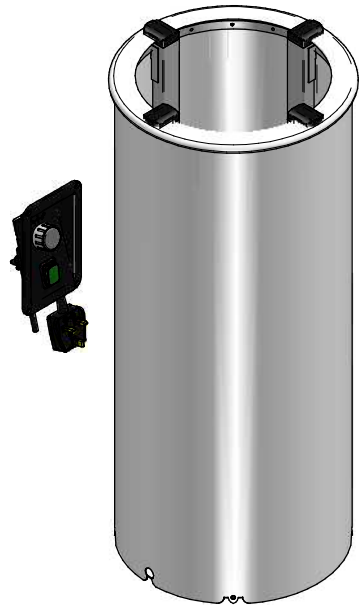
A = flange

E = cut out

H = build in height

S = effective stacking height

y x z = cut out operating panel

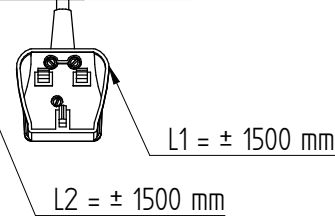
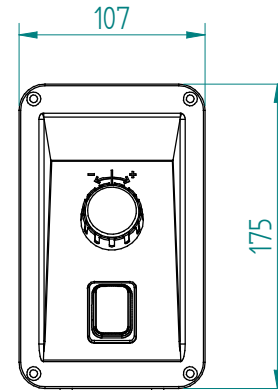
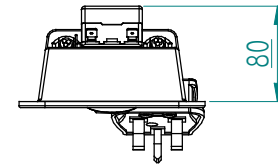
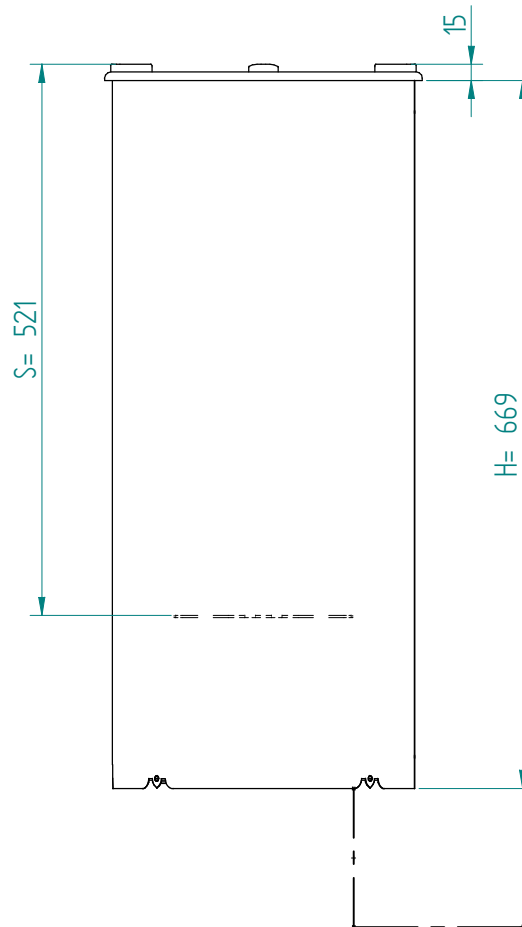
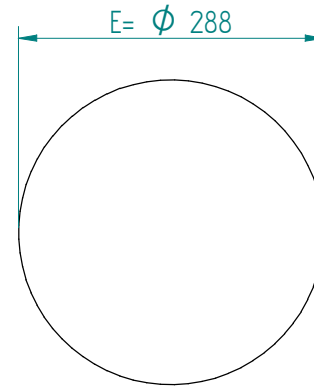
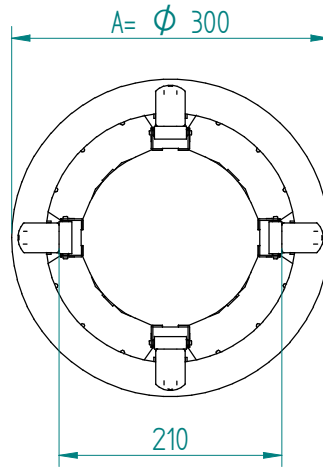


MUKL

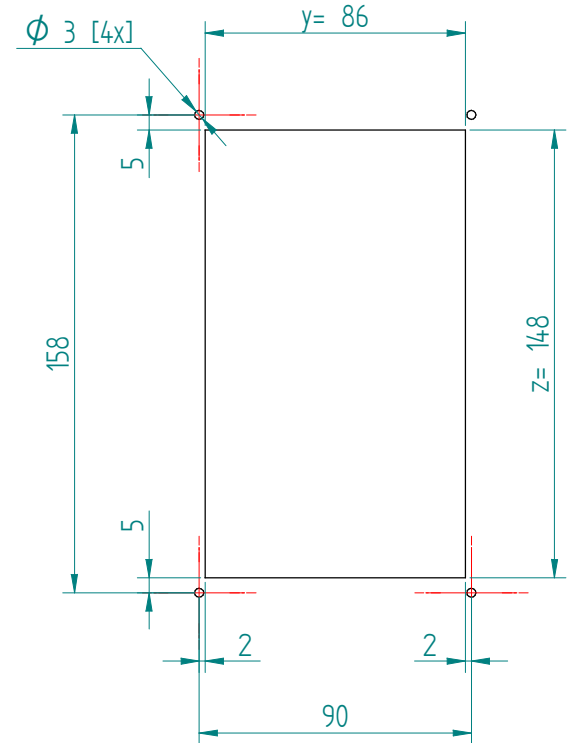
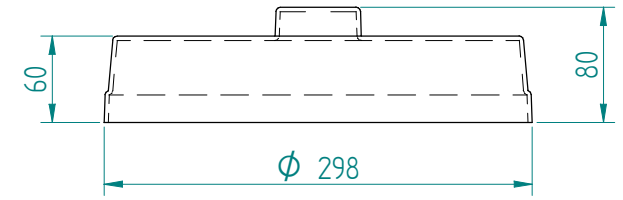
VR :

IR :

MOBILE CONTAINING



options, order separate;
pc cover: 91.5015



L1 = length cable with plug
L2 = length cable between tube and operating panel