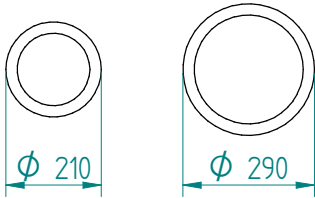


Dispenser: 03.1630.03 TH 310 heated heating element 230V-400W

Crockery:



from  $\phi 210$  to  $\phi 290$

Dimensions:

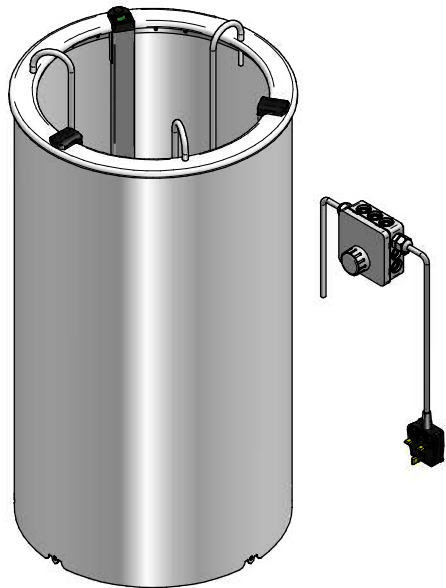
A = flange

E = cut out

H = build in height

S = effective stacking height

weight (empty): 12 kg

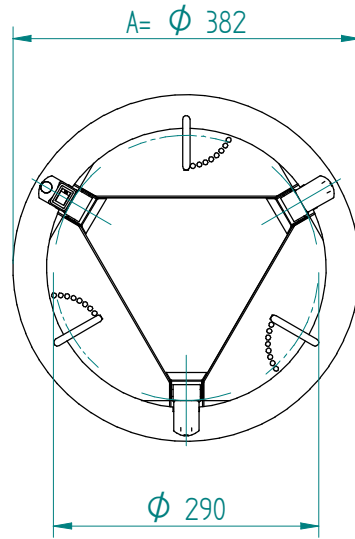


MUKL

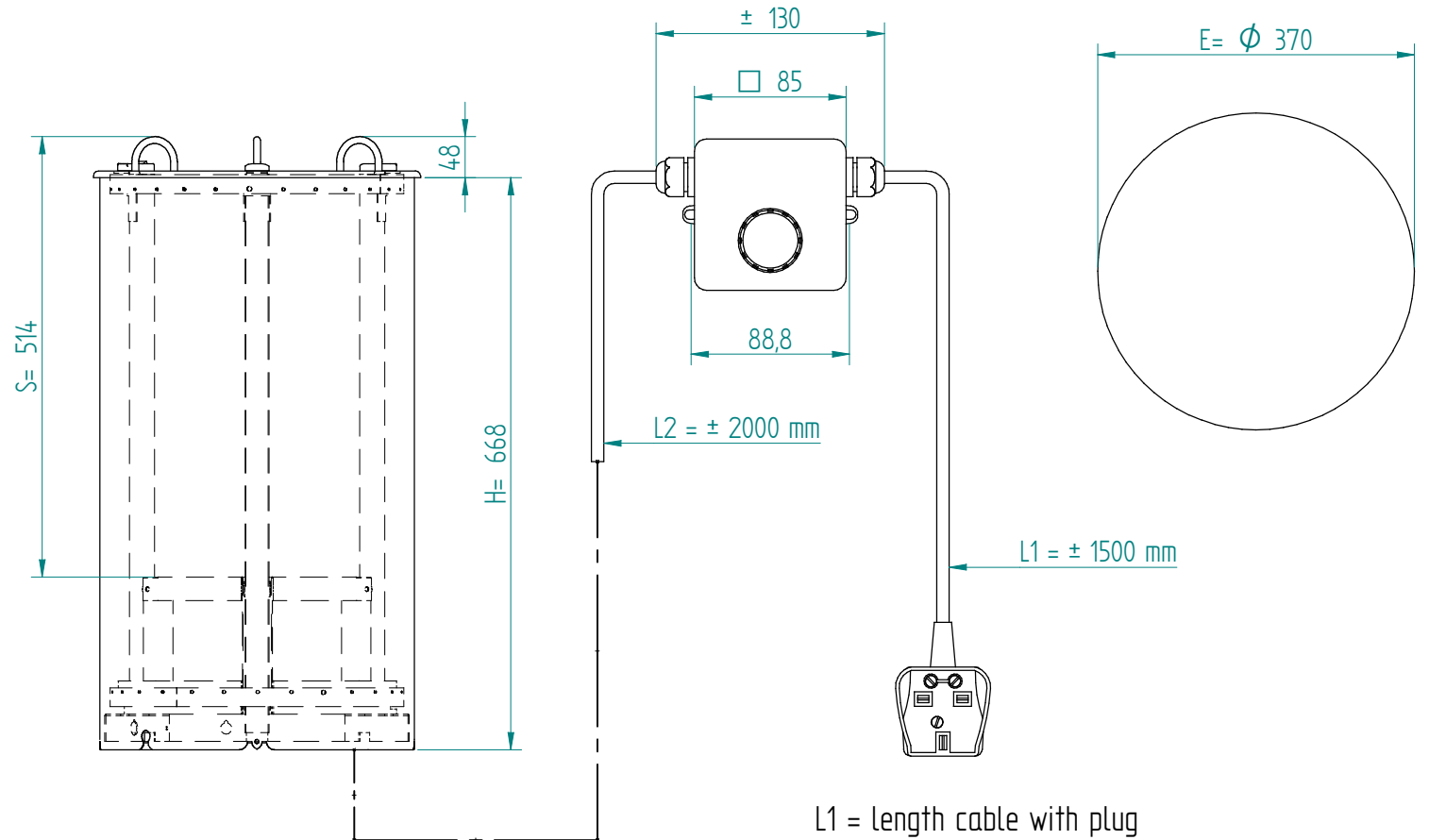
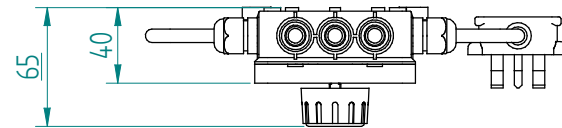
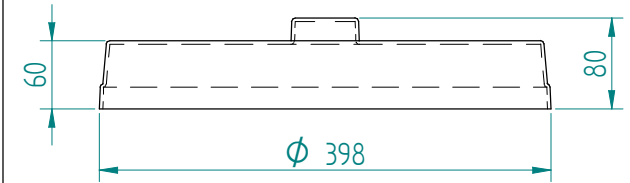
VR :

IR :

**MOBILE CONTAINING**



options, order separate;  
pc cover: 91.5040



L1 = length cable with plug  
L2 = length cable between tube and operating panel