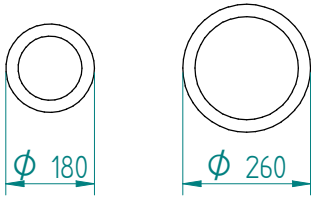


Dispenser: 03.1620.03 TH 280 heated heating element 230V-400W

Crockery:



from to

Dimensions:

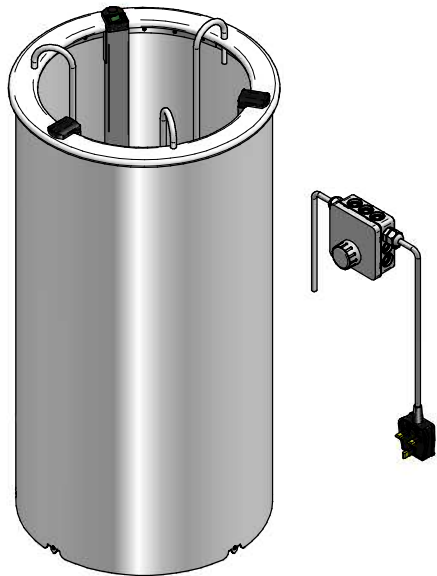
A = flange

E = cut out

H = build in height

S = effective stacking height

weight (empty): 11 kg

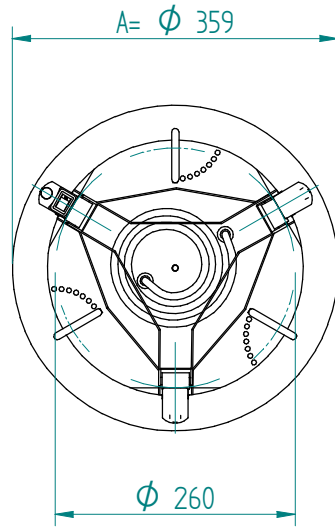


MUKL

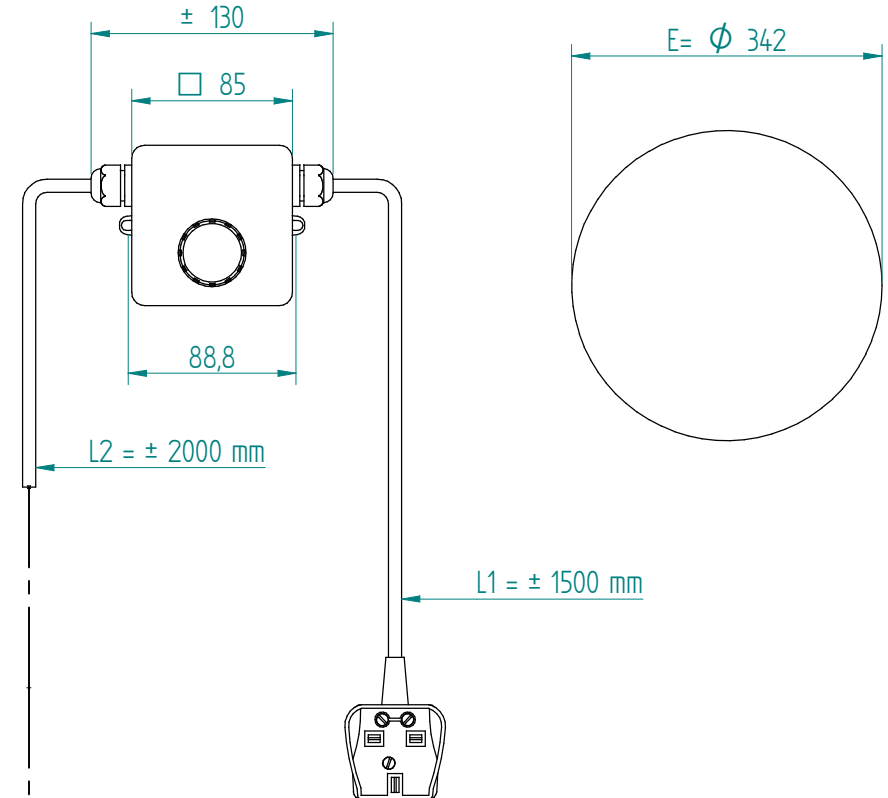
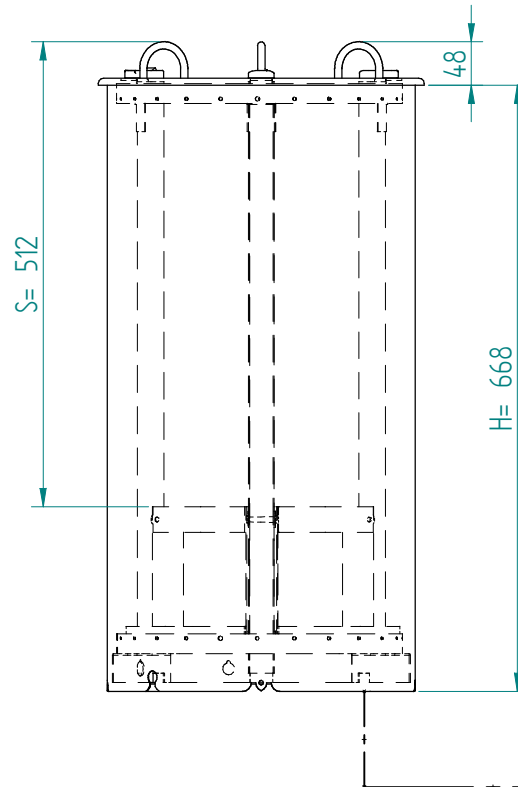
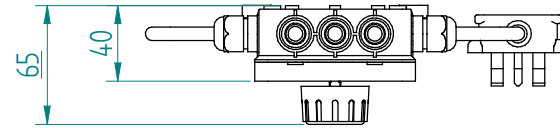
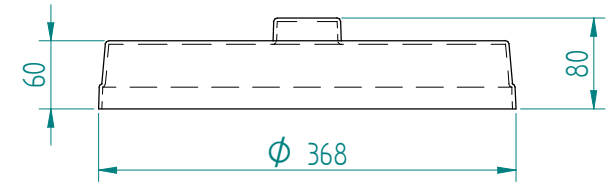
VR :

IR :

MOBILE CONTAINING



options, order separate;
pc cover: 91.5030



L1 = length cable with plug
L2 = length cable between tube and operating panel