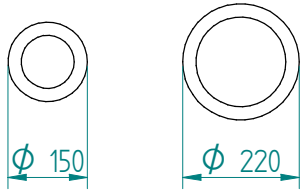


Dispenser: 03.1610.03 TH 245 heated
heating element 230V-400W

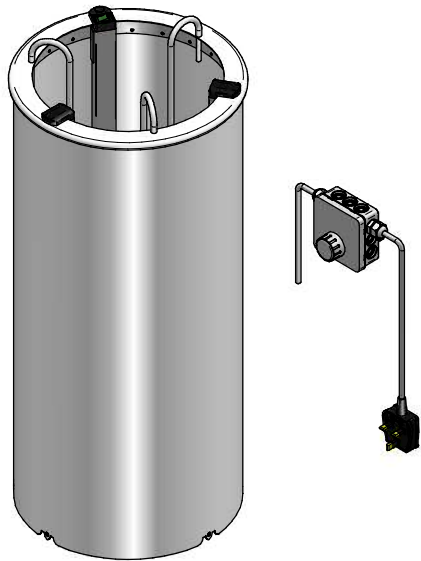
Crockery:



from to

Dimensions:

- A = flange
- E = cut out
- H = build in height
- S = effective stacking height
- weight (empty): 10 kg

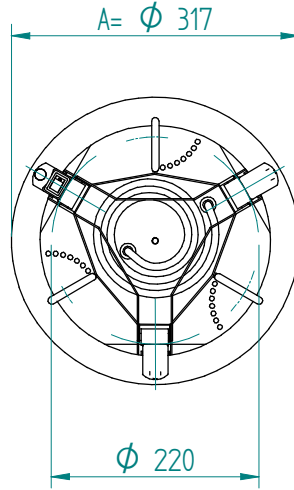


MUKL

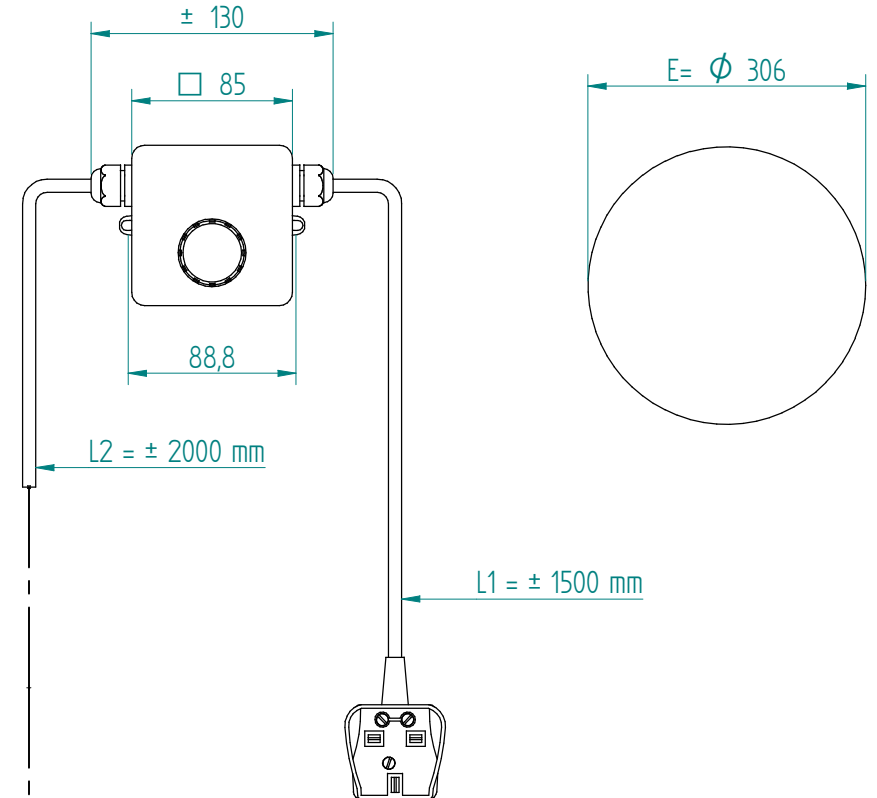
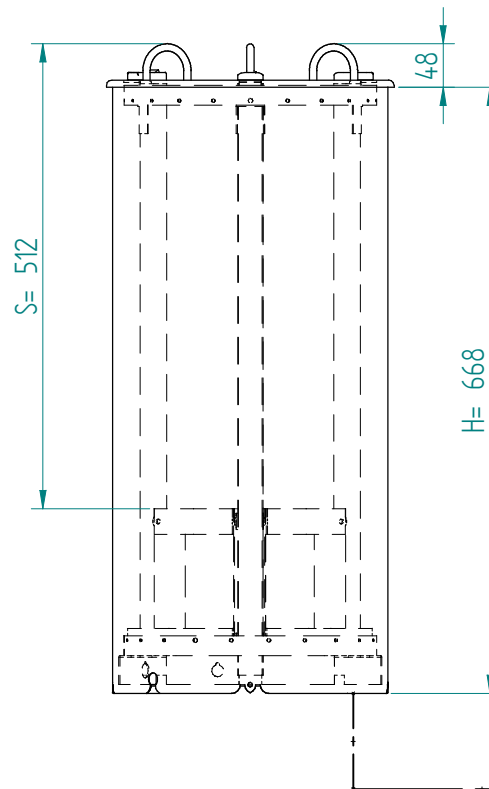
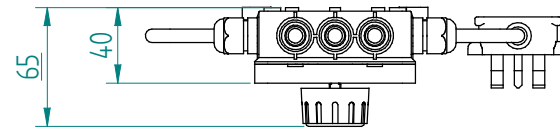
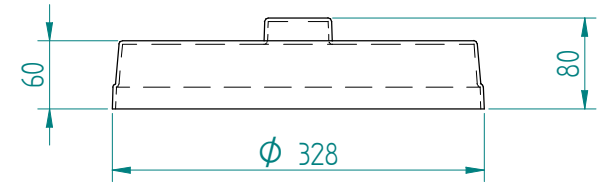
VR :

IR :

MOBILE CONTAINING



options, order separate;
pc cover: 91.5020



L1 = length cable with plug
L2 = length cable between tube and operating panel