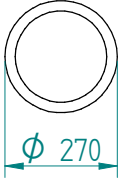
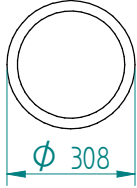
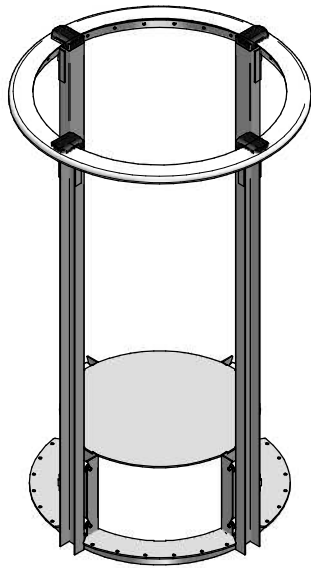


Dispenser:
01.1353.NC DFE 310 unheated

Crockery:
from  ϕ 270 to  ϕ 308

Dimensions:
A = flange
E = cut out
H = build in height
S = effective stacking height
weight (empty): 5 kg

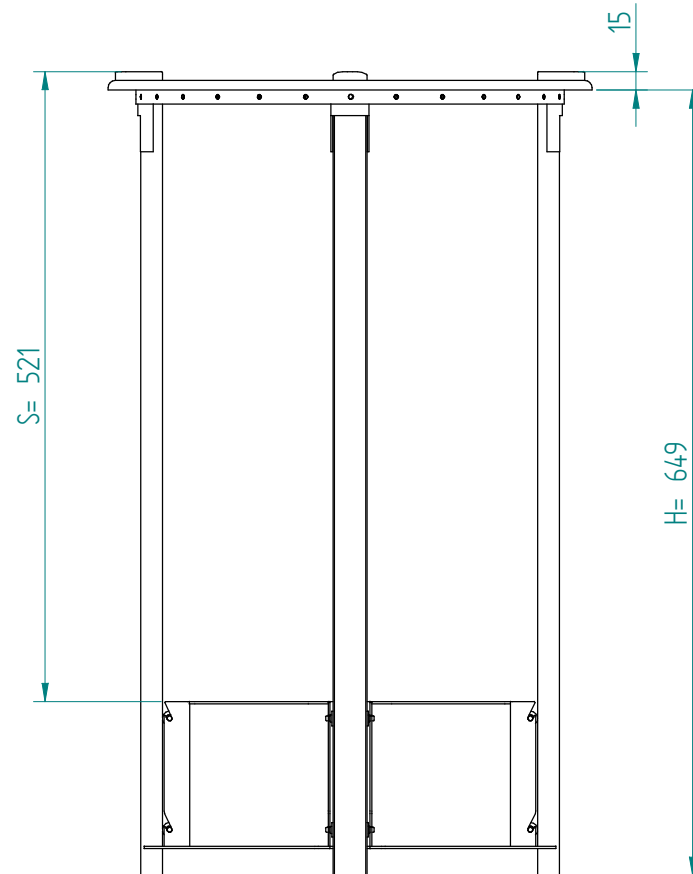
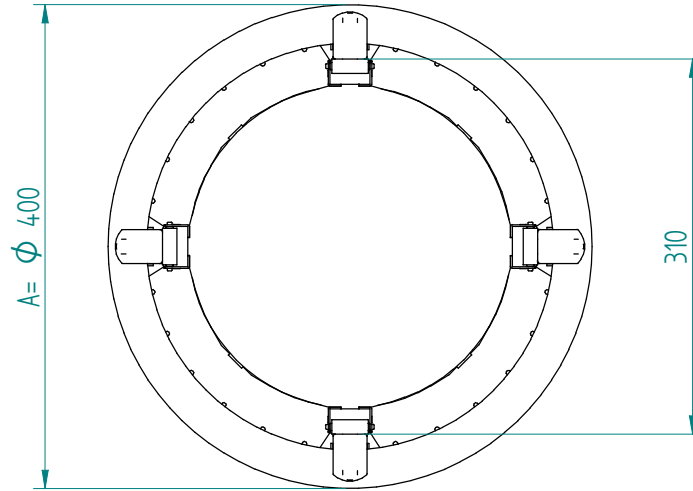


MUKL

VR :

IR :

MOBILE CONTAINING



options, order separate;
pc cover: 91.5040

