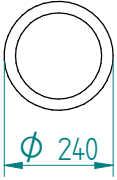
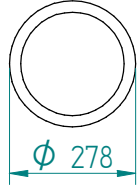
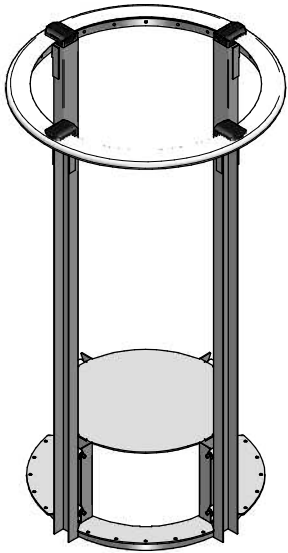


Dispenser:  
01.1343.NC DFE 280 unheated

Crockery:  
from   $\phi$  240 to   $\phi$  278

Dimensions:  
A = flange  
E = cut out  
H = build in height  
S = effective stacking height  
weight (empty): 4 kg

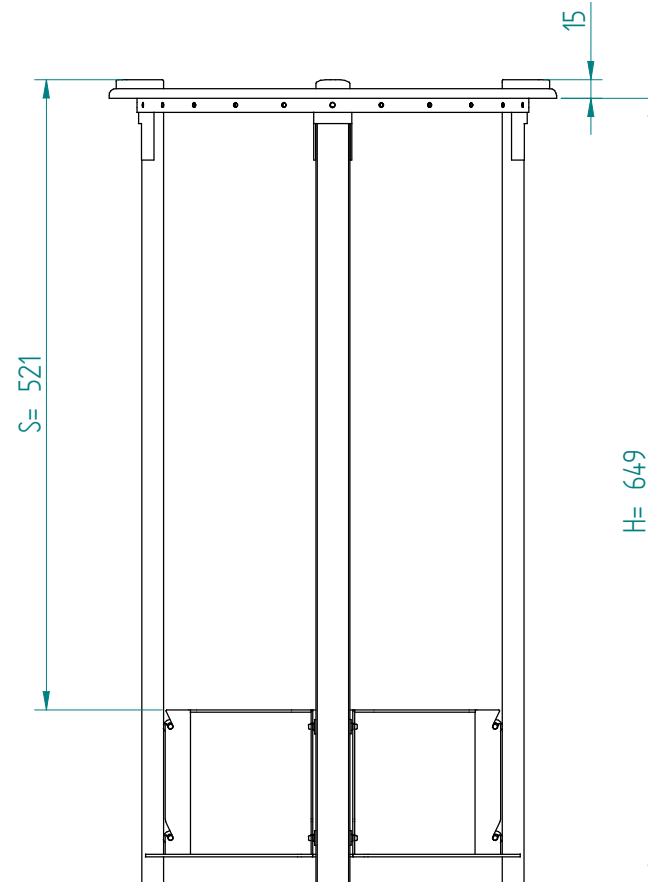
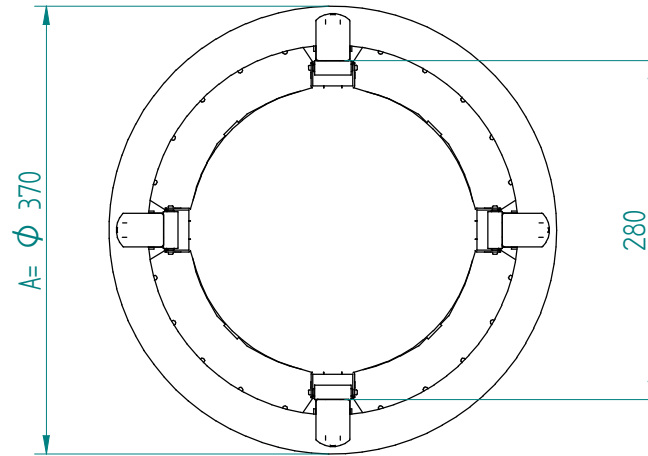


MUKL

VR :

IR :

**MOBILE CONTAINING**



options, order separate;  
pc cover: 91.5030

