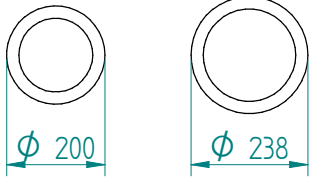
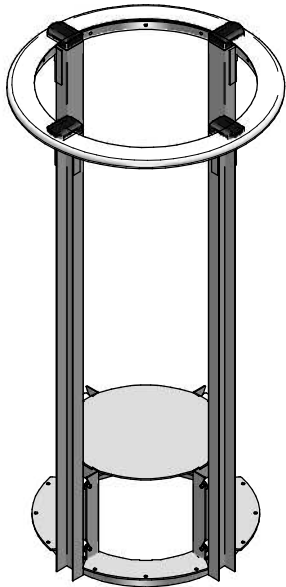


Dispenser:
01.1333.NC DFE 240 unheated

Crockery:



Dimensions:
A = flange
E = cut out
H = build in height
S = effective stacking height
weight (empty): 4 kg

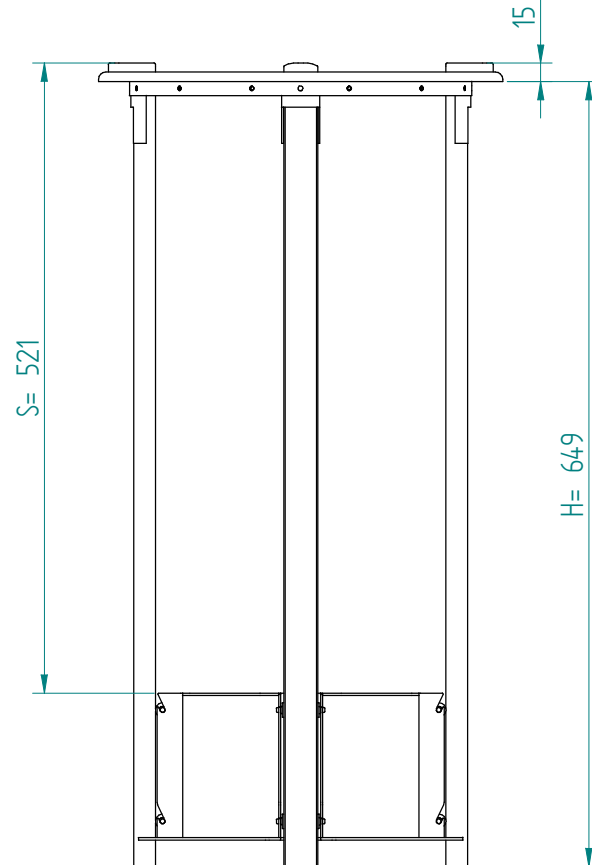
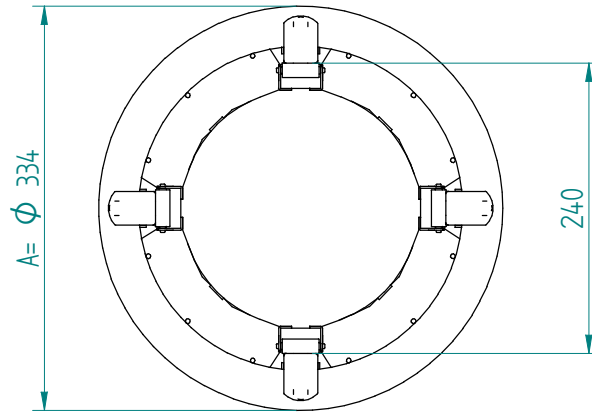


MUKL

VR :

IR :

MOBILE CONTAINING



options, order separate;
pc cover: 91.5020

