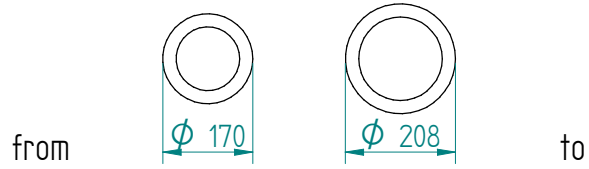
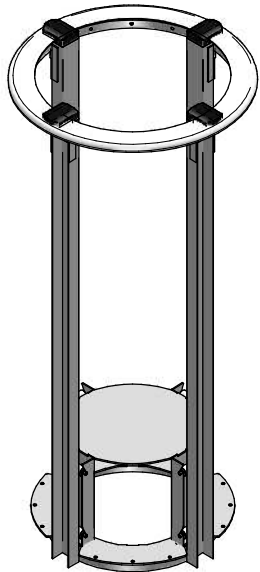


Dispenser:  
01.1323.NC DFE 210 unheated

Crockery:



Dimensions:  
A = flange  
E = cut out  
H = build in height  
S = effective stacking height  
weight (empty): 3 kg

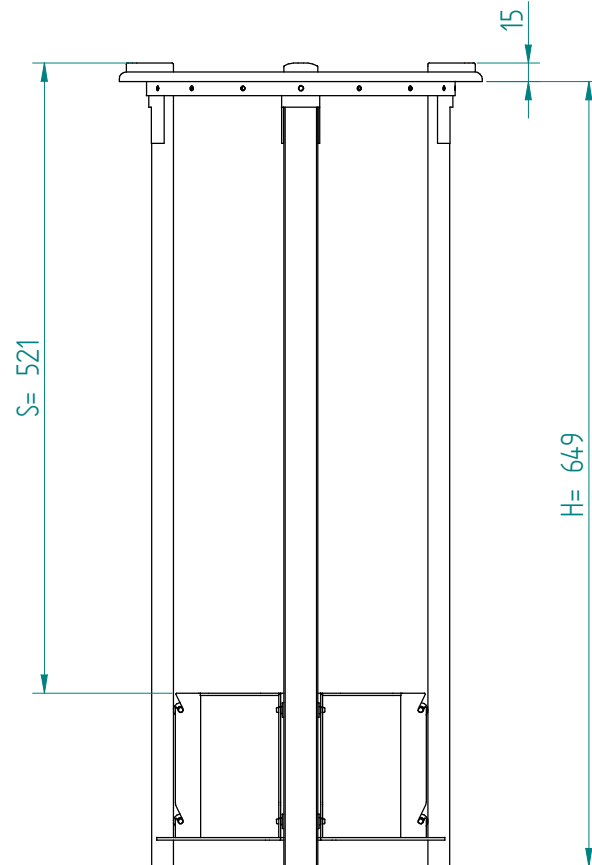
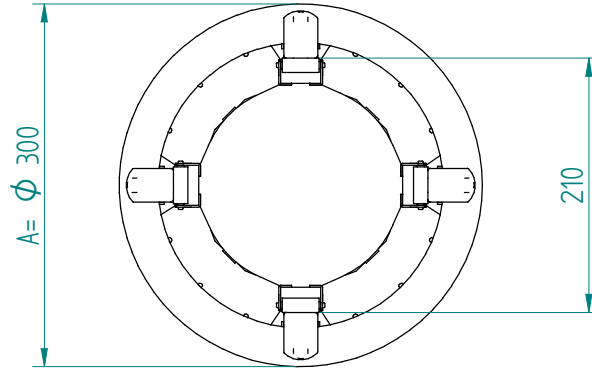


MUKL

VR :

IR :

**MOBILE CONTAINING**



options, order separate;  
pc cover: 91.5015

