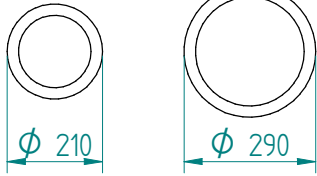


Dispenser:
01.1240.02 T 310 unheated

Crockery:



from ϕ 210 to ϕ 290

Dimensions:

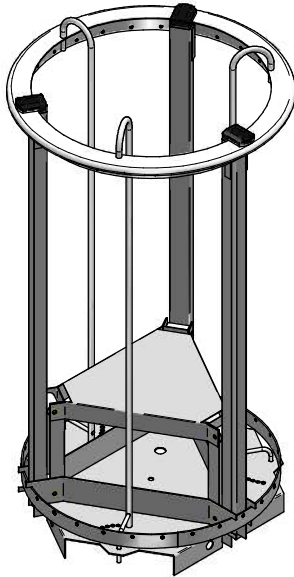
A = flange

E = cut out

H = build in height

S = effective stacking height

weight (empty): 6 kg

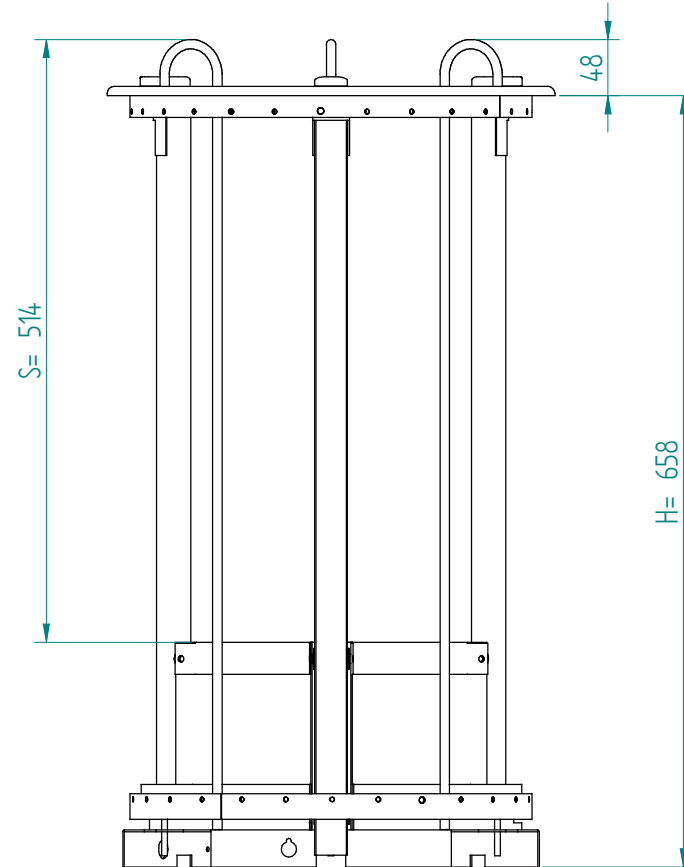
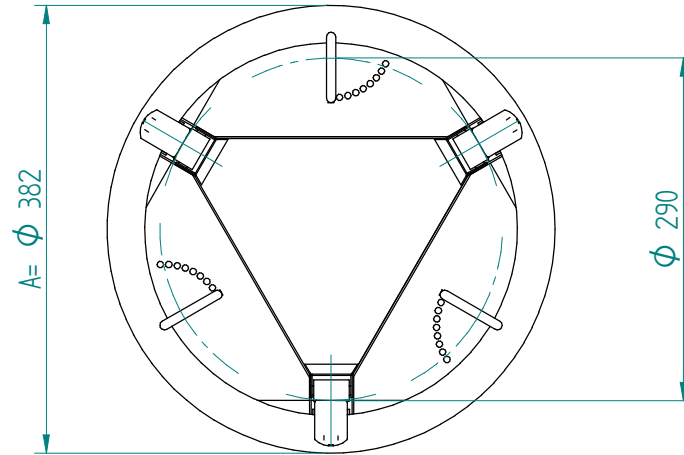


EN

VR :

IR :

MOBILE CONTAINING



options, order separate;
pc cover: 91.5040

