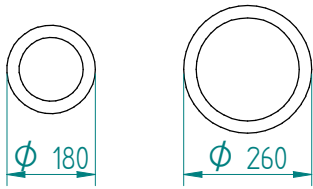


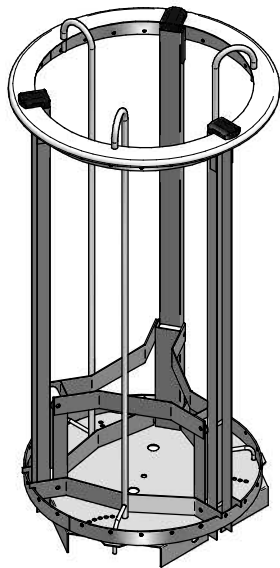
Dispenser:
01.1230.02 T 280 unheated

Crockery:



from to

Dimensions:
A = flange
E = cut out
H = build in height
S = effective stacking height
weight (empty): 5 kg

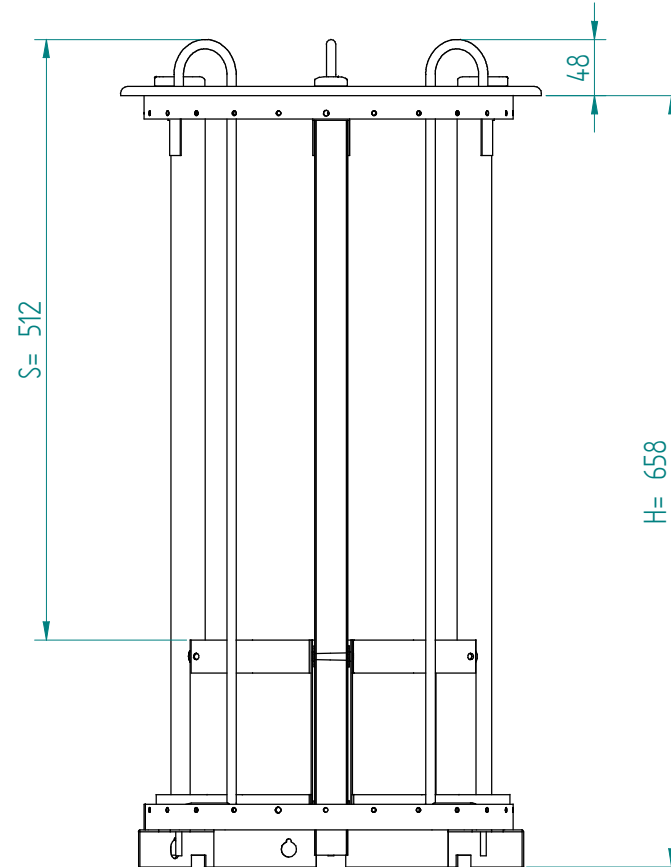
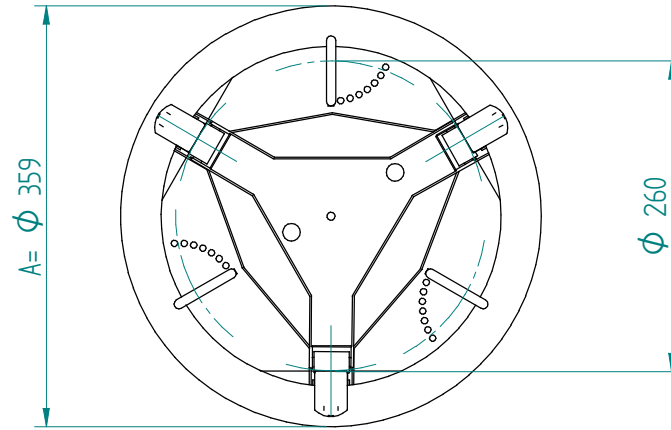


EN

VR :

IR :

MOBILE **CONTAINING**



options, order separate;
pc cover: 91.5030

