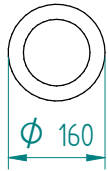


Dispenser:

01.1210.02 DFE 160 unheated

Crockery:



from

to

Dimensions:

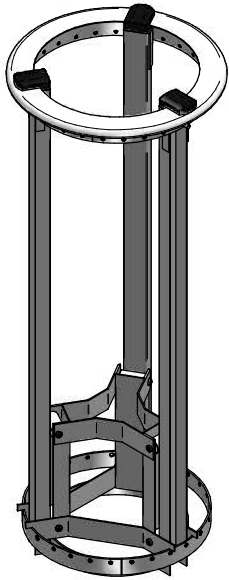
A = flange

E = cut out

H = build in height

S = effective stacking height

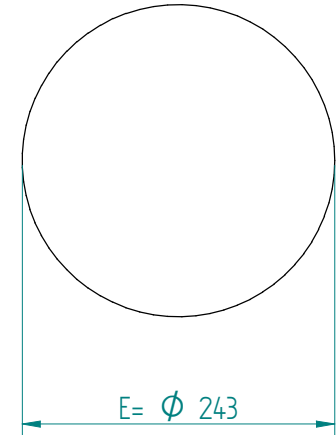
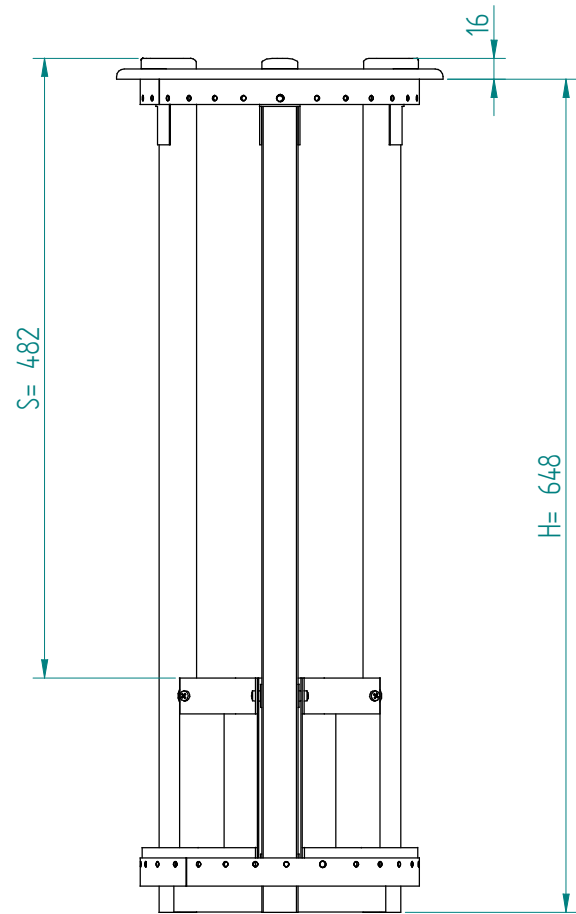
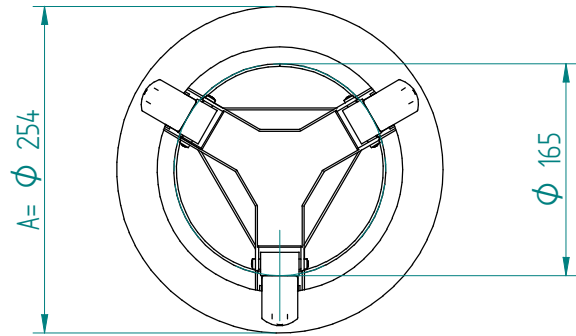
weight (empty): 2 kg



MUKL

VR :

IR :



MOBILE **CONTAINING**