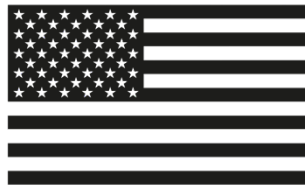


**BALLISTIC ARMOR CO.**

**BASTION™ BALLISTIC HELMET  
TECHNICAL SPECIFICATIONS**



**MADE IN USA**

BALLISTIC ARMOR LLC  
8380 AGATE ROAD  
WHITE CITY, OR 97503  
PHONE: (800) 657-8128  
DUNS: 08-110-4758  
CAGE: 843V2

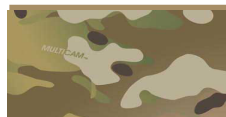
# Bastion® Ballistic Helmet Technical Specifications



Olive Drab



Armor Black

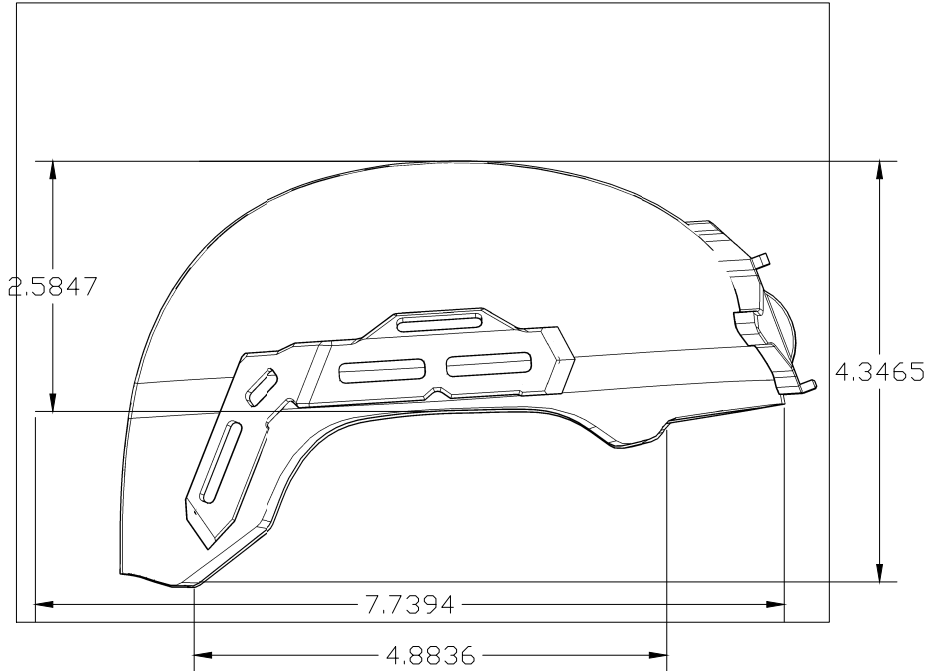


MultiCam®



Coyote Brown

<b>Part Number</b>	BAG3200-[size code] [color code]
<b>Description</b>	NIJ Level IIIA Ballistic Helmet
<b>Colors</b>	Olive Drab [OD]   Coyote Brown [CB]   Armor Black [BLK]   MultiCam® [MC]
<b>Finish</b>	High Grain Aggregate
<b>Sizes</b>	Medium [M]   Large [L]   Extra Large [XL]
<b>Shell Material</b>	Epoxy-impregnated DuPont Kevlar® Aramid Fiber (ASTM D2343), rubber gasket edge seal (water impervious)
<b>Gross Dry Weight</b>	Medium: 2lbs 0oz   Large: 2lbs 2oz   X-Large: 2lbs 3oz
<b>Gross Loaded Weight</b>	Medium: 3lbs 1oz   Large : 3lbs 3oz   X-Large: 3lbs 4oz
<b>Shape</b>	Modified U.S. Army ACH Geometry, Raised contour at ears for hearing protection/communication systems and raised brow for field of vision.
<b>Protection Level</b>	NIJ level IIIA 0108.01/0106.01
<b>Fragment Protection</b>	17 grain V50>2130 f/s (650 m/s) in accordance with MIL-STD-662F
<b>Environmental Testing</b>	Performs under temperature between 160°F (71°C) and -60°F (-51°C); Performs after 3 hours seawater submersion
<b>Platform</b>	CNC Aluminum M-Lok® Rear-Mount Side Rails; NVG Shroud Designed to Wilcox G24 Standard / Concealed Mounting Hardware; 3M® 6038PL Adhesion Loop Fastener; 7/8" Impact Foam Pads; Single-Hand Turn Dial 4-Point Harness with Boltless Fastening
<b>Country of Origin</b>	Made the United States of America with American Materials.



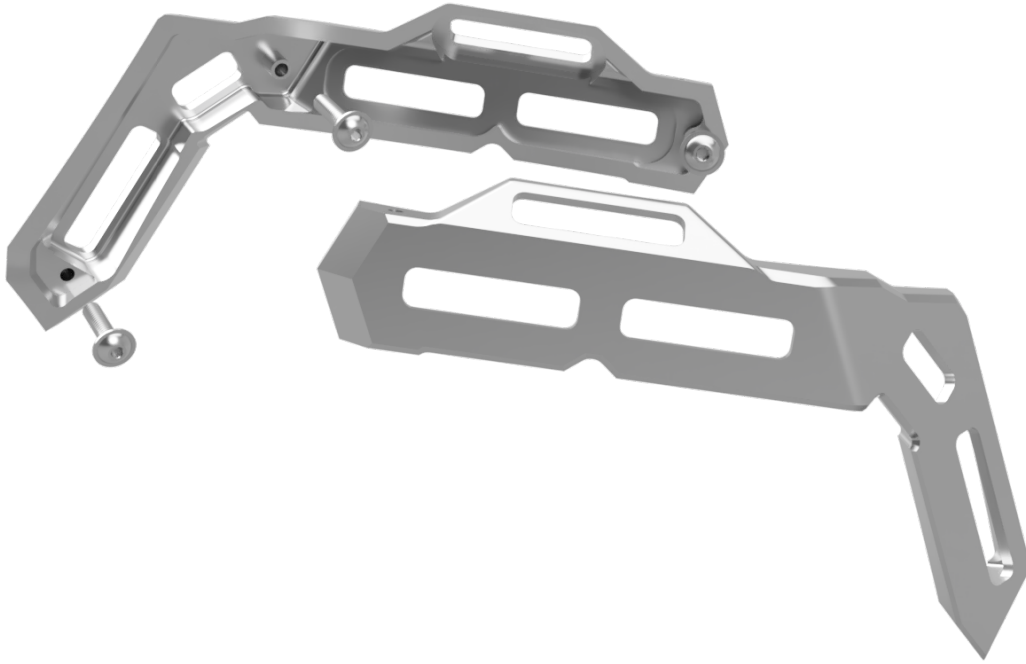
# SIZING CHART

Head Circumference	US Hat Size		Ballistic Armor™ Gen 1 Helmet Size	Ballistic Armor™ Gen 3 Helmet Size
20-3/4"	6-5/8	XS	M/L	Small
21-1/8"	6-3/4	S	M/L	
21-7/8"	7	M	M/L	Medium
22-5/7"	7-1/4	L	M/L	
23-7/8"	7-5/8	XL	XL	
24-1/4"	7-3/4	2XL	XL	Large/XL
25-5/8"	8	3XL	XL	

GEN 3 HELMETS PROUDLY DESIGNED IN WHITE CITY, OREGON  
 PRESSED AND ASSEMBLED IN THE UNITED STATES OF AMERICA

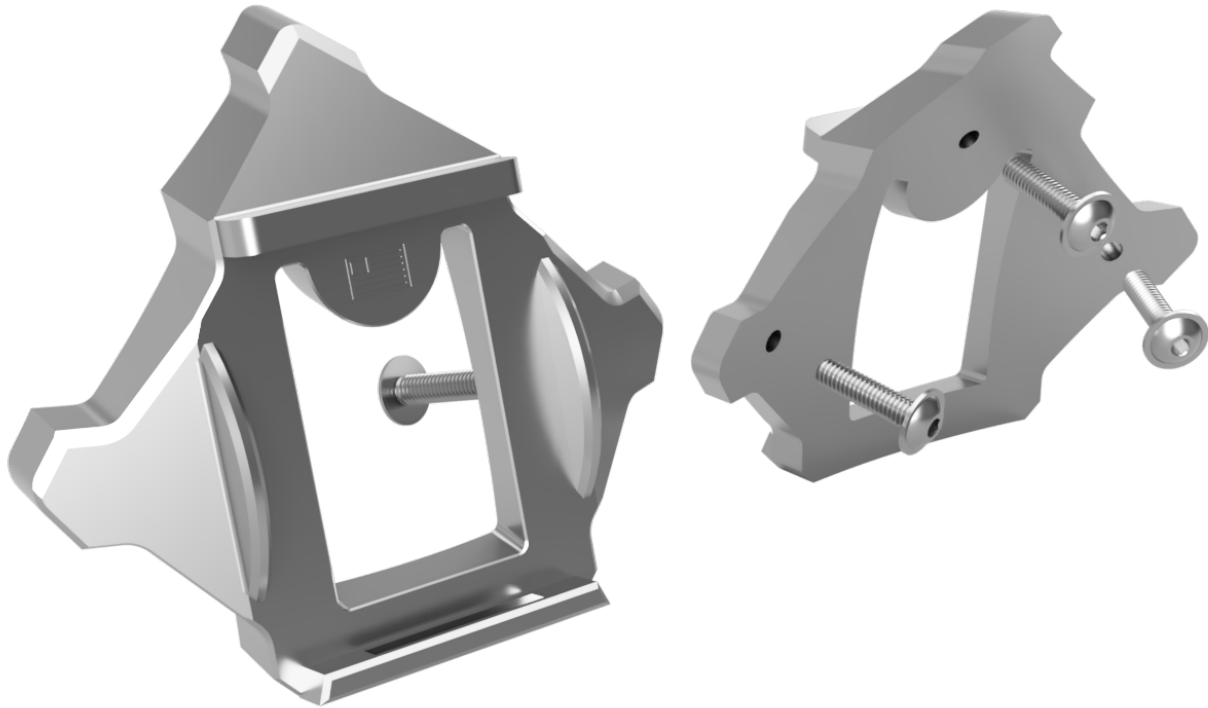


# Bastion® CNC Side Rail Technical Specifications



<b>Part Number</b>	BAC3LSR1-[color code] (Right Hand Side) & BAC3RSR1-[color code] (Left Hand Side)
<b>Description</b>	CNC Fully Aluminum M-Lok® Ballistic helmet side rails
<b>Colors</b>	Olive Drab   Coyote Brown   Armor Black
<b>Finish</b>	Matte Finish Cerakote® H-Series Ceramic Heat Cured
<b>Sizes</b>	One Size Fits all Bastion™ Helmets
<b>Material</b>	6061-T6511 Ext Bar (Aircraft Structural Grade)
<b>Fasteners</b>	Three (3) M4 x .070 x 16 mm marine stainless steel flanged pan head screws into integrated threaded stubs (concealed fasteners)
<b>Gross Weight</b>	8 oz
<b>Shape</b>	Proprietary Ballistic Armor™ Bastion™ design
<b>Tensile &amp; Sheer Strength</b>	Tensile: 310 MPa (45000 PSI)   Yield: 276 MPa (40000 PSI)   Elongation at Break: 12%   Shear Stress: 30,000 psi (207 MPa)
<b>Fracture Toughness</b>	26.4 ksi-in <sup>½</sup>
<b>Environmental Testing</b>	Performs under temperature between 1080°F (582°C) and -253°F (-423.4°C); Impervious to climate and moisture conditions
<b>Platform</b>	M-Lok® Mounting System
<b>Country of Origin</b>	Made in Oregon of American Materials

# Bastion® CNC Front Shroud Technical Specifications



<b>Part Number</b>	BAC3FS1-[color code]
<b>Description</b>	CNC Fully Aluminum M-Lok® Ballistic helmet side rails
<b>Colors</b>	Olive Drab   Coyote Brown   Armor Black
<b>Finish</b>	Matte Finish Cerakote® H-Series Ceramic Heat Cured
<b>Sizes</b>	One Size Fits all Bastion™ Helmets
<b>Material</b>	6061-T6511 Ext Bar (Aircraft Component Grade)
<b>Fasteners</b>	Three (3) M4 x .070 x 16 mm marine stainless steel flanged pan head screws into integrated threaded stubs (concealed fasteners)
<b>Gross Weight</b>	4 oz
<b>Shape</b>	Proprietary Ballistic Armor™ design
<b>Tensile &amp; Sheer Strength</b>	Tensile: 310 MPa (45000 PSI)   Yield: 276 MPa (40000 PSI)   Elongation at Break: 12%   Shear Stress: 30,000 psi (207 MPa)
<b>Fracture Toughness</b>	26.4 ksi-in <sup>½</sup>
<b>Environmental Testing</b>	Performs under temperature between 1080°F (582°C) and -253°F (-423.4°C); Impervious to climate and moisture conditions
<b>Platform</b>	M-Lok® Mounting System
<b>Country of Origin</b>	Made in Oregon of American Materials

# Bastion® Memory Foam Liner Shock Absorption Pads



<b>Part Number</b>	BAG3-P01
<b>Description</b>	Memory Foam Pads with shock absorption technology and soft rayon cover.
<b>Colors</b>	Black
<b>Material</b>	High density open cell foam; vinyl nitrile shock-absorption foam, 100% Nylon UBL backing; Rayon cover.
<b>Fasteners</b>	Hook & Loop
<b>Thickness</b>	7/8"
<b>Gross Weight</b>	2 oz
<b>Density</b>	5.82 - 7.35 lb/ft <sup>3</sup>
<b>Elongation</b>	140%
<b>Air Flow</b>	1.5 – 3.0 cfm
<b>Flammability</b>	California TB 117-2013 Section 3: Pass
<b>Country of Origin</b>	Made in Washington of American Materials



# Bastion® Single-Hand Turn Dial 4-Point Suspension



<b>Part Number</b>	BA200APL[color code]
<b>Description</b>	One-hand turn dial 4-point harness with hook & loop boltless fasteners
<b>Adjustment</b>	One-hand turn dial tension adjustment
<b>Colors</b>	Armor Black, Olive Drab, Coyote Brown
<b>Material</b>	Polyester webbing, hook & loop backing, suede chin strap, polymer latch clips
<b>Fasteners</b>	Hook & Loop (boltless)
<b>Gross Weight</b>	4 oz
<b>Sizes</b>	One size fits all
<b>Country of Origin</b>	Made in Israel

