



EONA

Specification Guide

Heading

Stylish and sustainable,
EONA brings a new lease
of life.

Manufactured from
post-consumer recycled
materials, EONA is living
proof that stunning
design and environmental
consideration can go
hand in hand.

EONA

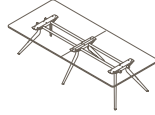
Round/Square

6



Rectangle

7-9



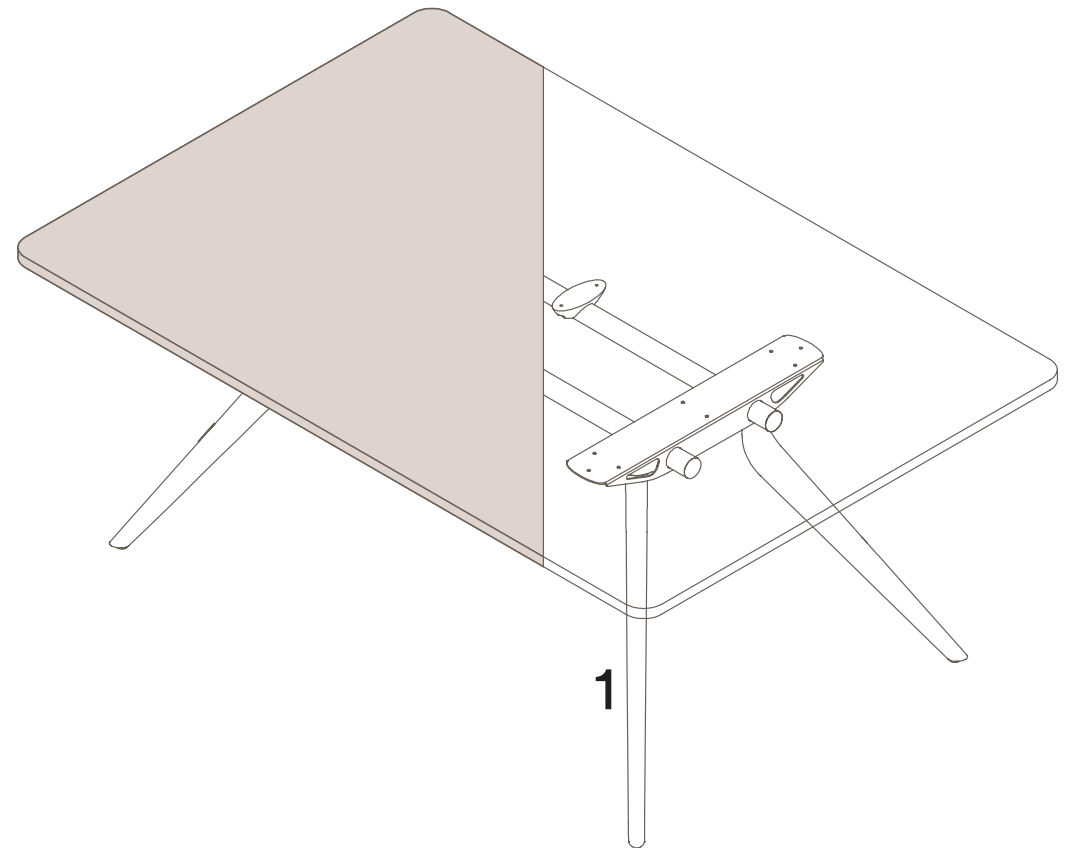
EONA

Multi-Leg Finishes

Sleek aesthetics and timeless design make EONA ideal for the conference or boardroom, while its flexible nature allows for customisable leg positioning and post-installation adjustments – so you can reuse your EONA table for various future applications.

1. Frame Finishes

Supported by steel framework, EONA legs are made from 100% post-consumer recycled aluminium, polished as standard. EONA is also available in our current season powdercoat colours listed. Custom colours are also available.



Colours are representative only, please check with your Thinking Works consultant to view samples of any specific colour.

Tables

Round / Square

Materials Information

Leg Finish

Aluminium Legs

- a. Polished - Standard
- b. Zanilla
- c. Pink Salt
- d. Nocturenelle
- e. Minted
- f. Scotland Sky
- g. Green Smoke
- h. Folie
- i. Axel
- j. Blanc
- k. Noir

Frame Finish

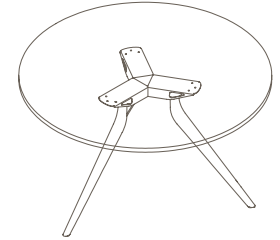
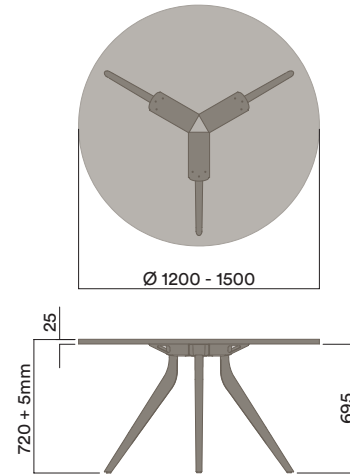
Steel Top Horn

- a. Black Powdercoat

Maximum inc. worktop 90kg
 Maximum Point Load 30kg
 Seats 3-4

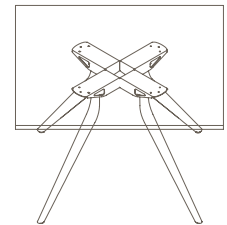
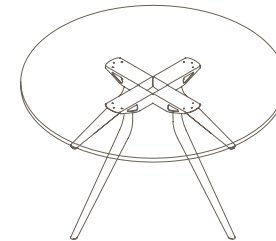
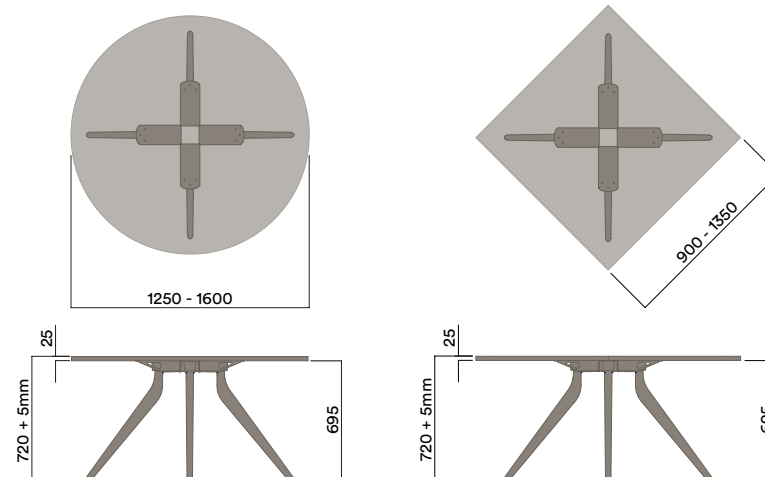
E-3000

720 (standard Height)



E-4000

720 (standard Height)



Tables

Rectangle

Materials Information

Leg Finish

Aluminium Legs

- a. Polished - Standard
- b. Zanilla
- c. Pink Salt
- d. Nocturnelle
- e. Minted
- f. Scotland Sky
- g. Green Smoke
- h. Folie
- i. Axel
- j. Blanc
- k. Noir

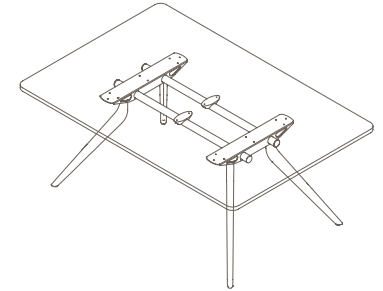
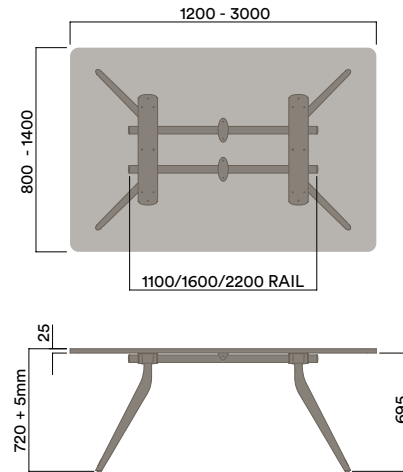
Frame Finish

Steel Top Horn and Rails

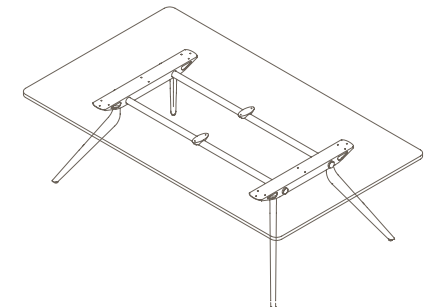
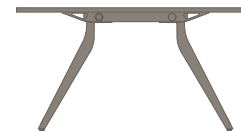
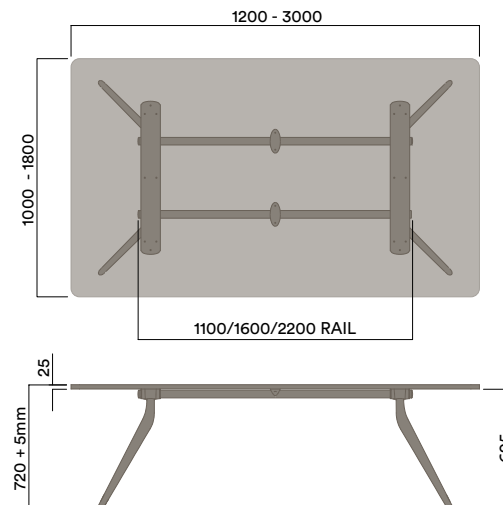
- a. Black Powdercoat

Maximum inc. worktop 100kg
 Maximum Point Load 30kg
 Seats 4 - 8

E-1211, E-1216, E-1222 720 (standard Height)



E-1211-XL, E-1216-XL, E-1222-XL 720 (standard Height)



Tables

Rectangle

Materials Information

Leg Finish

Aluminium Legs

- a. Polished - Standard
- b. Zanilla
- c. Pink Salt
- d. Nocturnelle
- e. Minted
- f. Scotland Sky
- g. Green Smoke
- h. Folie
- i. Axel
- j. Blanc
- k. Noir

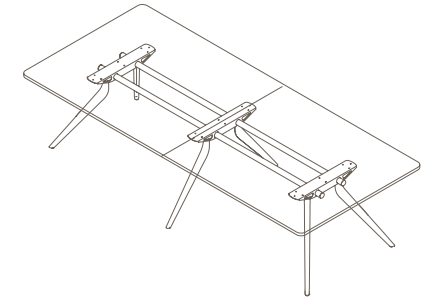
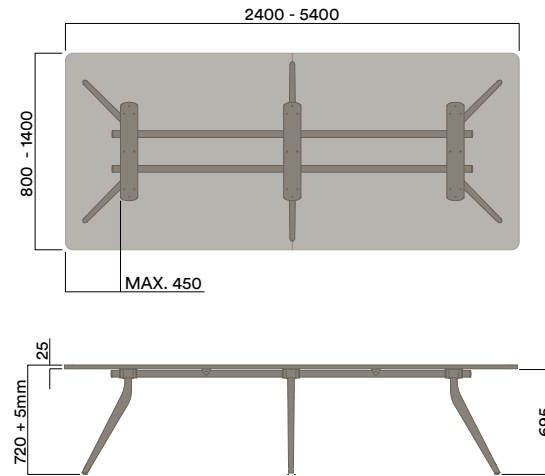
Frame Finish

Steel Top Horn and Rails

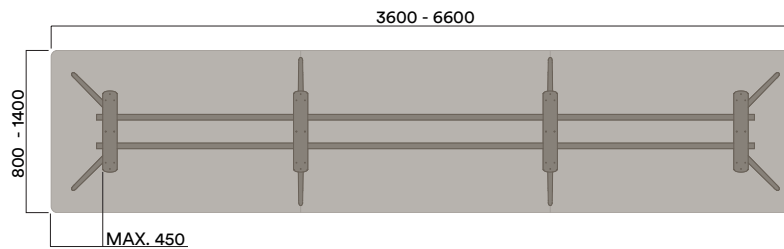
- a. Black Powdercoat

Maximum inc. worktop 160kg
 Maximum Point Load 30kg
 Seats 6 - 24

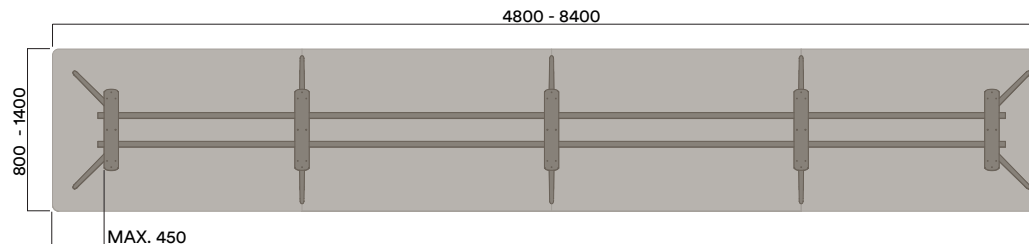
E-1300 6 Leg



E-1400 8 Leg



E-1500 10 Leg



Tables

Rectangle

Materials Information

Leg Finish

Aluminium Legs

- a. Polished - Standard
- b. Zanilla
- c. Pink Salt
- d. Nocturnelle
- e. Minted
- f. Scotland Sky
- g. Green Smoke
- h. Folie
- i. Axel
- j. Blanc
- k. Noir

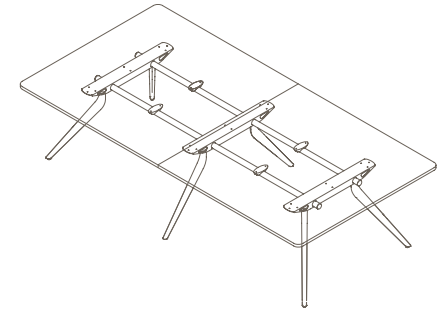
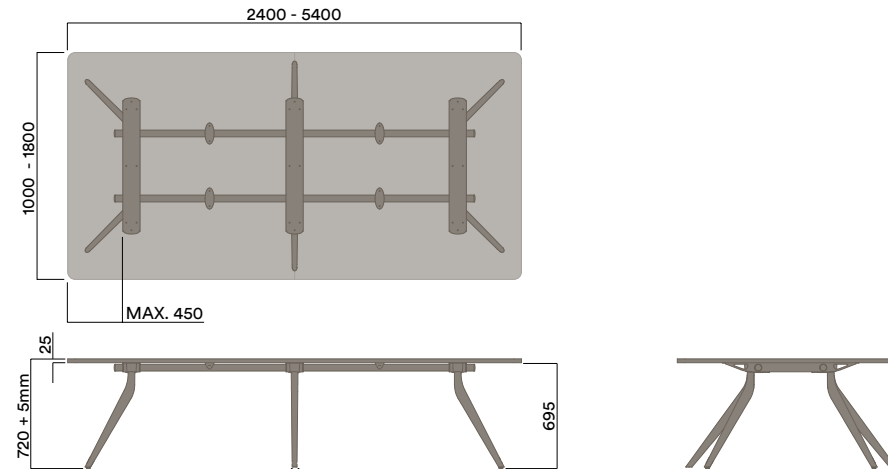
Frame Finish

Steel Top Horn and Rails

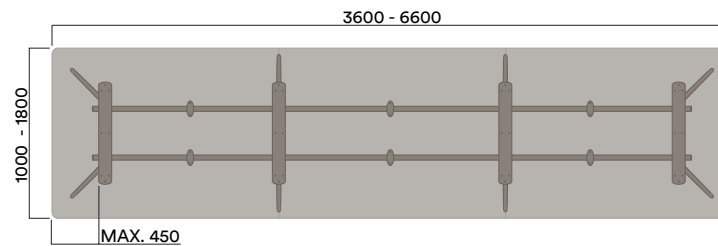
- a. Black Powdercoat

Maximum inc. worktop 160kg
 Maximum Point Load 30kg
 Seats 6 - 24

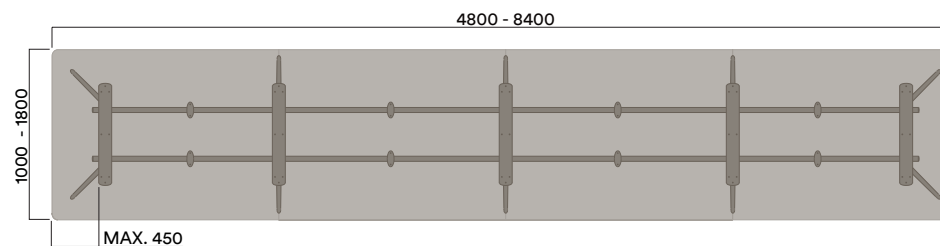
E-1300-XL 6 Leg



E-1400-XL 8 Leg



E-1500-XL 10 Leg





Specification

If you would like a sample set of any of our finishes, please call us on 61 (0)2 9726 7177 or e-mail on sales@thinkingw.com.

Due to our policy of continuous product development, specifications and finishes may change without prior notice.

Sustainability Policy

We realise the importance of responsible business practices and have in place numerous product and company sustainability certifications. We would encourage you to download our annual Sustainability Report from the Thinking Works website to get a full overview of our sustainability program.

Thinking Works
© Copyright 2018
All right reserved

Thinking Works
25 Helles Avenue
Moorebank
New South Wales 2170

www.thinkingw.com
61 (0)2 9726 7177
sales@thinkingw.com