



IntelliKatt

The challenging interactive bowl



TIPS

It is important to monitor the evolution of the cat throughout the IntelliKatt adventure and to let him progress at his own pace.

How to proceed ?

1. It is very important to start with the first level (Beginner bowl **(A)**) to familiarize the animal with the bowl. The IntelliKatt is easier when there is a lot of food in the base.
2. Before going to the next level (IntelliLevel **(C)**), make sure that the beginner bowl is no longer a challenge and that the cat does not hesitate to eat.
3. Gradually increase the level of difficulty. Otherwise, the pet could get demotivated.

Cleaning

Wash pieces in soapy warm water before the first use.

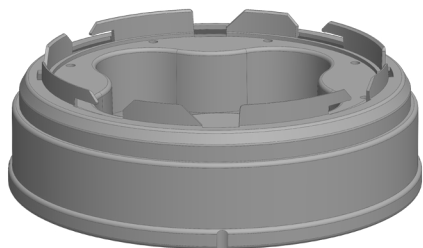
Separate the levels before putting the pieces in the upper part of the dishwasher.

 ***In order to follow the evolution of the pet and his bowl, keep this instruction manual.***

Visit **beonebreed.com** and discover
an assembly video and advice clips



PARTS



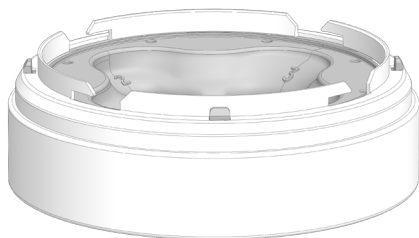
A

Beginner bowl



B

Top



C

IntelliLevels (2x)



D

Limitation discs (2x)



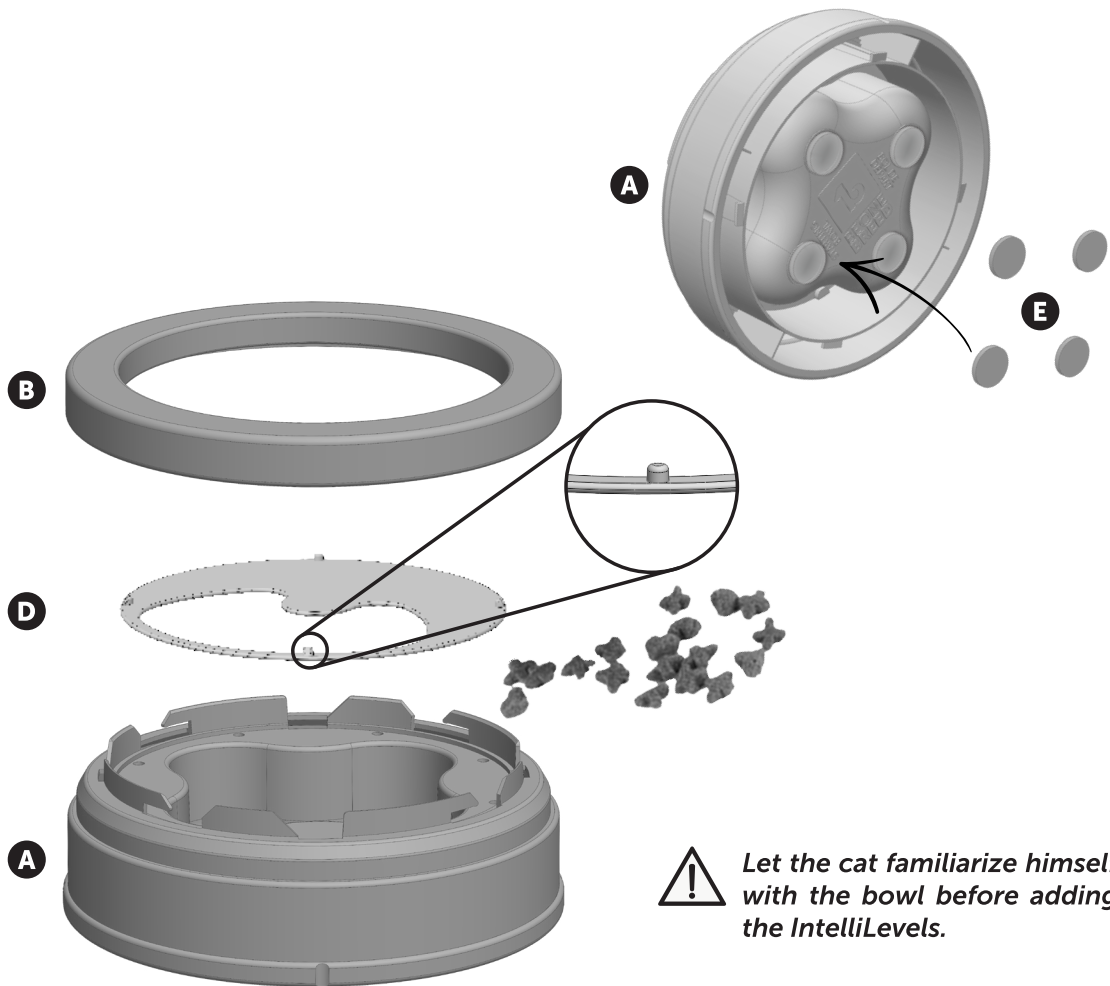
E

Anti-skids (4x)

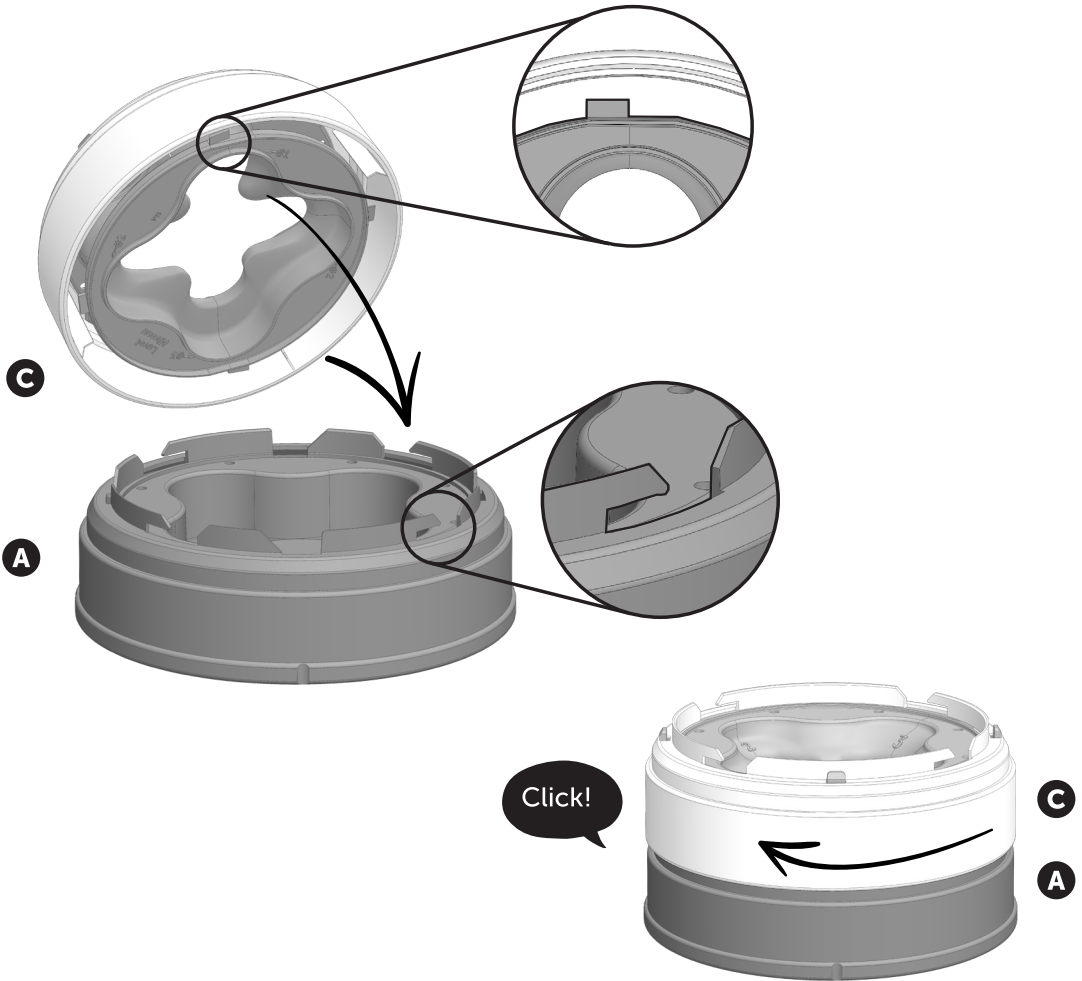


The silicone anti-slip pads are removable and must not go in the dishwasher. Do not let your cat play or eat the anti-slip pads.

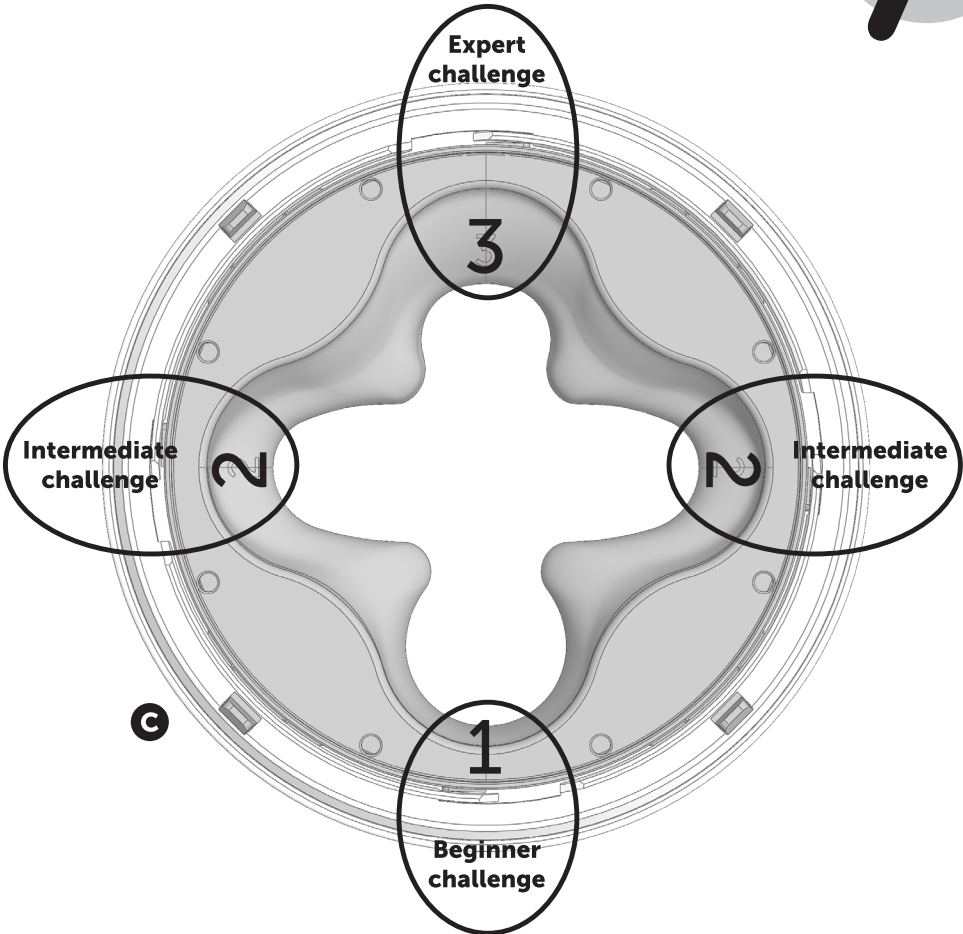
BEGINNER BOWL ASSEMBLY



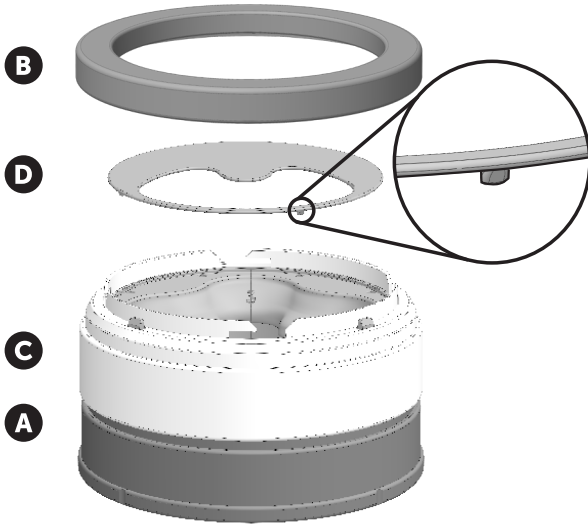
INTELLILEVEL ASSEMBLY



SPOTTING THE CHALLENGES

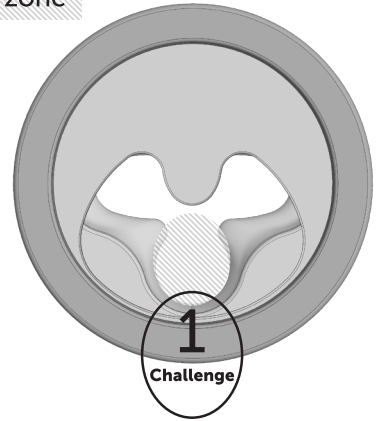


LIMITATION DISCS

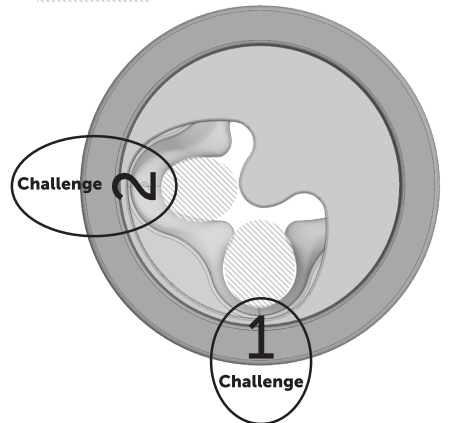


A cat should not be more than 18 hours without eating. If it's the case, the level of difficulty is too high. Go back to an easier level.

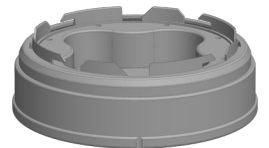
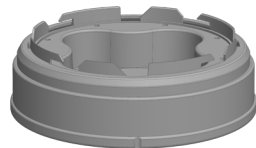
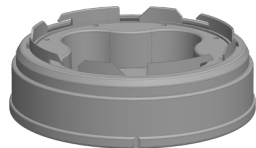
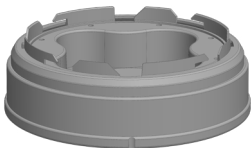
1 zone



2 zones

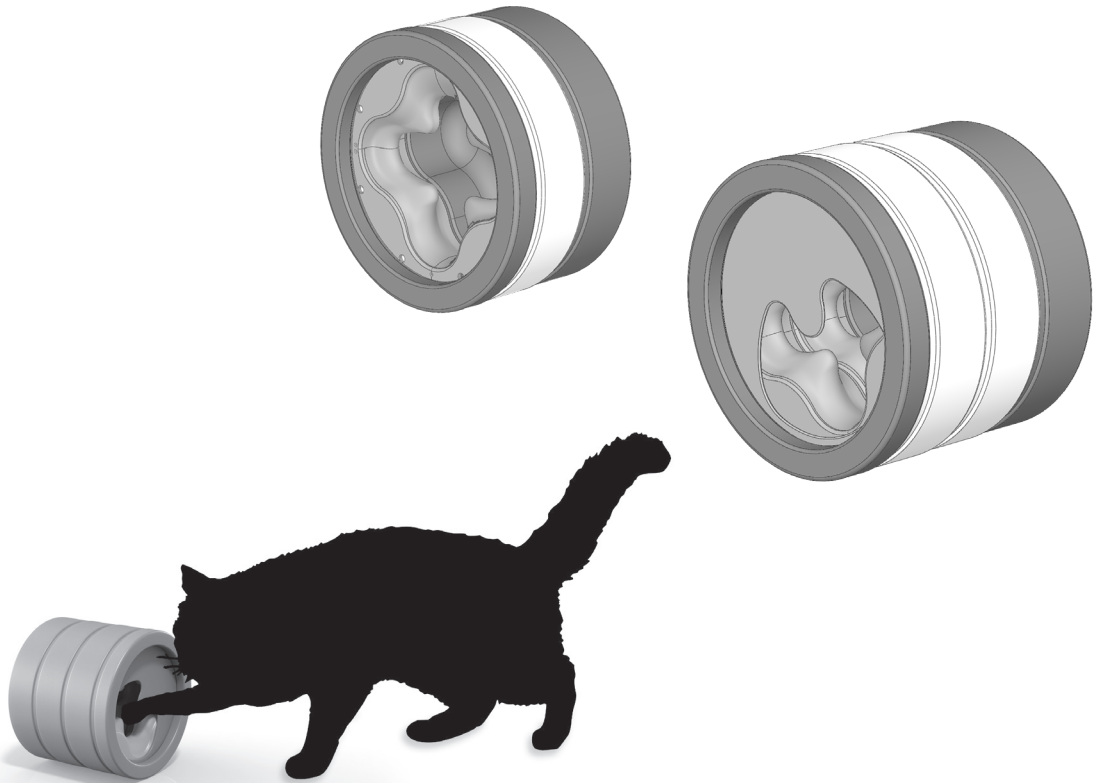


INFINITE POSSIBILITIES



HORIZONTAL USE

Placing the IntelliKatt on the side can be easier to use for some cats. At the beginning, place the IntelliKatt between two objects so it won't roll and do so each time you increase the level of difficulty. Allowing the IntelliKatt to roll can present a superior level of difficulty to many cats or facilitate the task for some when the level becomes too complicated. Each cat develops his skills in a different way.



THE CAT EDUCATOR'S TIPS

WHY THE INTELLIKATT

The conventional food bowls allow an easy access to food and can bring many cats to regurgitate because they are eating too fast.

An interactive bowl like the IntelliKatt presents a stimulating challenge for the cat. The bowl will make him work to obtain his food, as he would in the wild.

The cat won't be able to eat too fast and, when he no longer feels hungry, he will stop eating simply because the cat rarely works if the motivation is gone. Eating will take him longer and will require him more energy, he will adopt less unpleasant and destructive behaviors in the house.

The cat learns very fast and an interactive bowl should have enough levels of difficulty to stimulate him to get his food. Otherwise, the cat will master the concept and the IntelliKatt will no longer represent a challenge.

The IntelliKatt allows more than 500 possibilities to adapt to less agile cats and to more motivated and clever ones.

On another hand, a cat can demotivate himself quickly if the difficulty increases too drastically between each level.

A large number of levels offered by the IntelliKatt allow to keep the cat's motivation and offer him an adapted challenge.

IMPORTANT POINTS

1. The level change seems to demotivate the cat? Use cat treats, cover his kibble with canned food or dip it quickly in tuna juice.

Some cats, who never had to work to get their food, will wait to be hungrier before working to eat. THEREFORE, a cat should not be 18 hours without eating. If it's the case, the level of difficulty is too high. Go back to an easier level and start again slower.

2. The time that a cat will take to familiarize himself to the different levels is proper to each and may vary from a couple days to a couple months and even years.

The goal is not to evaluate the cat's intelligence. Some cats will reach a level of difficulty and stay there a long time before they can progress or even stay there permanently. Do not try to force the cat to a higher level if he is not able to. Respect his limits.

Keep in mind that the IntelliKatt requires a cat to use his practical intelligence, but this is not necessarily his strength. He could develop another kind of intelligence, such as social or emotional intelligence, which are equally as important. The goal is to find a level which allows the cat to work and that it presents an interesting challenge while respecting his limits.



1893, de l'Industrie, Beloeil
Quebec, Canada J3G 0S4

T 450 339-3400
TF 1-855-212-2770

info@beonebreed.com

For more information
and advice clips

beonebreed.com