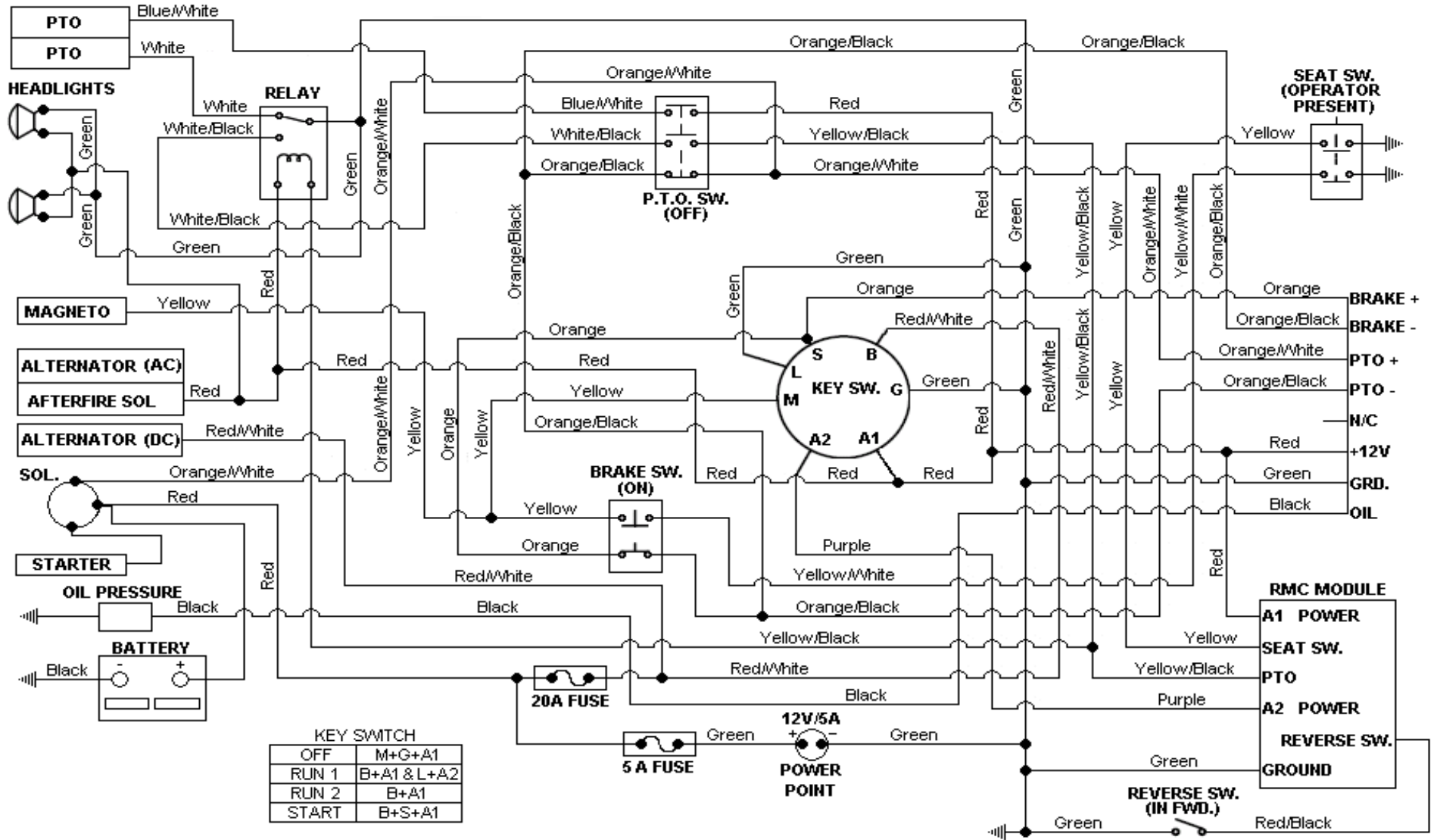


MODEL SLT 1554 (2007)
 HARNESS NUMBER (725-04405)

WWW.PANDPSMALLENGINES.COM
515-265-8889



KEY SWITCH	
OFF	M+G+A1
RUN 1	B+A1 & L+A2
RUN 2	B+A1
START	B+S+A1