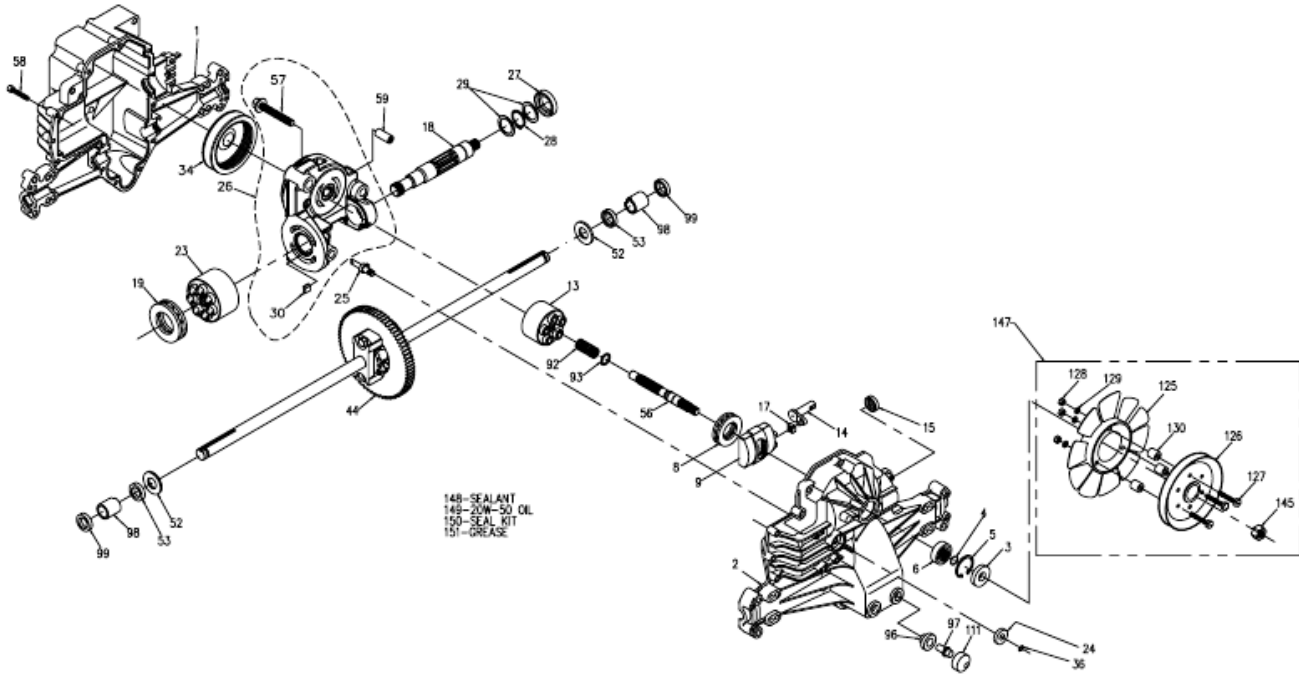


D48001

Parts Breakdown

D48001
325-0500



NOTICE / Proprietary Information: This service schematic and its contents are wholly owned by Hydro-Gear of Skidua, IL, and may not be published or reproduced without the written consent of Hydro-Gear.

Parts Breakdown

#	PART #	DESCRIPTION	QTY	Note
1	44863RM	HOUSING, 0500 LOWER (RAW MATL)	1	
2	70124	KIT, HOUSING, UPPER	1	
		UPPER HOUSING	1	
		TRUNNION JOURNAL BEARING	1	
		CRADLE BEARING	2	
3	9008000-0128	SEAL 15 X 35 X 7 LIP PTC	1	
4	2003016	RING RET 59 EXT WIRE	1	
5	2003052	RING RET 137 INT	1	
6	2003043	BEARING 15X35X11 BALL OPEN 6202	1	
8	50551	BEARING 30X52X13 BALL THRUST	1	
9	2003087	SWASHPLATE 10CC	1	
13	70331	KIT, BLOCK, 10CC CYLINDER	1	
		BLOCK-CYLINDER	1	
		PISTON	5	
		PISTON SPRING	5	
		PISTON SPRING WASHER	5	
14	2003005	ARM, TRUNNION, DOUBLE D	1	
15	9008000-0126	SEAL 12 X 25 X 7 LIP TC	1	
17	2000015	SLOT GUIDE	1	
18	50449	SHAFT, MOTOR 10 T PINI	1	
19	50552	BEARING 42X68X16 BALL THRUST	1	
23	70608	KIT, IHT BLOCK	1	
		BLOCK-CYLINDER	1	
		PISTON	7	
		PISTON SPRING	7	
		PISTON SPRING WASHER	7	
24	45074	SEAL 10 X 25 X 7 LIP	1	
25	2003555	ACTUATOR BYPASS	1	
26	70494	KIT, CENTER SECTION	1	
		PLATE, BYPASS	1	
		CHECK PLUG ASSEMBLY	2	
		CENTER SECTION	1	
		BUSHINGS	2	
		BOLT, 3/8-24 X 2.5	3	
27	45075	SEAL 26 X 42 X 8 LIP	1	
28	50007	RING RET 102 EXT	1	
29	44872	WASHER 1.04 X 1.37 X .04 FLAT	2	
30	70680	KIT, BYPASS PLATE	1	
34	50990	FILTER	1	
36	44870	RING RET 31 EXT	1	
44	70126	KIT, DIFF IHT	1	
		AXLE SHAFT	2	
		72T DIFFERENTIAL GEAR	1	
		DIFFERENTIAL HOUSING	2	
		14T BEVEL GEAR	2	
		10T PLANET GEAR	2	

Parts Breakdown

#	PART #	DESCRIPTION	QTY	Note
		RETAINING RING	2	
		DIFFERENTIAL LOCKING BOLT	2	
		DIFFERENTIAL SPACER	1	
52	44875	WASHER .77 X 1.5 X .10 FLAT	2	
53	45076	SEAL- .75 X 1.25 X .250	2	
56	50005	SHAFT INPUT	1	
57	50016	SCREW 3/8-24 X 2.5 HF W/PATCH	3	
58	44876	SCREW 1/4-20 X 1.37 THC	20	
59	50002	PIN .39 X .50 X 1.12 HOLLOW	2	
92	2003014	SPRING, BLOCK	1	
93	2003017	WASHER .59 X .79 X .04 FLAT	1	
96	50133	BUSHING VENT RUBBER (WHITE)	1	
97	50134	VENT (PLASTIC)	1	
98	50137	BUSHING .75X1.0X1.1 STEPPED	2	
99	50941	SEAL .75 X 1 X .15 LIP	2	
111	50196	CAP VENT	1	
125	50307	FAN 7.0 (10 BLADE)	1	
126	51173	PULLEY 5.5 IN.	1	
127	44276	SCREW 1/4-20 X 1.5 HHC W/PATCH	3	
128	43178	NUT 1/4-20 HEX	3	
129	43177	WASHER .250 LOCK	3	
130	50259	SPACER .26X.57X.62 (BLACK)	3	
145	44133	NUT 1/2-20 HEX JAM W/ PATCH	1	
147	70418	KIT, FAN/PULLEY	1	
		FAN	1	
		PULLEY	1	
		SCREW, 1/4-20 X 1-1/2	3	
		NUT, 1/4-20	3	
		LOCK WASHER	3	
		SPACER	3	
		HEX NUT 1/2-20 (PATCH)	1	
148	50928	SEALANT TUBE	1	
149		20W-50 OIL	77oz	
150	70312	KIT, SEAL	1	
151	50416	GREASE TUBE CHEMPLUS 1-LP	1	