



Count on it.

Parts Catalog

**TimeCutter® MyRide® 54in
Riding Mower**

Model No. 75756—Serial No. 412515219 and Up



Ordering Replacement Parts

To order replacement parts, please supply the part number, the quantity, and the description of each part desired.

Understanding Reference Numbers

Each identified part in an illustration has a reference number. The reference number for a part also appears in the parts list, along with other information about the part.

This catalog uses two special reference number formats, one to indicate parts in a service assembly and another to indicate the quantity of a given part in an illustration.

Service Assembly Reference Numbers

Parts in service assemblies have reference numbers in the form a:b. The a represents the reference number of the entire service assembly and the b represents a sequential number unique to each part within the service assembly.

For example, a wheel assembly might be identified by reference number 6, the tire by 6:1, the valve by 6:2, and the wheel by 6:3. When you order the assembly identified by reference number 6, you receive all parts identified by reference numbers 6:1, 6:2, and 6:3. However, you may also order any part individually. Reference numbers of this type appear in illustration and in parts lists.

Reference Numbers Indicating Quantity

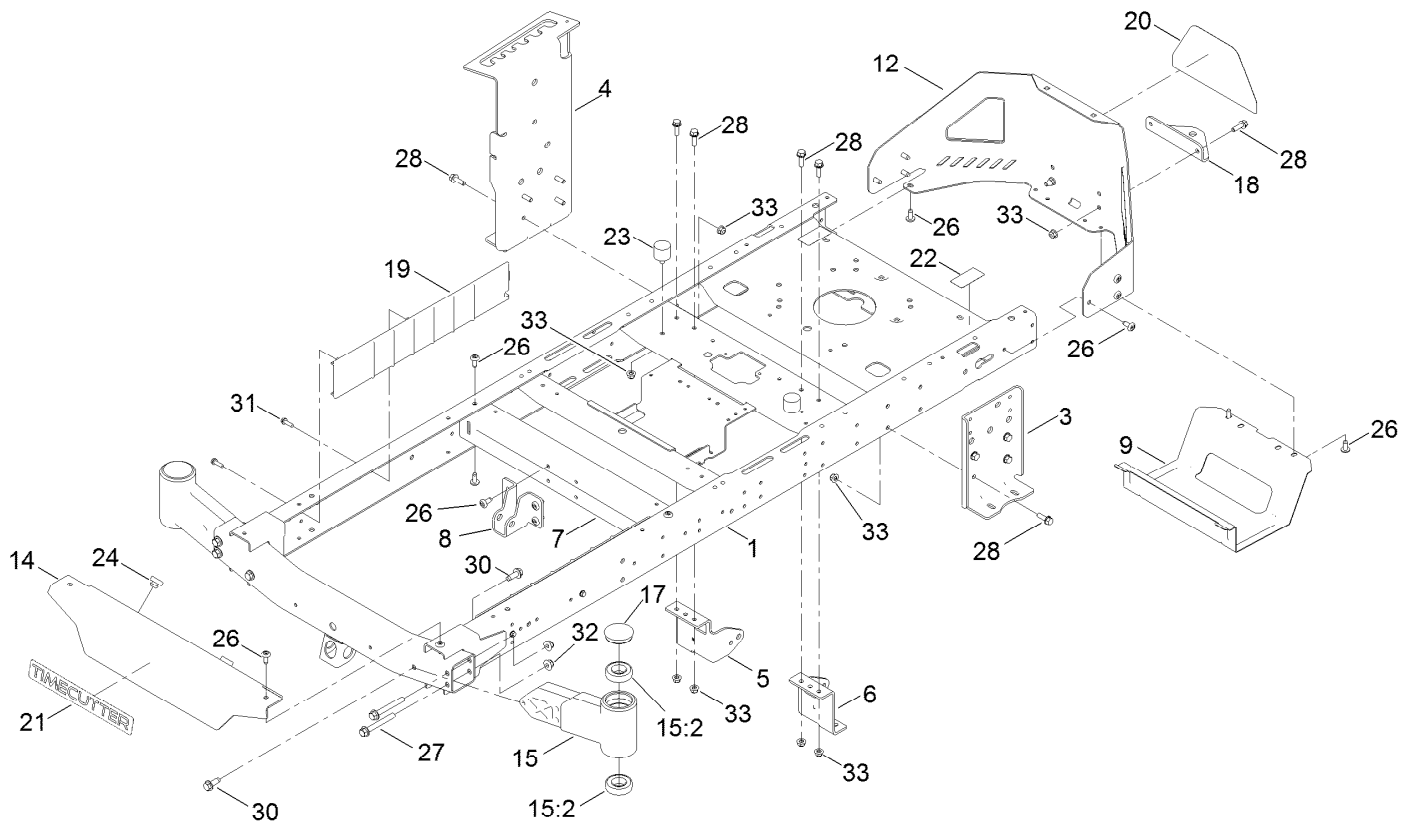
In an illustration, if a reference number indicates more than one part, the reference number has the form nX y. The n represents the quantity of the part, the X is the multiplication symbol, and the y represents the reference number.

For example, in an illustration, the reference number 2X 37 means that two of the parts identified by reference number 37 are indicated.

Contents

Frame Assembly	4
Deck Lift Assembly	6
Caster, Wheel and Tire Assembly	8
Traction Drive Assembly	10
LH Transaxle Assembly No. 139-7470	12
RH Transaxle Assembly No. 139-7471	14
Brake Assembly	16
Rear Tire Assembly	18
Motion Control Assembly	20
Engine Assembly	22
Fuel and Body Styling Assembly	24
Electrical Assembly	26
54in Deck and Decal Assembly	28
Seat Assembly	30
Seat Assembly No. 140-8303	32
Clutch Assembly	34
Attachments and Accessories	36

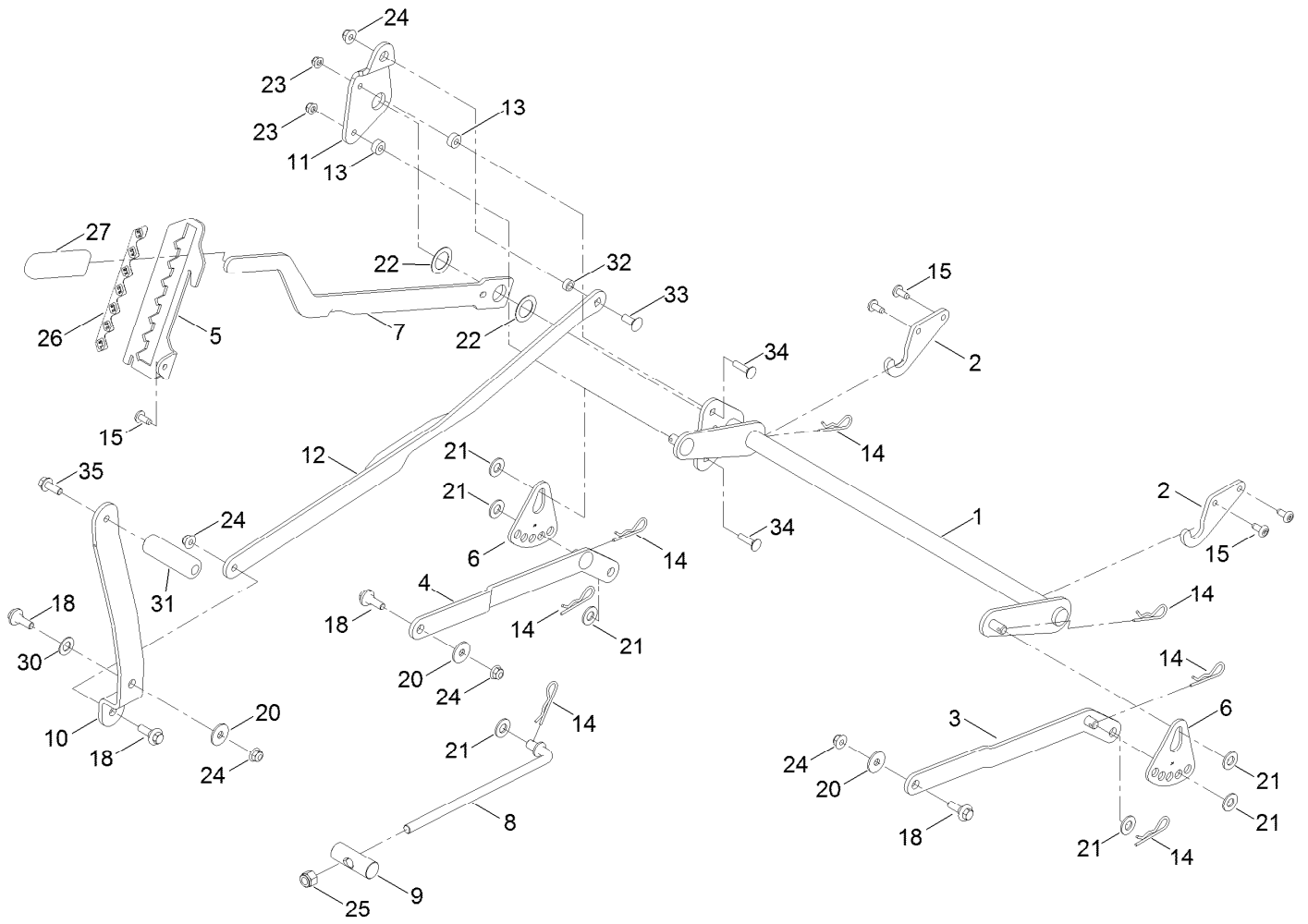
Frame Assembly



Frame Assembly (continued)

<i>Ref.</i>	<i>Part Number</i>	<i>Qty.</i>	<i>Description</i>	<i>Ref.</i>	<i>Part Number</i>	<i>Qty.</i>	<i>Description</i>
1	137-9820-01	1	Frame Assembly	18	117-1232-03	1	Bracket-Hitch
3	138-7520-01	1	Plate-Mount, Hydro	19	138-7516	2	Guard-Rail
4	139-2352-01	1	Plate-Mount Hydro, RH	20	139-5890	1	Decal-Timecutter
5	137-7020-01	1	Mount-Hydro, Front (Right)	21	139-2387	1	Decal-Timecutter
6	139-3211-01	1	Mount-Hydro, Front (Left)	22	121-2989	2	Decal-Bypass
7	138-2527-01	1	Brace-Cross, Lower	23	137-4803	2	Bumper-Rubber
8	139-3260-01	1	Bracket-Mount Damper, Lower	24	140-3460	2	Bumper-Rubber
9	138-0867-03	1	Guard-Muffler	26	138-9753	20	Screw
12	138-9820-03	1	Guard-Engine	27	139-2429	4	Screw-HHF
14	138-7596-01	1	Footrest	28	3234-29	14	Screw-HHF
15	140-2097	2	Axle Stub ASM	30	139-2428	4	Screw-HWH
15:2	109-3678	2	Bearing-Ball	31	46-8091	4	Screw-HWH
17	138-7200	2	Cap-Grease	32	139-2430	4	Nut-HF, NI
				33	104-8300	16	Nut-HF, NI

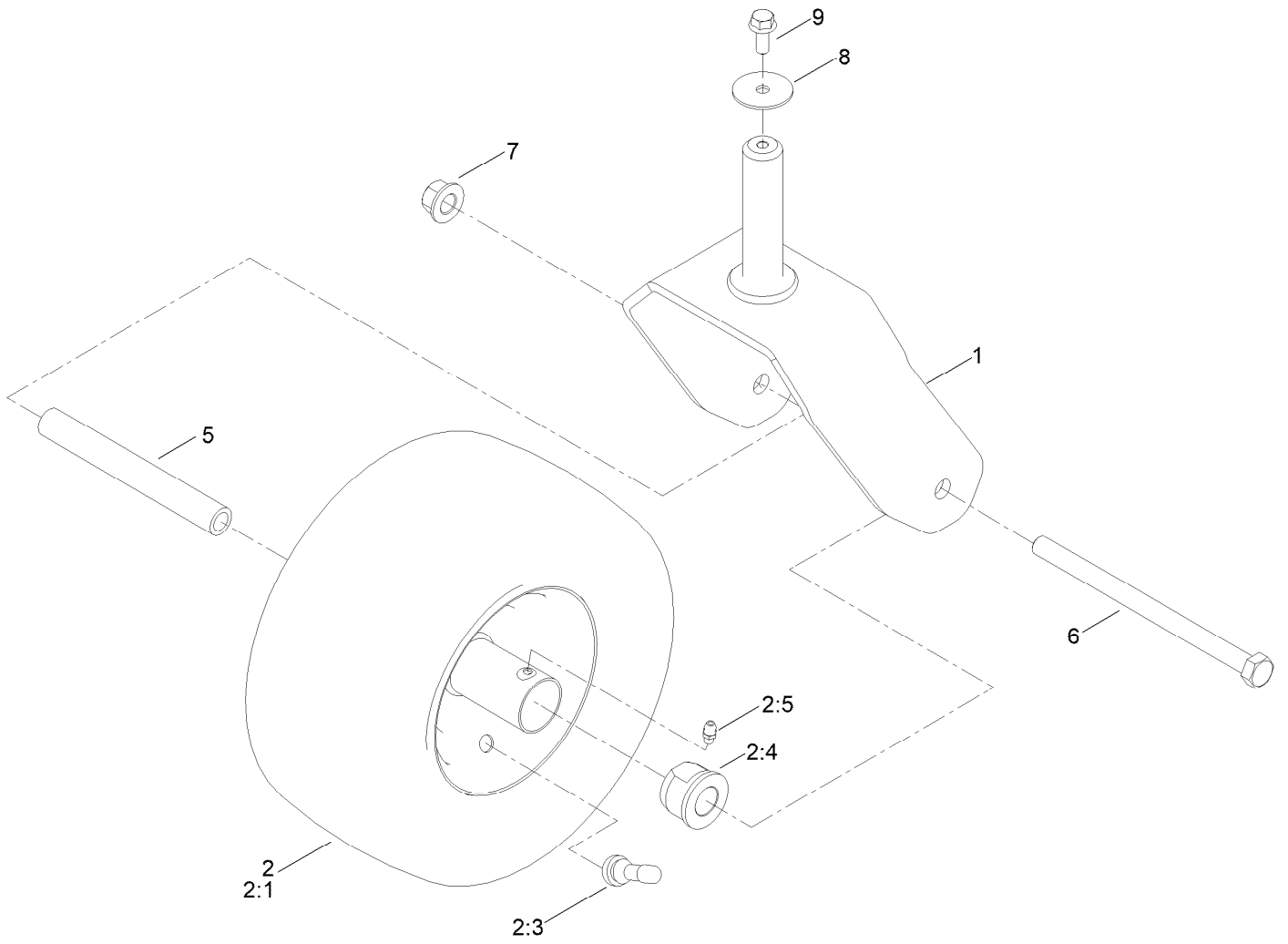
Deck Lift Assembly



Deck Lift Assembly (continued)

<i>Ref.</i>	<i>Part Number</i>	<i>Qty.</i>	<i>Description</i>	<i>Ref.</i>	<i>Part Number</i>	<i>Qty.</i>	<i>Description</i>
1	137-7093-03	1	Deck Lift ASM	18	137-9847	4	Screw-Shoulder
2	138-6021	2	Bracket-Pivot, Decklift	20	93-8806	3	Washer-Hardened
3	137-9844	1	LH Arm ASM	21	3256-26	7	Washer-Flat
4	137-9846	1	RH Arm ASM	22	63-2290	2	Washer-Thrust
5	139-2350-01	1	Bracket-HOC	23	104-8300	2	Nut-HF, NI
6	138-6006	2	Plate-HOC Adjustment	24	104-8301	5	Nut-HF, NI
7	137-7087-03	1	Lever-Lift	25	3296-19	1	Nut-Hex
8	138-6050	1	Rod-Mount, Deck	26	139-2392	1	Decal-HOC
9	119-8810	1	Pin-Pivot	27	1-633268	1	Grip-Lever
10	138-2549-03	1	Pedal-Lift	30	120-2273	1	Washer-Nylon
11	137-7086	1	Plate-Footlift	31	139-7452	1	Pedal-Foot Lift
12	140-2746-03	1	Link ASM	32	140-2093	1	Spacer
13	140-3461	2	Spacer	33	139-2590	1	Screw-CARR
14	1-806005	7	Pin-Cotter	34	3230-3	2	Screw-CARR
15	138-9753	5	Screw	35	139-2597	1	Screw-HHF

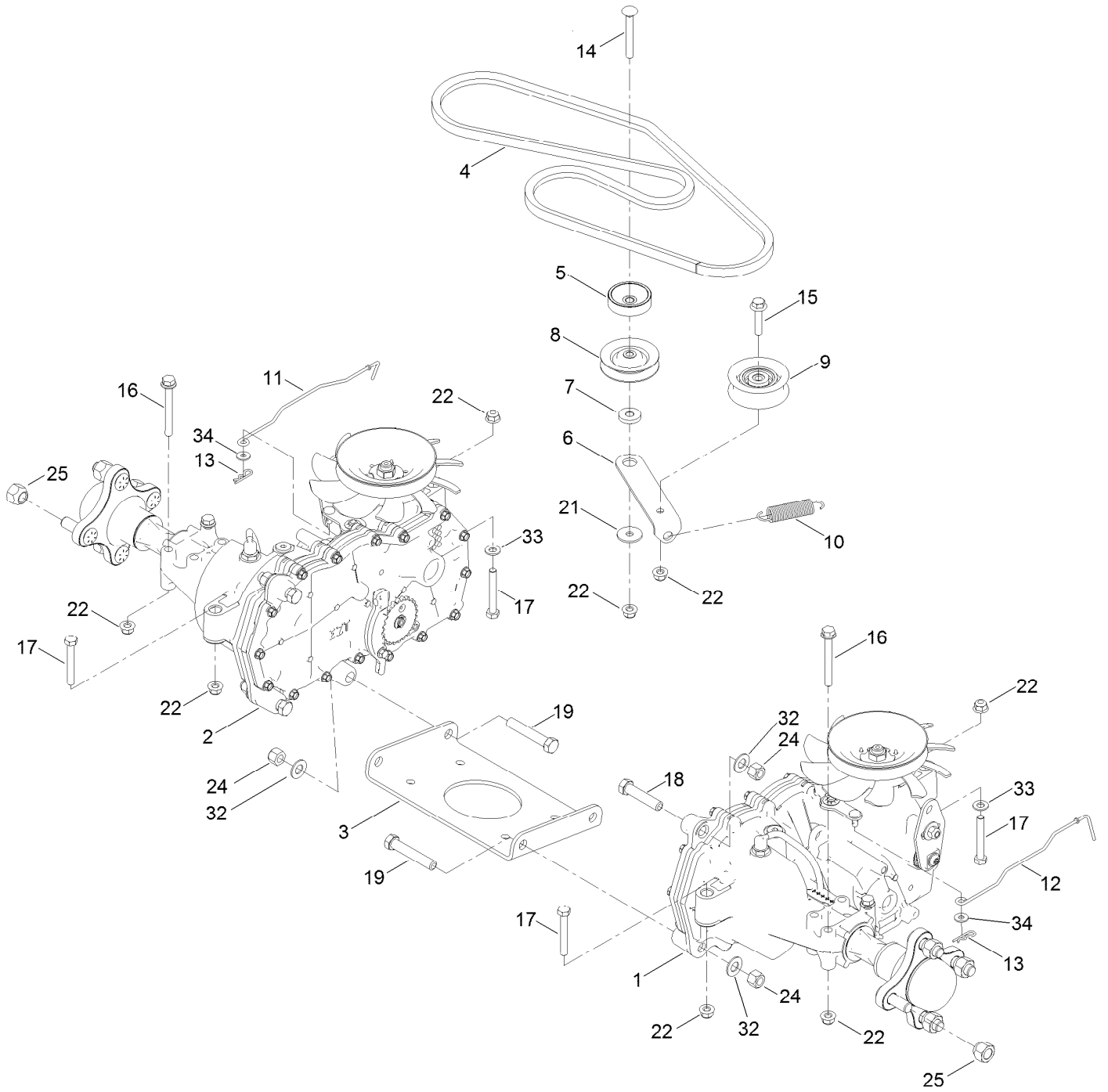
Caster, Wheel and Tire Assembly



Caster, Wheel and Tire Assembly (continued)

<i>Ref.</i>	<i>Part Number</i>	<i>Qty.</i>	<i>Description</i>	<i>Ref.</i>	<i>Part Number</i>	<i>Qty.</i>	<i>Description</i>
1	138-9839-01	2	Fork ASM	5	138-9803	2	Spacer-Spanner
2	139-5843	2	Tire ASM	6	325-36	2	Screw-HH
2:1	140-0374	1	Tire	7	99-5107	2	Nut-Lock
2:3	232-27	1	Stem-Valve	8	3256-68	2	Washer-Flat
2:4	114-1640	2	Bushing-Flange	9	3234-47	2	Screw-HHF
2:5	302-5	1	Fitting-Grease				

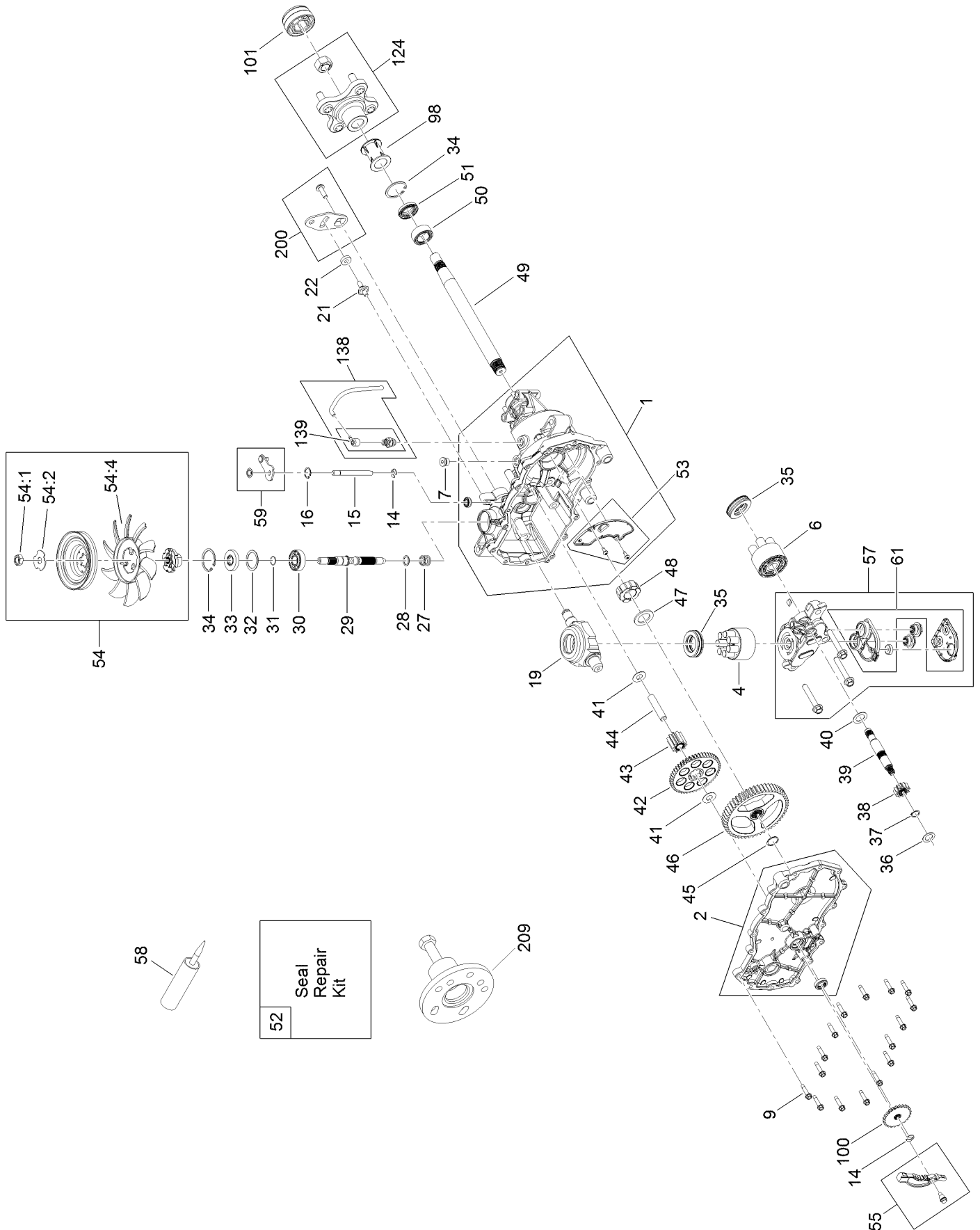
Traction Drive Assembly



Traction Drive Assembly (continued)

<i>Ref.</i>	<i>Part Number</i>	<i>Qty.</i>	<i>Description</i>	<i>Ref.</i>	<i>Part Number</i>	<i>Qty.</i>	<i>Description</i>
1	139-7470	1	LH Hydro Transaxle ASM	14	3230-8	1	Screw-CARR
2	139-7471	1	RH Hydro Transaxle ASM	15	115-1794	1	Screw-HHF
3	138-2571-03	1	Crossplate-Hydro	16	138-7590	4	Screw-HHF
4	139-2399	1	V-Belt	17	322-11	4	Screw-HH
5	138-9809	1	Spacer	18	324-8	2	Screw-HH
6	138-7276	1	Arm-Idler	19	324-10	4	Screw-HH
7	138-7277	1	Spacer-Arm, Idler	21	5-4460	1	Washer-Pivot
8	68-0030	1	Idler	22	104-8300	10	Nut-HF, NI
9	138-7597	1	Pulley-Idler, Flat	24	3296-48	6	Nut-Hex
10	137-7040	1	Spring-Return, Pedal	25	242-50	8	Nut-Lug
11	138-7245	1	Rod-Bypass, RH	32	3256-25	6	Washer-Flat
12	138-7243	1	Rod-Bypass, LH	33	3256-23	2	Washer-Plain
13	3290-307	2	Pin-Cotter	34	119-8952	2	Washer

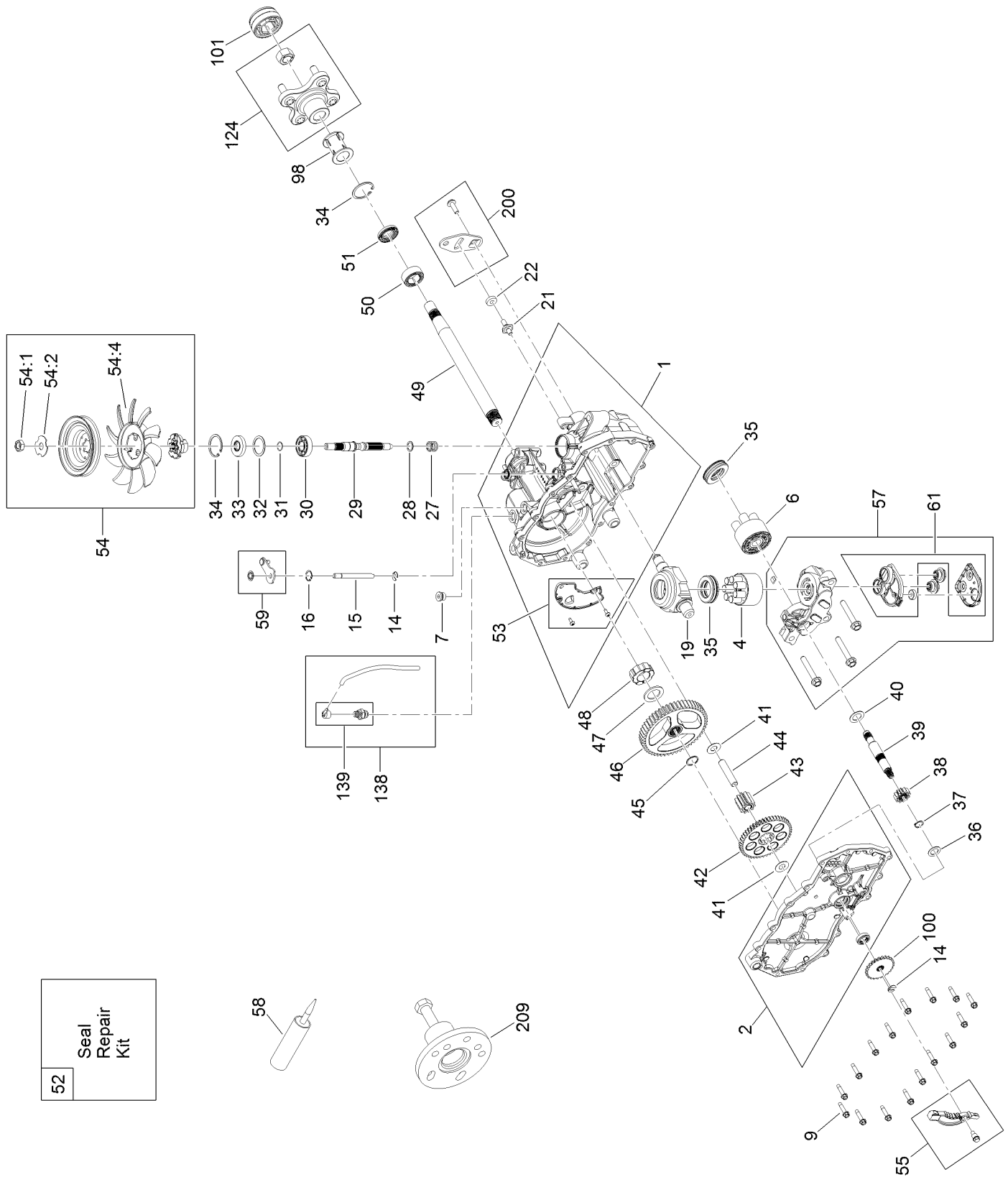
LH Transaxle Assembly No. 139-7470



LH Transaxle Assembly No. 139-7470 (continued)

<i>Ref.</i>	<i>Part Number</i>	<i>Qty.</i>	<i>Description</i>	<i>Ref.</i>	<i>Part Number</i>	<i>Qty.</i>	<i>Description</i>
1	106-8695	1	Main Housing ASM	41	94-1933	2	Washer
2	106-8696	1	Side ASM	42	132-0911	1	Gear-49T
4	110-8561	1	Pump Block ASM	43	104-5318	1	Gear-Jackshaft, 10T
6	103-2666	1	Cylinder Block Kit	44	104-5329	1	Pin-Jackshaft
7	104-2189	1	Plug-Thread, Straight	45	112-9854	1	Ring-Spiral, Retaining
9	117-5359	16	Screw-HHF	46	112-9855	1	Gear-52T, Bull
14	106-8677	2	Ring-Retaining, External	47	112-9856	1	Washer
15	106-8678	1	Rod-Bypass	48	112-9857	1	Bearing-Sleeve
16	106-8679	1	Ring-Retaining, Internal	49	120-7104	1	Shaft-Axle
19	104-5304	1	Swashplate-Trunnion	50	112-9859	1	Bushing-Axle
21	104-2116	1	Stud	51	112-9860	1	Seal-Lip
22	112-9853	1	Puck-Friction	52	106-8686	1	Seal Kit
27	94-1936	1	Spring-Block	53	106-8697	1	Expansion Plate Kit
28	94-1937	1	Washer-Thrust	54	135-7349	1	Fan And Pulley Kit
29	104-5306	1	Shaft-Input	55	106-8688	1	Brake Arm Kit
30	104-5311	1	Bearing-Ball	57	112-9861	1	Center Section Filter Kit
31	104-5307	1	Ring-Retaining	59	120-5549	1	Bypass Kit
32	104-5308	1	Spacer	61	114-1634	1	Filter Kit
33	104-5310	1	Seal-Lip	98	120-7109	1	Tube-Axle
34	104-5309	2	Ring-Retaining	100	106-8694	1	Disc-Brake, Cog
35	94-6922	2	Bearing-Thrust	101	115-5057	1	Cover-Nut, Axle
36	104-5339	1	Washer-Flat	124	109-5939	1	Hub Kit
37	104-5340	1	Ring-Retaining	138	112-9866	1	Breather Kit
38	132-0912	1	Gear-12T	139	114-1635	1	Breather ASM
39	106-8683	1	Shaft-Motor	200	117-5362	1	Control Arm Kit
40	104-5360	1	Washer	209	114-8467	1	Puller-Hub, 4 Bolt

RH Transaxle Assembly No. 139-7471



RH Transaxle Assembly No. 139-7471 (continued)

<i>Ref.</i>	<i>Part Number</i>	<i>Qty.</i>	<i>Description</i>	<i>Ref.</i>	<i>Part Number</i>	<i>Qty.</i>	<i>Description</i>
1	106-8674	1	Main Housing ASM	41	94-1933	2	Washer
2	106-8675	1	Side ASM	42	132-0911	1	Gear-49T
4	110-8561	1	Pump Block ASM	43	104-5318	1	Gear-Jackshaft, 10T
6	103-2666	1	Cylinder Block Kit	44	104-5329	1	Pin-Jackshaft
7	104-2189	1	Plug-Thread, Straight	45	112-9854	1	Ring-Spiral, Retaining
9	117-5359	16	Screw-HHF	46	112-9855	1	Gear-52T, Bull
14	106-8677	2	Ring-Retaining, External	47	112-9856	1	Washer
15	106-8678	1	Rod-Bypass	48	112-9857	1	Bearing-Sleeve
16	106-8679	1	Ring-Retaining, Internal	49	120-7104	1	Shaft-Axle
19	104-5304	1	Swashplate-Trunnion	50	112-9859	1	Bushing-Axle
21	104-2116	1	Stud	51	112-9860	1	Seal-Lip
22	112-9853	1	Puck-Friction	52	106-8686	1	Seal Kit
27	94-1936	1	Spring-Block	53	106-8687	1	Expansion Plate Kit
28	94-1937	1	Washer-Thrust	54	135-7349	1	Fan And Pulley Kit
29	104-5306	1	Shaft-Input	55	106-8688	1	Brake Arm Kit
30	104-5311	1	Bearing-Ball	57	112-9862	1	Center Section Filter Kit
31	104-5307	1	Ring-Retaining	59	107-2489	1	Bypass Arm Kit
32	104-5308	1	Spacer	61	114-1634	1	Filter Kit
33	104-5310	1	Seal-Lip	98	120-7109	1	Tube-Axle
34	104-5309	2	Ring-Retaining	100	106-8694	1	Disc-Brake, Cog
35	94-6922	2	Bearing-Thrust	101	115-5057	1	Cover-Nut, Axle
36	104-5339	1	Washer-Flat	124	109-5939	1	Hub Kit
37	104-5340	1	Ring-Retaining	138	112-9866	1	Breather Kit
38	132-0912	1	Gear-12T	139	114-1635	1	Breather ASM
39	106-8683	1	Shaft-Motor	200	117-5362	1	Control Arm Kit
40	104-5360	1	Washer	209	114-8467	1	Puller-Hub, 4 Bolt

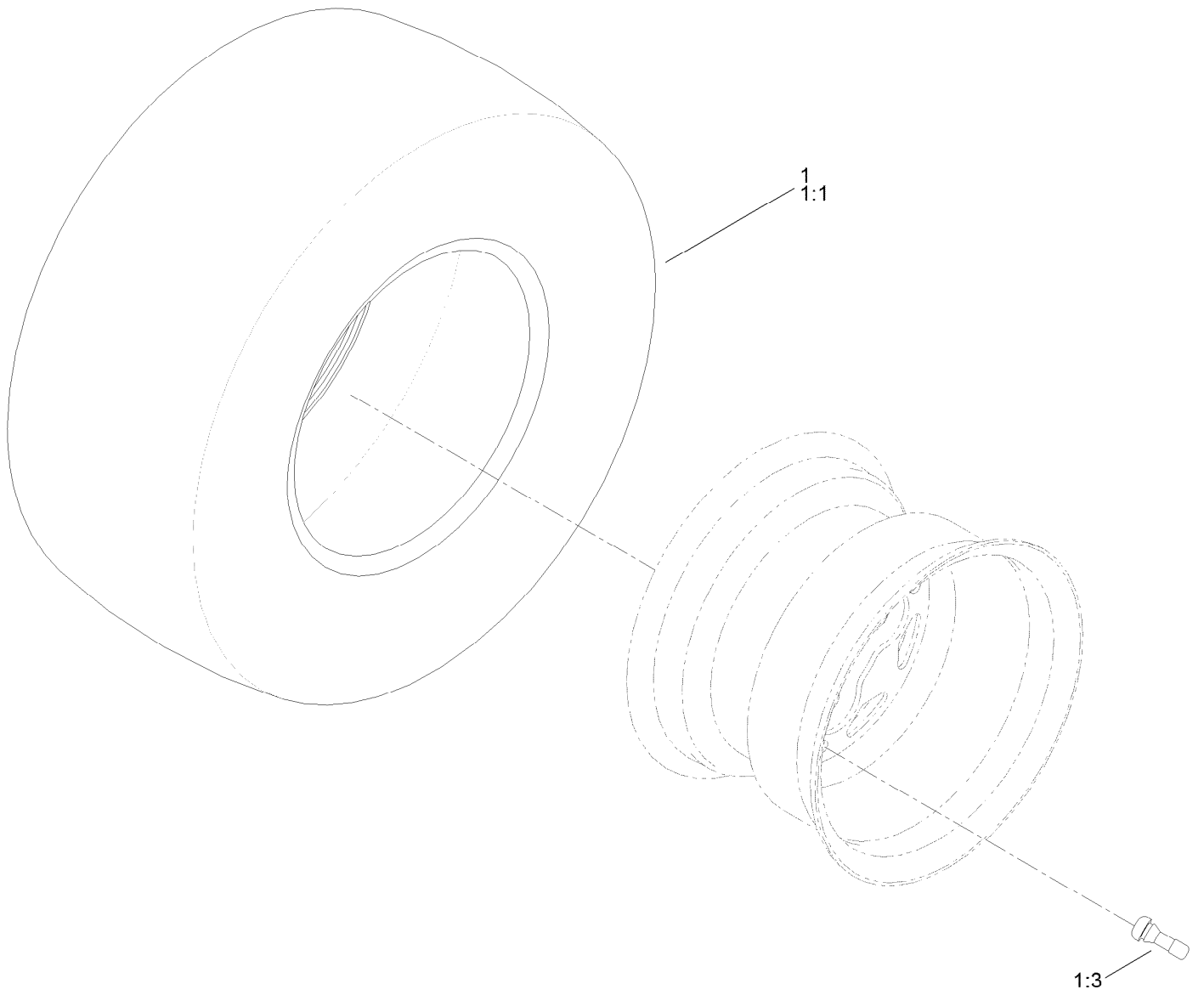
Brake Assembly



Brake Assembly (continued)

<i>Ref.</i>	<i>Part Number</i>	<i>Qty.</i>	<i>Description</i>	<i>Ref.</i>	<i>Part Number</i>	<i>Qty.</i>	<i>Description</i>
1	138-2514	1	Brake Box ASM	7	3290-307	2	Pin-Cotter
2	133-9284-03	1	Bracket-Mount, Brake	8	32144-36	4	Screw-PPH
3	138-2591	1	Rod-Brake, LH	9	32144-4	2	Screw-HWH
4	138-2592	1	Rod-Brake, RH	10	119-8952	6	Washer
5	117-1169	4	Spring-Compression	11	3296-42	2	Nut-Lock, NI

Rear Tire Assembly

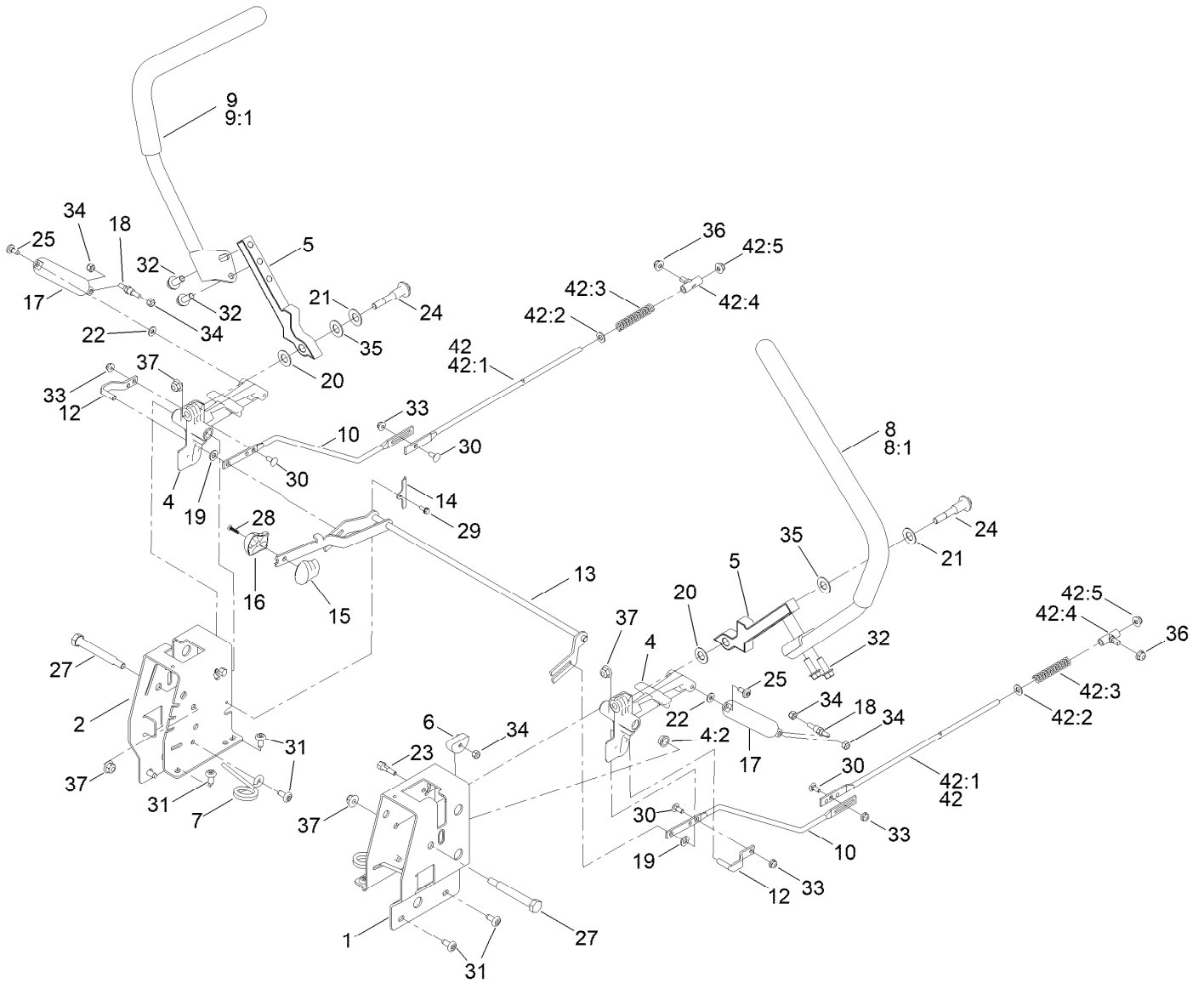


Rear Tire Assembly (continued)

<i>Ref.</i>	<i>Part Number</i>	<i>Qty.</i>	<i>Description</i>	<i>Ref.</i>	<i>Part Number</i>	<i>Qty.</i>	<i>Description</i>
1	139-5849	2	Tire ASM	1:3	232-27	1	Stem-Valve
1:1	133-9293	1	Tire	1:99	105-4070	1	Tube-Inner ●

● Not illustrated

Motion Control Assembly

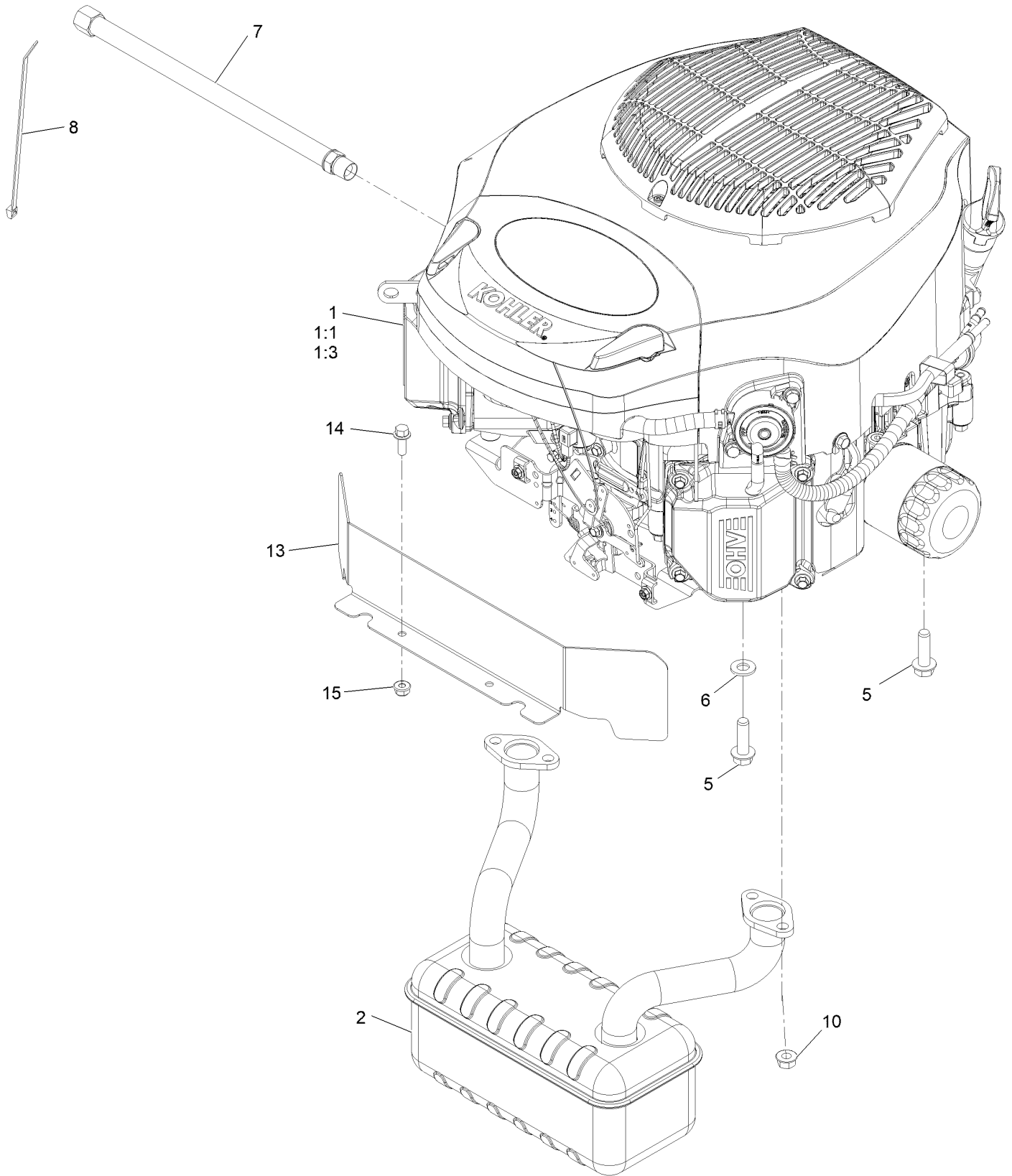


Motion Control Assembly (continued)

<i>Ref.</i>	<i>Part Number</i>	<i>Qty.</i>	<i>Description</i>	<i>Ref.</i>	<i>Part Number</i>	<i>Qty.</i>	<i>Description</i>
1	138-7598-03	1	Plate-Control Box, LH	22	119-8952	2	Washer
2	138-7599-03	1	Plate-Control Box, RH	23	139-5811	2	Bolt-Pivot, Eccentric
4	119-3470	2	Actuator Arm ASM	24	117-1198	2	Bolt-Pivot
4:2	256-156	2	Bushing-Flange	25	120-7950	2	Screw-Torx
5	133-9299-05	2	Arm-Control	27	115-5099	2	Bolt-Pivot
6	139-5803	2	Eccentric	28	94-4496	1	Screw-PPH
7	138-7539	2	Spring-Torsion	29	32144-1	2	Screw-Taptite
8	133-7055	1	Handle-Control, LH	30	3229-11	4	Screw-CARR
8:1	121-0726	1	Grip	31	138-9753	10	Screw
9	133-7057	1	Handle-Control, RH	32	3234-42	4	Screw-HHF
9:1	121-0726	1	Grip	33	104-7201	4	Nut-HF, NI
10	138-2580	2	Rod-Hydro, Front	34	3296-42	6	Nut-Lock, NI
12	121-1753	2	Pin-Rod, Hydro	35	117-1240	2	Washer
13	138-9750	1	Speed Control ASM	36	119-4041	2	Nut-HF
14	138-7541	2	Plate-Retainer	37	104-8301	4	Nut-HF, NI
15	132-9368	1	Knob-RH	42		2	Rod Hydro ASM ●
16	132-9369	1	Knob-LH	42:1	144-1818	1	Rod-Hydro, Rear
17	132-6853	2	Damper-Non Cavitating	42:2	120-9683	1	Washer-Plain
18	138-7215	2	Stud-Damper	42:3	138-7252	1	Spring-Compression
19	93-6079	2	Spacer-Nylon	42:4	138-7218	1	Mount-Rod, Hydro
20	120-2273	2	Washer-Nylon	42:5	119-4041	1	Nut-HF
21	119-8925	2	Washer-Belleville				

● Not serviced separately

Engine Assembly



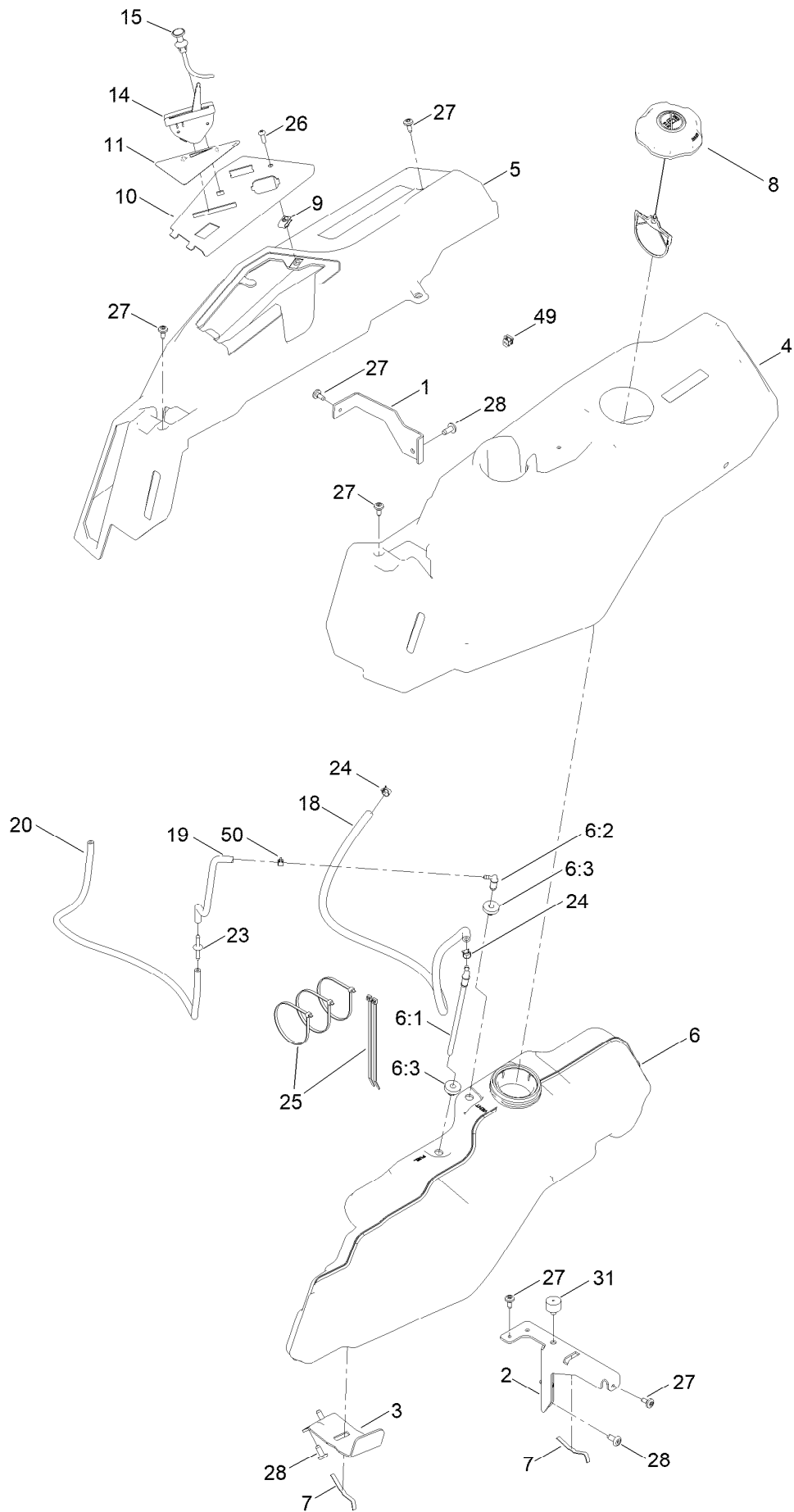
Engine Assembly (continued)

<i>Ref.</i>	<i>Part Number</i>	<i>Qty.</i>	<i>Description</i>	<i>Ref.</i>	<i>Part Number</i>	<i>Qty.</i>	<i>Description</i>
1		1	Engine-Kohler, Kt735 ■▲	7	117-1261	1	Hose-Drain, Oil
1:1	110-6697	2	Gasket-Exhaust ●	8	614249	1	Tie-Cable
1:3	281-2	1	Plug-Pipe, SQH ●	10	33004-00	4	Nut-HF
2	147-5194	1	Muffler	13	147-5195-03	1	Shield-Heat
5	32144-109	4	Screw-Thd	14	120-9678	2	Screw-HHF
6	3256-24	3	Washer-Flat	15	119-4040	2	Nut-HF, NI

● Not illustrated
 ▲ Obtain parts from www.kohlerplus.com

■ Not serviced separately

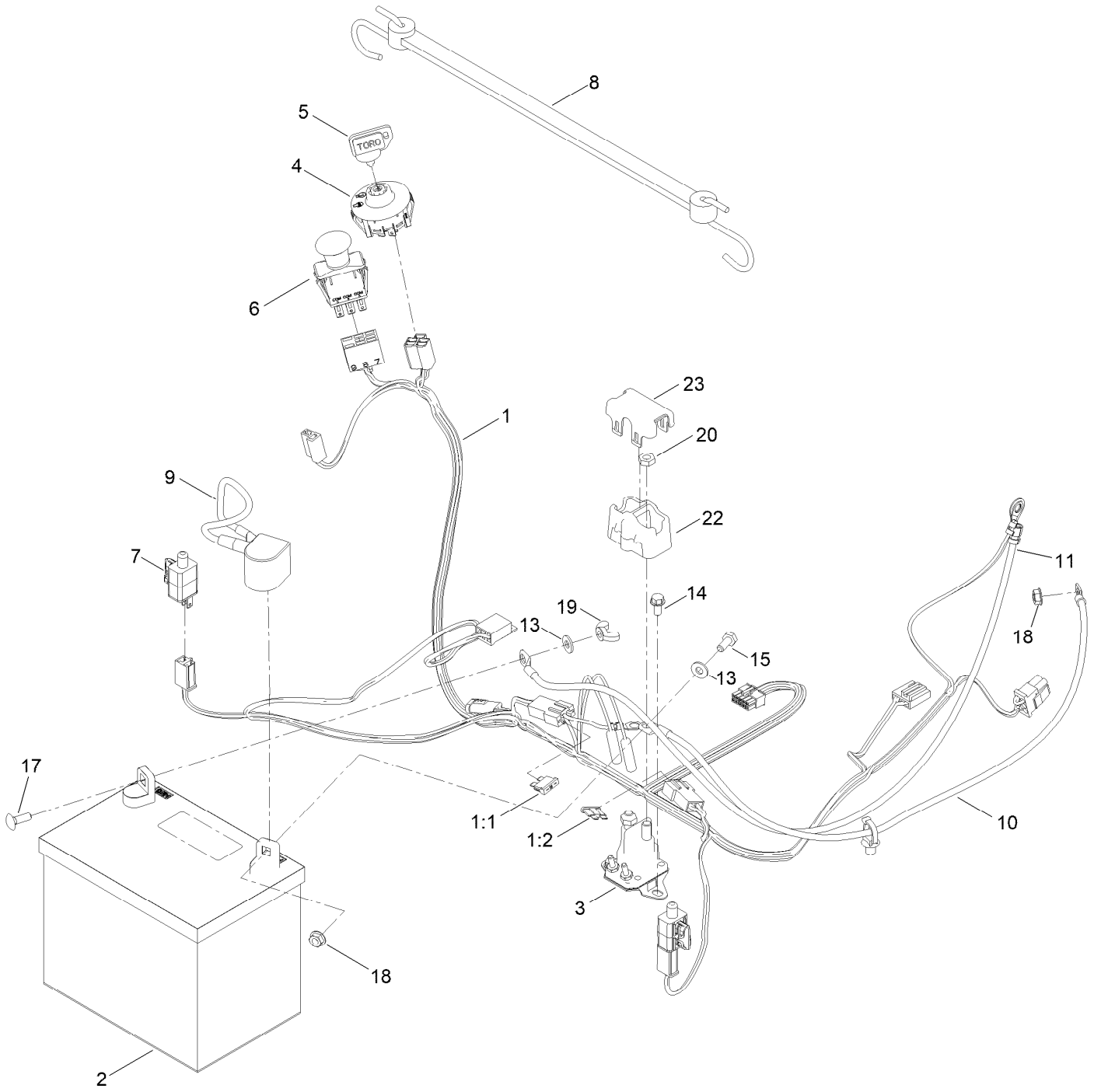
Fuel and Body Styling Assembly



Fuel and Body Styling Assembly (continued)

<i>Ref.</i>	<i>Part Number</i>	<i>Qty.</i>	<i>Description</i>	<i>Ref.</i>	<i>Part Number</i>	<i>Qty.</i>	<i>Description</i>
1	138-9810-03	1	Bracket-Pod	15	139-2402	1	Cable-Choke
2	138-6071-03	1	Support-Pod, LH	18	110-5702	1	Hose-Fuel
3	139-3271-03	1	Support-Tank, Fuel	19	136-6345	1	Hose-Fuel
4	138-6074	1	Pod-LH	20	119-6074	1	Hose-Fuel
5	139-2404	1	Pod-RH, Myride	23	144-1983	1	Adapter Orifice
6	144-5304	1	Tank-Fuel ASM	24	2412-98	2	Clamp-Hose
6:1	139-1091	1	Connector-Elbow, 90 DEG	25	3290-379	3	Tie-Cable
6:2	144-5302	1	Fitting-Elbow 90	25	614249	2	Tie-Cable
6:3	46-6560	2	Bushing	26	3258-166	1	Screw-PRH
7	609830	2	Spring	27	120-7950	6	Screw-Torx
8	137-4119	1	Cap-Fuel, Ratcheting	28	138-9753	5	Screw
9	107069	1	Clip	31	120-7893	1	Bumper-Grommet
10	139-2380-03	1	Panel - Control	49	32180-418	1	Clip-Harness
11	139-2391	1	Decal-Panel, Control	50	2412-80	1	Clamp-Hose
14	139-3267	1	Cable-Throttle				

Electrical Assembly

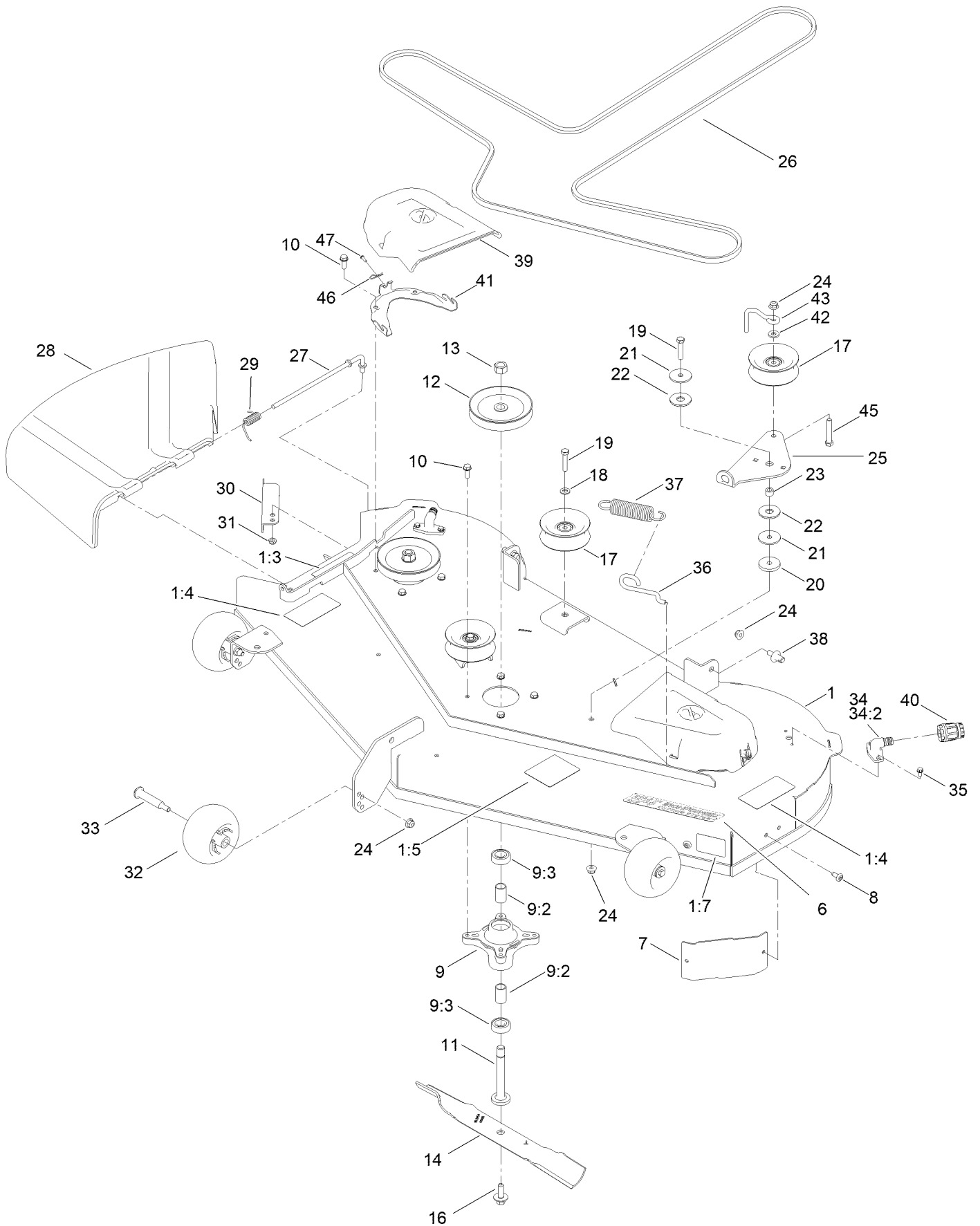


Electrical Assembly (continued)

<i>Ref.</i>	<i>Part Number</i>	<i>Qty.</i>	<i>Description</i>	<i>Ref.</i>	<i>Part Number</i>	<i>Qty.</i>	<i>Description</i>
1	138-2521	1	Harness-Wire	10	139-2431	1	Cable-Battery, Red (8 Gauge)
1:1	109355	1	Fuse-Blade, 15 Amp ●	11	121-5726	1	Cable-Battery, Black
1:2	109102	1	Fuse-Blade, 25 Amp ●	13	3256-22	2	Washer-Flat
2	105-1692	1	Battery, 230CCA W/O Electrolyte	14	32144-4	2	Screw-HWH
3	117-1197	1	Solenoid	15	321-3	1	Screw-HH
4	137-4100	1	Switch-Ignition	17	3229-1	1	Screw-CARR
5	63-8360	1	Key-Ignition	18	32128-33	2	Nut-HF
6	103-5221	1	Switch-PTO	19	32103-22	1	Nut-Wing
7	110-6765	2	Switch	20	3220-2	2	Nut-Jam
8	139-2381	1	Strap-Rubber	22	140-2080	1	Cover-Solenoid
9	140-2713	1	Cable-Battery, Pos	23	140-2081	1	Cap-Solenoid

● Not illustrated

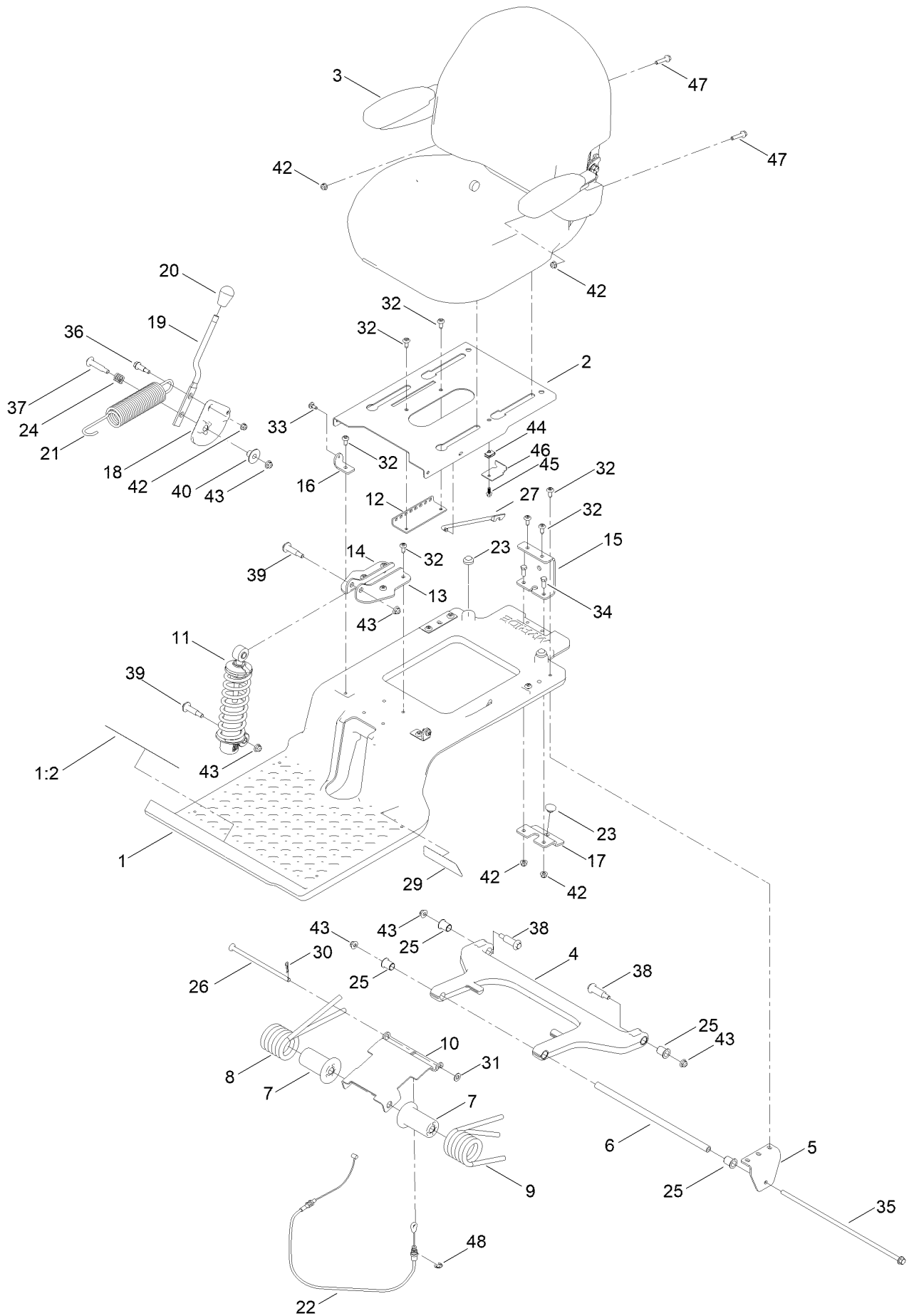
54in Deck and Decal Assembly



54in Deck and Decal Assembly (continued)

<i>Ref.</i>	<i>Part Number</i>	<i>Qty.</i>	<i>Description</i>	<i>Ref.</i>	<i>Part Number</i>	<i>Qty.</i>	<i>Description</i>
1	138-9766	1	54In Deck And Decal ASM	24	104-8301	7	Nut-HF, NI
1:3	130-0731	1	Decal-Danger	25	138-7262	1	Arm-Idler
1:4	132-0872	2	Decal-Danger, Deck	26	130-0843	1	Belt-V
1:5	99-3943	1	Decal-Routing, Belt	27	137-2019	1	Rod-Pivot
1:7	112-9840	1	Decal-Scalp, Anti	28	138-7502	1	Deflector-Discharge
6	140-2124	1	Decal-Deck	29	138-7268	1	Spring-Torsion
7	139-2448-03	1	Baffle-Corner	30	138-9800-03	1	Baffle-Cutoff
8	138-9753	2	Screw	31	3296-59	1	Nut-Lock, NI
9	139-3214	3	Spindle ASM	32	1-603299	3	Roller-Scalp, Anti
9:2	120-7935	2	Spacer	33	112-3977	3	Bolt-Shoulder
9:3	138-9770	2	Bearing-Ball	34	133-9289	2	Fitting-Washout
10	32144-41	12	Screw-Taptite	34:2	133-9290	1	O-Ring
11	117-7268	3	Shaft-Spindle	35	32144-4	4	Screw-HWH
12	138-7261	3	Pulley ASM	36	138-7266	1	Spring-Return, Hook
13	3219-6	3	Nut-Hex	37	138-7264	1	Spring-Extension
14	115-2454-03	3	Blade-Hi Lift	38	139-5871	2	Pin-Deck
16	145-0411	3	Bolt-Blade, Sems	39	144-1906	2	Cover-Belt
17	132-9420	3	Pulley-Idler, Flat	40	95-3270	1	Connector-Hose
18	3256-24	2	Washer-Flat	41	139-3272-03	2	Bracket-Cover, Belt
19	323-9	3	Screw-HH	42	138-7207	1	Spacer-Hub, Blower
20	110-9981	1	Washer-Plain	43	138-7270	1	Guide-Belt, Idler
21	63-7400	2	Washer-Rebound	45	323-11	1	Screw-HH
22	114-0463	2	Washer-Friction, Composite	46	144-1944	2	Pin-Hair
23	115-4986	1	Spacer	47	94-6961	2	Screw

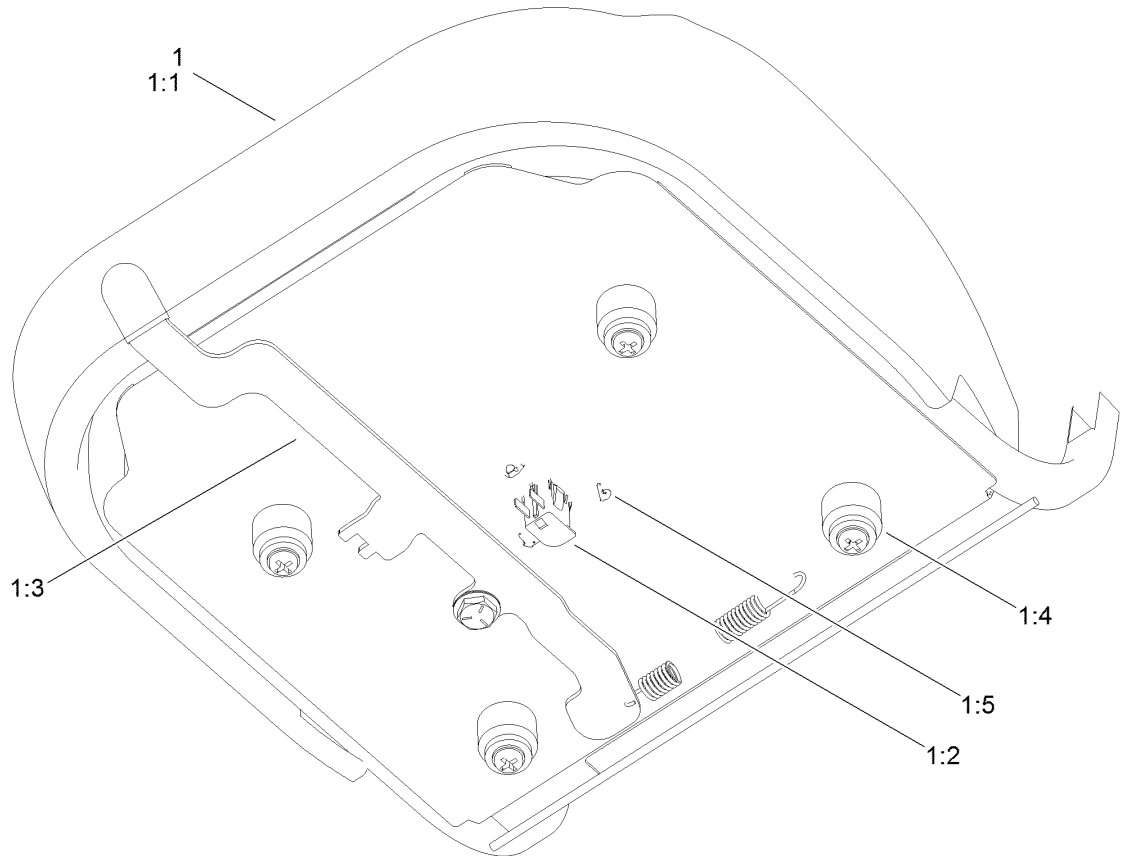
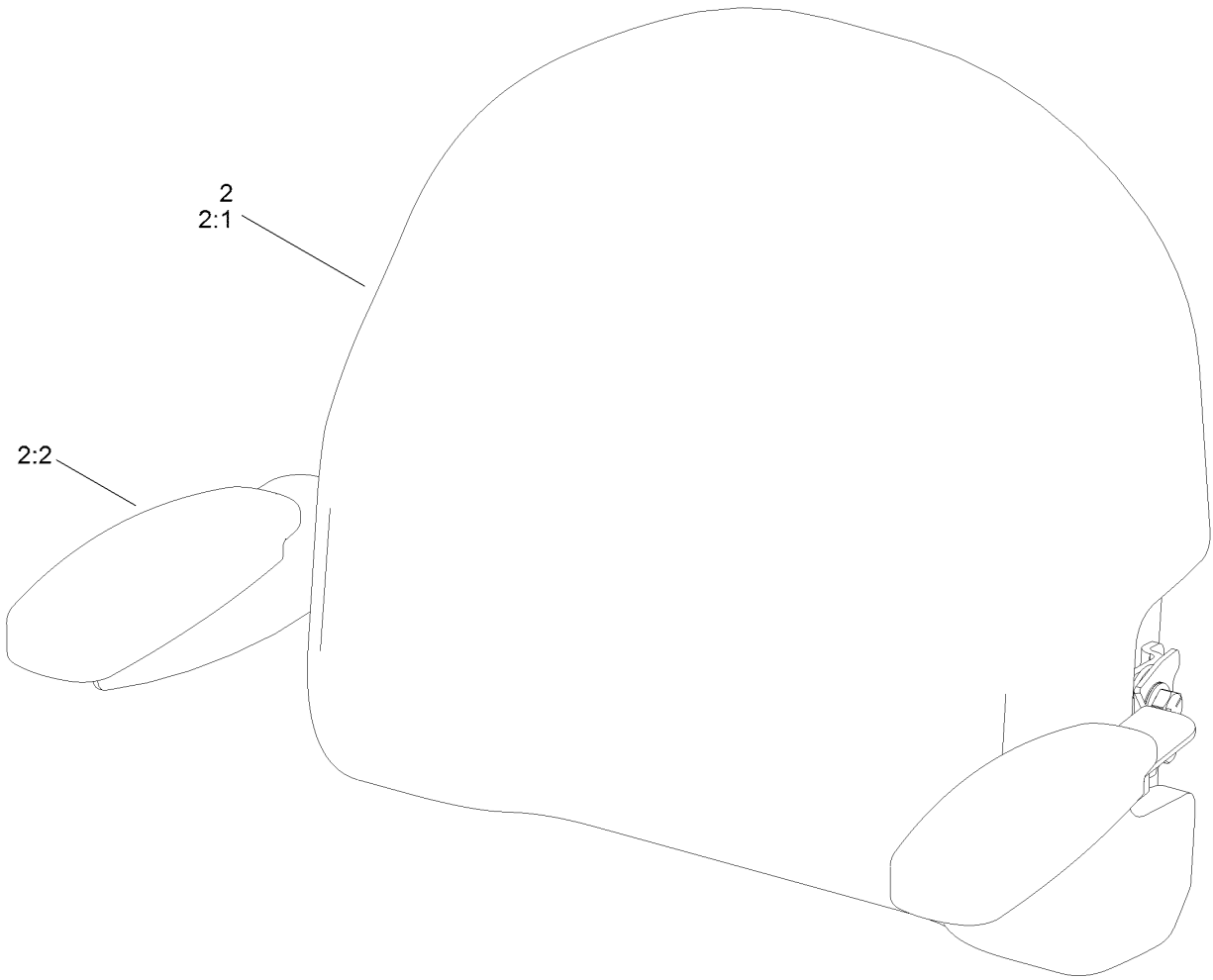
Seat Assembly



Seat Assembly (continued)

<i>Ref.</i>	<i>Part Number</i>	<i>Qty.</i>	<i>Description</i>	<i>Ref.</i>	<i>Part Number</i>	<i>Qty.</i>	<i>Description</i>
1	140-5046	1	Subframe ASM	23	135-0505	3	Bumper-Seat
1:2	132-0869	1	Decal-Danger	24	139-5858	1	Spring-Compression
2	138-7540-03	1	Pan-Seat	25	138-2573	4	Bushing-Flange
3	140-8303	1	Seat ASM	26	138-9813	1	Rod-Adjustment
4	138-2563	1	Arm, Swing	27	138-2596	1	Rod-Prop, Seat
5	138-7517	2	Bracket-Mount, Swing Arm	29	140-0357	1	Decal-Myride
6	138-7549	1	Tube-Spacer	30	1-806003	1	Pin-Cotter
7	138-9776	2	Retainer-Spring	31	3256-24	1	Washer-Flat
8	137-7018	1	Spring-Torsion, RH	32	138-9753	14	Screw
9	137-1983	1	Spring-Torsion, LH	33	120-7950	2	Screw-Torx
10	138-7566-03	1	Plate-Adjuster	34	322-4	2	Screw-HH
11	139-2427	1	Shock/Spring ASM	35	138-7548	1	Screw-HHF
12	131-4008-03	1	Bracket-Latch, Seat	36	140-3759	1	Bolt-Shoulder,HHF
13	133-9318-03	1	Bracket-Shock Mount, Upper (LH)	37	92-1057	1	Bolt-Shoulder
14	133-9319-03	1	Bracket-Shock Mount, Upper (RH)	38	138-2547	2	Bolt-Shoulder
15	138-9788	1	Bracket-Cable	39	136-7198	2	Bolt-Shoulder
16	138-7522	2	Bracket-Seat	40	139-5800	1	Bushing - Flange
17	139-2361-03	1	Bracket Lower	42	104-8300	5	Nut-HF, NI
18	138-9814	1	Pulley - Cam	43	119-4042	6	Nut-HF, NI
19	138-9822	1	Lever - Adjustment	44	107069	1	Clip
20	140-5176	1	Knob-Mr	45	99-6810	1	Screw-HHF
21	138-9848	1	Spring-Extension	46	138-7214	1	Bracket-Stop, Seat
22	138-9812	1	Cable-Adjustment, Myride	47	140-5024	2	Screw-HHF
				48	32120-47	1	Ring-Retaining, External

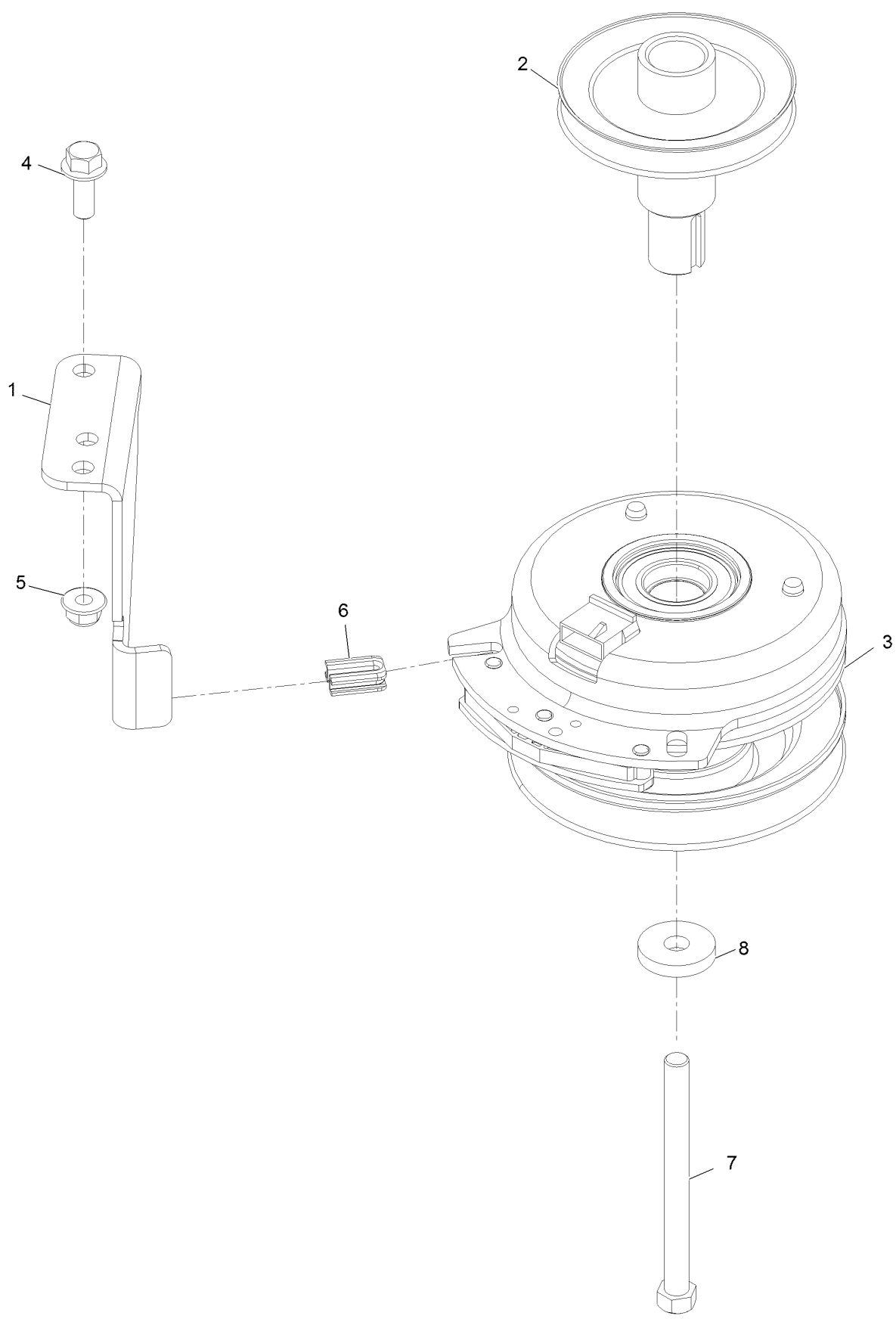
Seat Assembly No. 140-8303



Seat Assembly No. 140-8303 (continued)

<i>Ref.</i>	<i>Part Number</i>	<i>Qty.</i>	<i>Description</i>	<i>Ref.</i>	<i>Part Number</i>	<i>Qty.</i>	<i>Description</i>
1	140-8323	1	Seat ASM - Bottom	1:5	140-3468	1	Cap-Switch, Actuator
1:1	140-5042	1	Cover-Seat Base	2	140-8324	1	Seat ASM -Back
1:2	82-2190	1	Switch-Bail	2:1	140-5041	1	Cover-Seat Back
1:3	131-4153	1	Track ASM	2:2	139-5823	1	Arm Rest Kit
1:4	131-4154	1	Bushing ASM				

Clutch Assembly



Clutch Assembly (continued)

<i>Ref.</i>	<i>Part Number</i>	<i>Qty.</i>	<i>Description</i>	<i>Ref.</i>	<i>Part Number</i>	<i>Qty.</i>	<i>Description</i>
1	137-7000	1	Stop-Clutch (Wide)	5	104-8301	1	Nut-HF, NI
2	138-9792	1	Pulley-Engine	6	120-2217	1	Isolator-Clutch
3	127-3410	1	Clutch-PTO	7	3212-19	1	Screw-HH
4	3234-42	1	Screw-HHF	8	112843	1	Washer

Attachments and Accessories

For 75756 TimeCutter MyRide 54in Riding Mower

Product Name	Model/Part
Twin Bagger, Timecutter 50/54 Inch Fab.....	79412
54 Inch Recycler Kit.....	139-3235
54 Inch Bagging Enhancement Kit.....	140-5054
54/60 Inch Striping Kit.....	140-5161
Hourmeter Kit	116-5461
Front Weight Kit.....	140-2050
Assist Bar Kit	140-2052
Heavy Duty Spring Kit.....	140-2051
ROPS Kit	79485
Slope Sensor Kit.....	79486
LED Light Kit.....	140-2056
Sunshade Kit	140-2054
Floormat Kit	140-2061
Jack Mount Kit.....	140-2711
Blade-Hi Lift, 18.75 Inch For 54 Inch TC	115-2454-03P
Storage Cover	490-7516
Seat Cover w/Arm Rest	117-0097
4-Cycle Fuel, Snow And Lawn 32oz Can	131-3823
Fuel Stabilizer .05 oz	130-2393
Toro Premium Fuel Treatment 12 Oz Bottle	131-6572
10w30 4-Cycle Engine Oil (32oz Bottle).....	38280
Toro 4-Cycle SAE 30 Oil (32oz Bottle)	38903
Kit-Caster Wheel	145-0488
Jack Kit.....	127-6666

Notes:

Notes:

Notes:



Count on it.