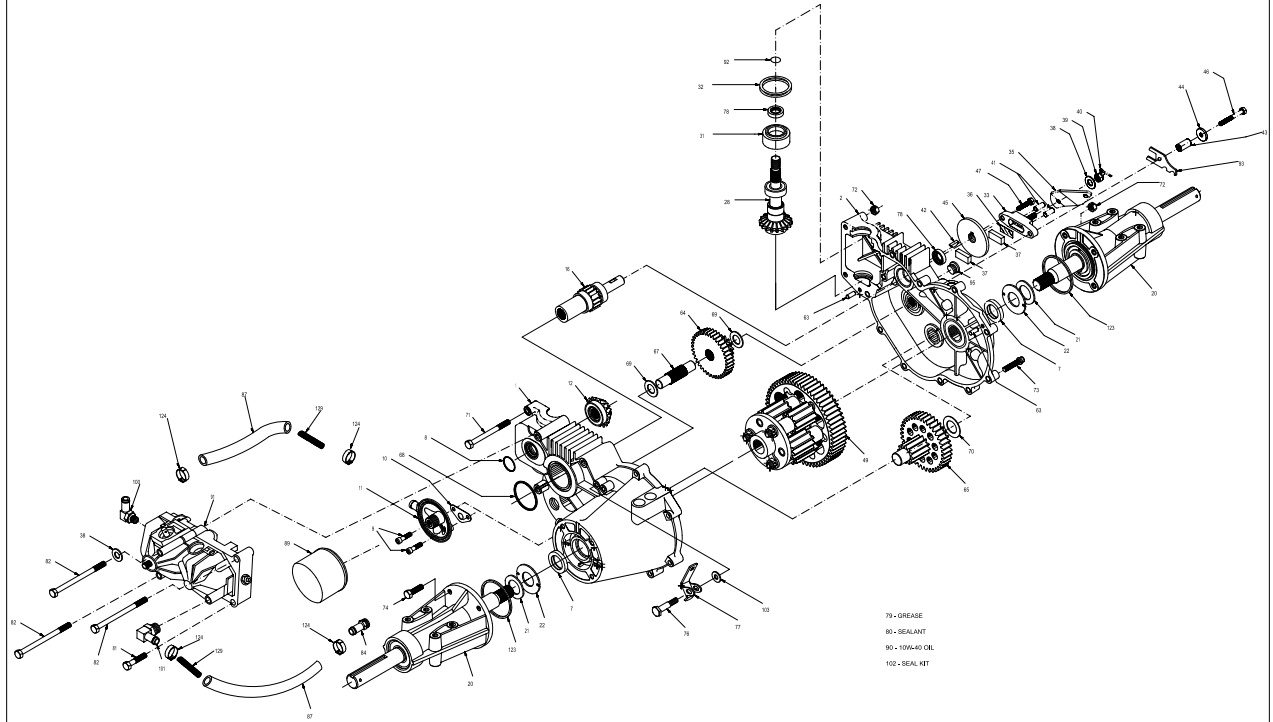


718-0241B

# Parts Breakdown

NOTICE - PROPRIETARY INFORMATION: THIS SERVICE SCHEMATIC AND ITS CONTENTS ARE WHOLLY OWNED BY HYDRO-GEAR OF SULLIVAN, IL., AND MAY NOT BE PUBLISHED OR REPRODUCED WITHOUT THE WRITTEN CONSENT OF HYDRO-GEAR.

718-0241B  
225-3010L



P. 1 of 2 70353 P3

## Parts Breakdown

| #  | PART # | DESCRIPTION                           | QTY | Note |
|----|--------|---------------------------------------|-----|------|
| 1  | 70363  | ASSEMBLY, L H HOUSING                 | 1   |      |
|    |        | ASSEMBLY, L H HOUSING                 |     |      |
|    |        | LH HOUSING                            | 1   |      |
|    |        | DISC, THRUST 1-1/8 OD                 | 1   |      |
|    |        | BEARING, NEEDLE SCE1412               | 1   |      |
|    |        | BEARING, BALL 25MM X 52MM             | 1   |      |
|    |        | BEARING, NEEDLE - SCH 1012            | 1   |      |
|    |        | SEAL OIL .984 X 1.5 X .25             | 1   |      |
|    |        | CAP SCREW, 1/4-20 X 1.0               | 2   |      |
|    |        | GASKET, FILTER BASE                   | 1   |      |
|    |        | BASE, OIL FILTER                      | 1   |      |
| 2  | 70364  | KIT, HSG RH                           | 1   |      |
|    |        | HOUSING, R H TRANSAXLE                | 1   |      |
|    |        | BOLT, RIB NECK 5/16-18                | 1   |      |
|    |        | WASHER, RUBBER 5/8 OD X .313 ID X .04 | 1   |      |
|    |        | BEARING, NEEDLE SCE1412               | 1   |      |
|    |        | BEARING, BALL 25MM X 52MM             | 1   |      |
|    |        | BEARING, NEEDLE - SCH 1012            | 1   |      |
|    |        | SEAL, OIL .984 X 1.5 X .25            | 1   |      |
| 7  | 44782  | SEAL .984 X 1.5 X .25 LIP             | 2   |      |
| 8  | 50070  | O-RING -Q4123 .103 X 1.174 70         | 1   |      |
| 10 | 44920  | GASKET FILTER (3010L)GASKET FILTER    | 1   |      |
| 11 | 70210  | KIT, FILTER BASE                      | 1   |      |
|    |        | CAP SCREW, 1/4-20 X 1                 | 2   |      |
|    |        | GASKET, FILTER BASE                   | 1   |      |
|    |        | BASE, OIL FILIER                      | 1   |      |
| 12 | 62876  | KIT, PINNION                          | 1   |      |
|    |        | BEARING BALL, 25MM X 42MM X 9MM       | 1   |      |
|    |        | PINION, 18T DRIVEN                    | 1   |      |
| 16 | 62877  | KIT, BRAKE SHAFT                      | 1   |      |
|    |        | SHAFT, BRAKE                          | 1   |      |
|    |        | BEARING, BALL .62 X 1.38 X .43        | 2   |      |
|    |        | GEAR, 17T                             | 1   |      |
|    |        | COUPLING                              | 1   |      |
| 20 | 62888  | KIT, AXLE MOUNTING HORN               | 2   |      |
|    |        | AXLE MOUNTING HORN                    | 1   |      |
|    |        | BEARING, 25MM ID (W/ SEALS)           | 1   |      |
|    |        | WASHER, 1.0 X 1.63 X .08 HT           | 1   |      |
|    |        | WASHER, 1.0 X 2.06 X .09 HT           | 1   |      |
|    |        | SHAFT, AXLE                           | 1   |      |
|    |        | RING, RETAINING                       | 1   |      |
| 21 | 44085  | WASHER, 1.0 X 1.63 X .08 HT           | 2   |      |
|    |        | WASHER, 1.0 X 1.63 X .08 HT           |     |      |
| 22 | 44806  | WASHER 1.0 X 2.06 X .09               | 2   |      |
| 28 | 70054  | KIT, INPUT SHAFT SERVICE              | 1   |      |
|    |        | BEARING, BALL .62 X 1.38 X .43        | 1   |      |
|    |        | BEARING, BALL 15MM X 35MM X 11MM      | 1   |      |

## Parts Breakdown

| #  | PART # | DESCRIPTION                                | QTY | Note |
|----|--------|--|-----|------|
|    |        | PINION, INPUT 18T                          | 1   |      |
|    |        | SHAFT, INPUT                               | 1   |      |
|    |        | BUSHING, THRUST                            | 2   |      |
|    |        | RETAINING RING                             | 1   |      |
|    |        | WIRE RETAINING RING                        | 1   |      |
| 31 | 50925  | RETAINER BEARING                           | 1   |      |
| 32 | 50945  | O-RING -Q4327 .210 X 1.725 70A             | 1   |      |
| 33 | 62589  | KIT, BRAKE YOKE                            | 1   |      |
|    |        | YOKE, BRAKE                                | 1   |      |
|    |        | BOLT, SQ HD 5/16-24                        | 1   |      |
| 35 | 44094  | ARM, BRAKE                                 | 1   |      |
| 36 | 44134  | PLATE, PUCK                                | 1   |      |
| 37 | 44132  | PUCK, BRAKE                                | 2   |      |
| 38 | 44130  | WASHER .34 X .88 X .06WASHER .34 X .88 X . | 2   |      |
| 39 | 44142  | CASTLE NUT, 5/16-24                        | 1   |      |
| 40 | 44101  | PIN 3/32 X 3/4 COTTER                      | 1   |      |
| 41 | 44127  | PIN BRAKE ACTUATING                        | 2   |      |
| 42 | 44143  | KEY 3/16 X 5/8 HI PRO                      | 1   |      |
| 43 | 23711  | SPACER .26X.57X.87                         | 1   |      |
| 45 | 44090  | DISC, BRAKE .625X2.7X.19                   | 1   |      |
| 46 | 44300  | SCREW 1/4-20 X 2 HH W/PATCH                | 1   |      |
| 47 | 44433  | BOLT 1/4-20 X 1 (PATCH)                    | 1   |      |
| 49 | 70251  | KIT, DIFF                                  | 1   |      |
|    |        | GEAR, 12T DIFFERENTIAL                     | 2   |      |
|    |        | GEAR, 10T PLANET DIFFERENTIAL              | 6   |      |
|    |        | SPACER, DIFFERENTIAL                       | 6   |      |
|    |        | SPACER, SHAFT                              | 3   |      |
|    |        | DIFFERENTIAL END CAP                       | 1   |      |
|    |        | BOLT, 3/8-24 X 4.5 GD8                     | 3   |      |
|    |        | NUT, HEX LOCK 3/8-24 GD8                   | 3   |      |
|    |        | SHAFT, DIFFERENTIAL                        | 3   |      |
|    |        | GEAR, 60T DIFFERENTIAL                     | 1   |      |
| 63 | 44757  | PIN .25 X .625                             | 2   |      |
| 64 | 44776  | GEAR, RED 14/38T SPLINE ID                 | 1   |      |
| 65 | 70051  | KIT, FINAL DRIVE PINNION                   | 1   |      |
|    |        | GEAR 38T                                   | 1   |      |
|    |        | GEAR 12T                                   | 1   |      |
| 67 | 44779  | SHAFT (JACK)SHAFT                          | 1   |      |
| 68 | 44781  | O-RING -023 .103 X 1.862 70A               | 1   |      |
| 69 | 44795  | WASHER .63 X 1.2 X .05 FLAT                | 2   |      |
| 70 | 44794  | WASHER .88 X 1.63 X .07 FLAT               | 1   |      |
| 71 | 44827  | SCREW 5/16-18 X 3.5 HHC W/PATCH            | 2   |      |
| 72 | 43083  | NUT 5/16-18 HEX                            | 4   |      |
| 73 | 50868  | SCREW 5/16-18 X 1.5 TH                     | 11  |      |
| 74 | 45089  | SCREW 5/16-18 X 1 HHC W/PATCH              | 7   |      |
| 76 | 44785  | SCREW 5/16-18 X 1 SHOULDER                 | 1   |      |

## Parts Breakdown

## Parts Breakdown

| #   | PART #       | DESCRIPTION  | QTY     | Note |
|-----|--------------|--|---------|------|
| 77  | 44786        | ARM, BYPASS  | 1       |      |
| 78  | 44761        | SEAL, OIL .625 X 1.0 X .25   | 2       |      |
| 79  | 50416        | GREASE TUBE CHEMPLUS 1-LP  | 1       |      |
| 80  | 50928        | SEALANT TUBESEALANT TUBE 10.1 OZ   | 1       |      |
| 81  | 43084        | SCREW 5/16-18 X 1-3/4 HHC PATCH  | 1       |      |
| 82  | 44820        | SCREW 5/16-18 X 4.5 HHC W/PATCH  | 3       |      |
| 84  | 50591        | FITTING STRAIGHT SAE 1/2 BEADED 9/16   | 1       |      |
| 87  | 50594        | HOSE 0.5 X 8.75  | 2       |      |
| 89  | 51563        | FILTER, SPIN-ON  | 1       |      |
| 90  |              | 10W-40 OIL   | 99.8 oz |      |
| 91  | BDU-10L-258  | BDU-10L-258<br>BDU-10L-258   | 1       |      |
| 92  | 2003016      | RING RET 59 EXT WIRE   | 1       |      |
| 93  | 17434A       | BRACKET  | 1       |      |
| 95  | 9005110-5600 | PLUG 9/16-18 METAL   | 1       |      |
| 100 | 50589        | FITTING 1/2" BEADED 90 DEGREE 9/16 SAE<br>FITTING 1/2" BEADED 90 DEGREE 9/16 SAE | 1       |      |
| 101 | 50592        | FITTING 1/2" BEADED 90 DEGREE 7/8 SAE<br>FITTING 1/2" BEADED 90 DEGREE 7/8 SAE   | 1       |      |
| 102 | 70052        | KIT, SEAL  | 1       |      |
| 103 | 50169        | WASHER .31 X .74 X .06   | 1       |      |
| 123 | 50405        | O-RING -144 .103 x 2.487 90A   | 2       |      |
| 124 | 50590        | CLAMP, PINCH 13/16   | 4       |      |
| 129 | 50666        | SPRING COMP .49 X 8.50   | 2       |      |