



Parts Manual

Mfg. No: 5901705
400S Series w/ 48" Mower Deck
(400SKAV2248)



- 5600963 - Striping Kit, 44FN & 48 iCD Deck.
- 5601092 - 48" FN TURBO-Pro; 2-Bag Hard Top Grass Collection System (400S).
- 5601084 - Kit, Trailer Hitch 200 GVW, 5 Deg.
- 5601097 - Mulch Kit for ZTR w/ 48" Deck, 400S.
- 5601098 - Service Jack Mount Kit.
- 5601080 - Service Jack Kit.
- 5601148 - LED Headlight Kit.

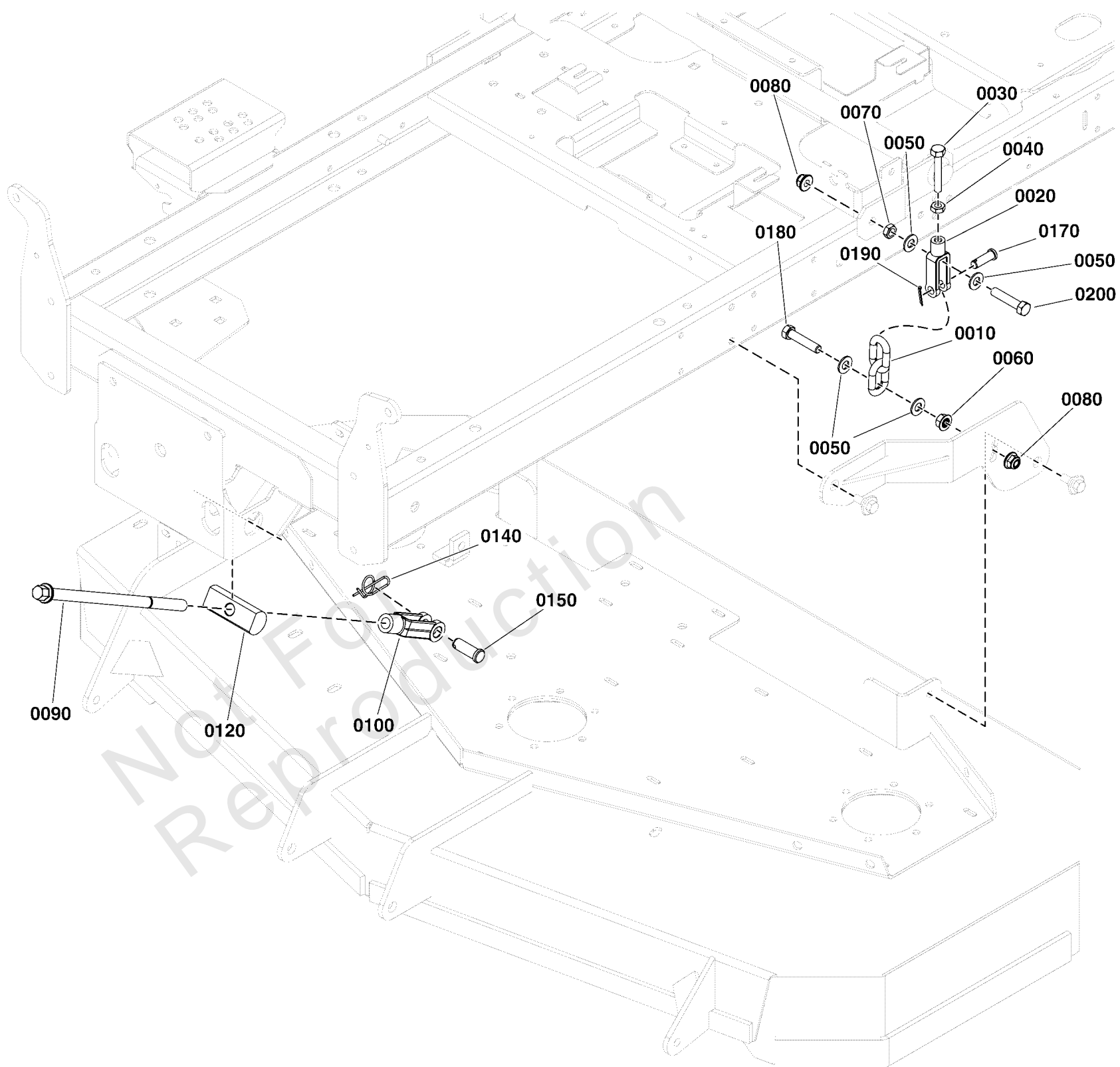
Not For
Reproduction

Model Components	Page
48" Mower Deck Group - Deck Hangers.....	4
48" Mower Deck Group - Housing, Covers, Spindles & Blades.....	6
48" Mower Deck Group - Pulleys, Belt & Idler Arm.....	8
48" Mower Deck Group - Rollers.....	10
Decal Group - Brand & Model.....	12
Decal Group - Safety & Operation S/N: 4000034138 & Below.....	14
Decal Group - Safety & Operation S/N: 4000034139 & Above.....	16
Deck Lift Group.....	18
Electrical Group.....	20
Electrical Schematic - Charging Circuit - Kawasaki FR651V.....	22
Electrical Schematic - Cranking Circuit - Kawasaki FR651V.....	24
Electrical Schematic - Ign. Grounding Circuit/Op. Pres - Kawasaki FR651V.....	26
Electrical Schematic - PTO Clutch Circuit - Kawasaki FR651V.....	28
Engine & PTO Group - Kawasaki FR651V.....	30
Evap Group - Kawasaki.....	32
Fuel Tank and Mount Group S/N: 2018115601 and Below.....	34
Fuel Tank and Mount Group S/N: 2018115602 and Above.....	36
Hydraulic Group - S/N: 4000034138 & Below.....	38
Hydraulic Group - S/N: 4000034139 & Above.....	40
Instrument Control Panel Group.....	42
Main Frame & Front Suspension Group.....	44
Motion Control Group.....	46
Parking Brake Group.....	50
Rear Bumper Group.....	52
Rear Suspension Group.....	54
Seat Mount & Floor Group S/N: 4000034138 & Below.....	56
Seat Mount & Floor Group S/N: 4000034139 to 4000875836.....	58
Seat Mount & Floor Group S/N: 4000875837 and Above.....	60
Spindle SERVICE Parts.....	62
Transaxle Drive Group S/N: 2017940000 & Below.....	64
Transaxle Drive Group S/N: 2017940001 & Above.....	66
Transaxle SERVICE Parts - Hydro-Gear ZT2800.....	68
Wheel & Tire Group S/N: 4000771923 and Below.....	70
Wheel & Tire Group S/N: 4000771924 and Above.....	72
Torque Specification Chart.....	74

48" Mower Deck Group - Deck Hangers

Note: Unless noted otherwise, use the standard torque specifications

Mfg. No: 5901705



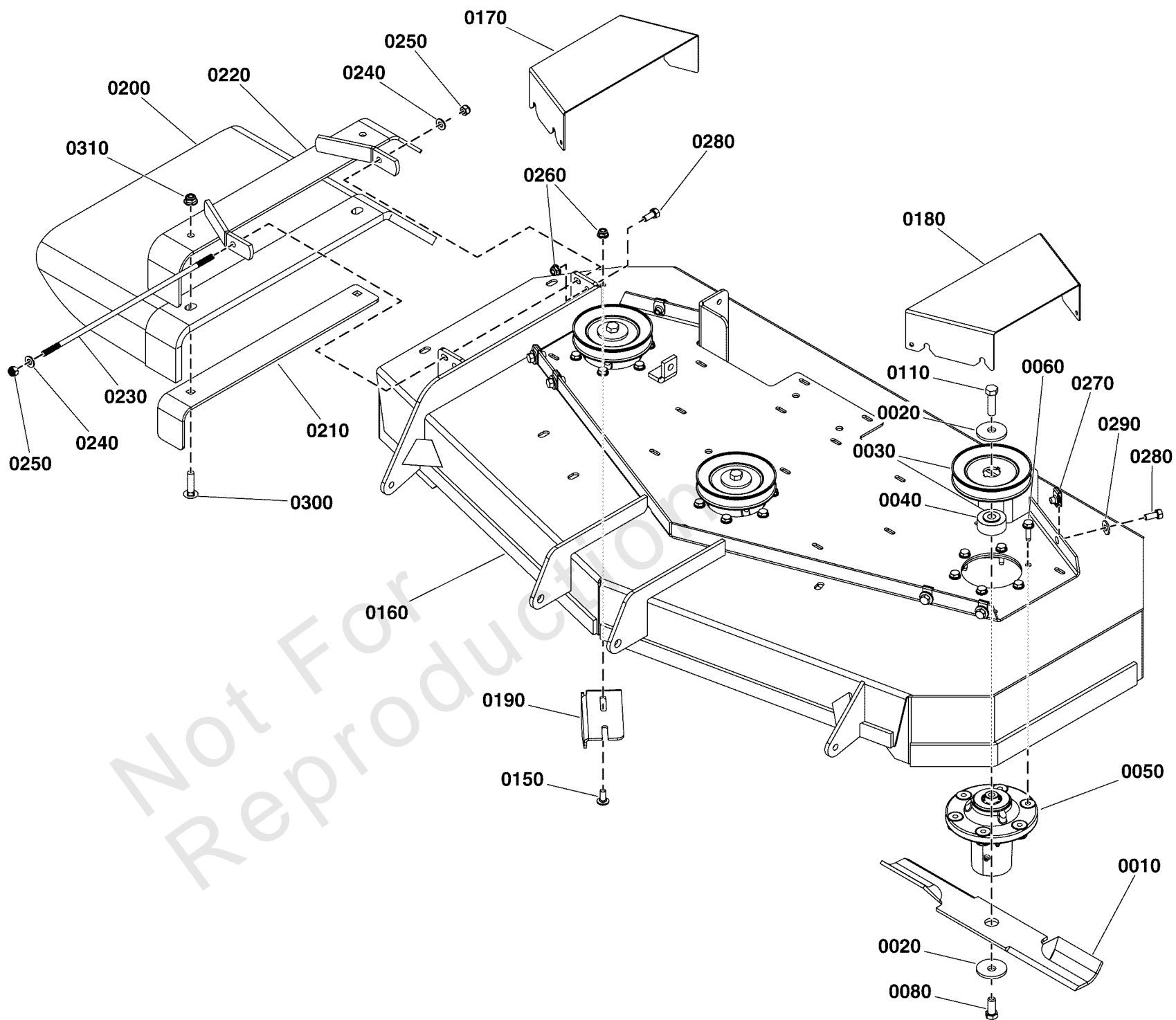
48" Mower Deck Group - Deck Hangers

REF NO	PART NO	QTY	DESCRIPTION
0010	5050878X2	2	HANGER, FRONT DECK - 2 LINK
0020	5100375	2	CLEVIS, 5/16-18, 3/8 PIN HOLE, CLR ZINC
0030	5025055X12	2	BOLT- 5/16-18 X 1-1/2 GD5 TFL
0040	5025388	2	NUT, 5/16-18 HEX JAM
0050	5025156	8	WASHER, 3/8 SAE
0060	5025128	2	NUT, 3/8-16 Hex Large Serrated Flange
0070	5025084	2	NUT, 3/8-16 HEX JAM
0080	5025394	4	NUT, 3/8 - 16 HEX NYLOCK FLANGE
0090	1757954	2	ROD, MOWER HITCH
0100	5023174	2	CLEVIS, 1/2-20, STEEL, CLEAR ZINC
0120	1757955	2	PIVOT, MOWER FRONT
0140	7091594	2	COTTER PIN, 1/2" Self-Locking
0150	5025479	2	CLEVIS PIN, 1/2 X 1.36 SAE STANDARD
0170	5025214X9	2	PIN, CLEVIS, 3/8 X 1-1/8, PLATED
0180	80003522	2	HHCS, 3/8-16 X 2.00, GR5, ZINC/CLEAR
0190	80002736	2	PIN, 3/32 X 0.750, COT, ZINC/CLEAR
0200	5025013X14	2	BOLT, 3/8-16 X 1-3/4" GD5 CZ

48" Mower Deck Group - Housing, Covers, Spindles & Blades

Note: Unless noted otherwise, use the standard torque specifications

Mfg. No: 5901705



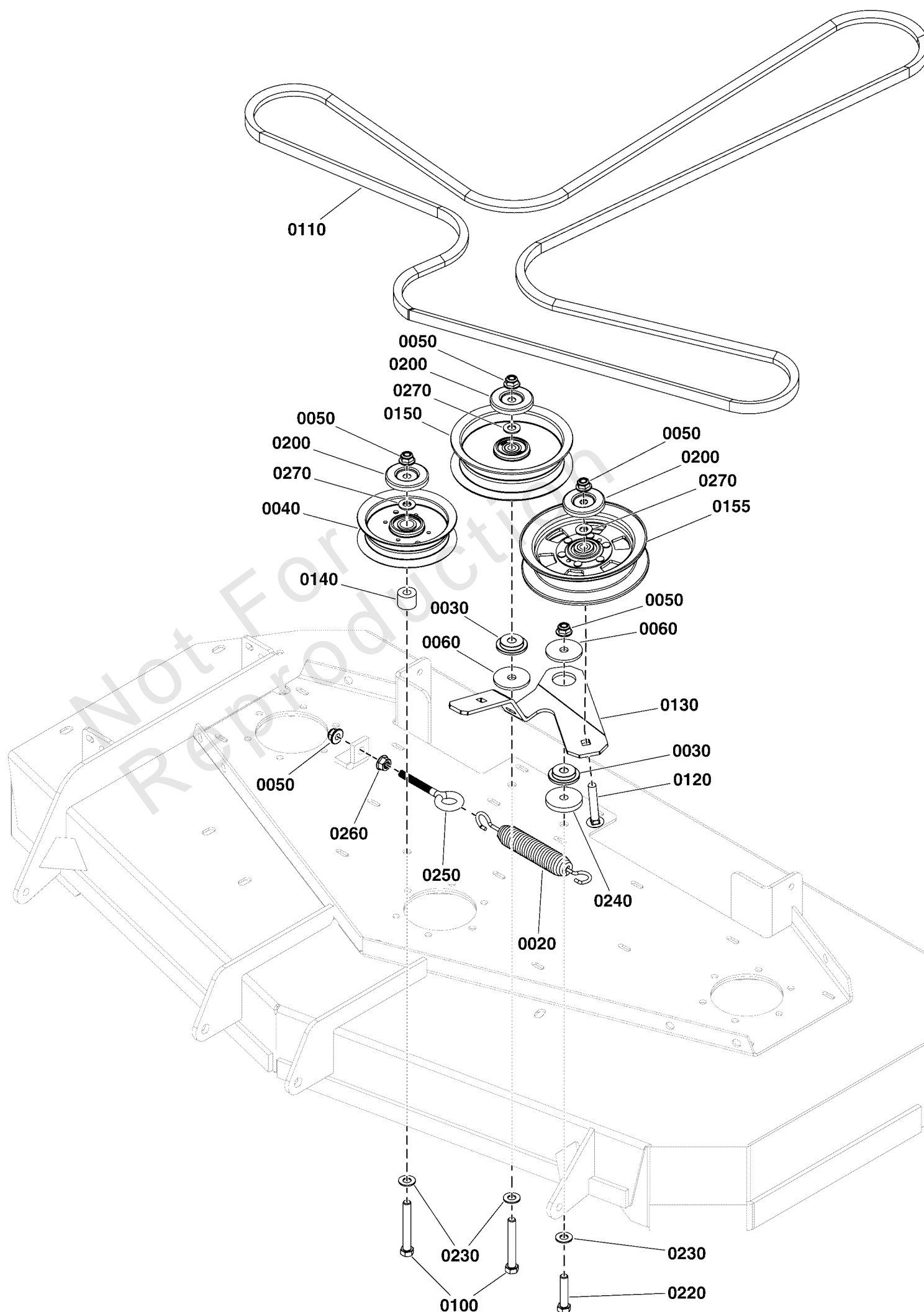
48" Mower Deck Group - Housing, Covers, Spindles & Blades

REF NO	PART NO	QTY	DESCRIPTION
0010	5105512S	1	BLADE SET, 48" DECK, 3/16
0020	1656916	6	WASHER, .475 ID x 1.75 OD x .156 Thick Spring, Black
0030	1732951	3	PULLEY, .68" Deep-Groove OD 4.6"
0040	1758623	3	SPACER, HUB
0050	5416763	3	ASSY, ALUMINUM SPINDLE, 1761445 HOUSING
0060	80006216	18	SCREW,5/16-18X1.000,HEX WSHR HD,TT,ZC/CL -(Torque spindle mounting bolt to 30 ft-lbs (41 Nm)
0080	80020425	3	CAPSCREW-HEX HD 7/16-14X1.000 G5 ZC/CL -(Torque blade mounting bolt to 50-60 ft-lbs (68-81 Nm)
0110	1921212	3	CAPSCREW, Hex-Head, 7/16-14 x 1-1/2
0150	-----	2	RHSSNB,5/16-18 X 3/4 GR5 ZINC/CLEAR
0160	5601075	1	DECK SHELL W/DECALS,48,400S(5416580B)
0170	5416737B	1	PLATE, SPINDLE GUARD, RH, 48" - RED
0180	5416738B	1	PLATE, SPINDLE GUARD, LH, 48" - RED
0190	5416887A	1	PLATE, DEFLETOR, 48" - BLK
0200	5413498	1	CHUTE, RUBBER DISCHARGE CHUTE (5104441)
0210	5413401A	1	SUPPORT, DISCHARGE CHUTE - BLK
0220	5417010A	1	WELD, MOUNT, DISCHARGE CHUTE - BLK
0230	5042555	1	ROD, 5/16 X 13.75, TBE, CZ
0240	5025155	2	WASHER, 5/16" SAE
0250	5025045	2	NUT, Hex, Nylon Lock, 5/16-24
0260	5025392	3	NUT, 5/16-18 HEX NYLOCK FLANGE NUT
0270	5022308	6	BODY CLIP, 5/16-18 7GA. MATERIAL
0280	5025011X6	7	BOLT, 5/16-18 X 3/4 GD5
0290	5025292	6	WASHER, 5/16 GRADE 9, FLAT
0300	5025146X12	2	BOLT, 3/8-16 X 1-1/2, CARRIAGE, GD5, CZ
0310	5025394	2	NUT, 3/8 - 16 HEX NYLOCK FLANGE

48" Mower Deck Group - Pulleys, Belt & Idler Arm

Note: Unless noted otherwise, use the standard torque specifications

Mfg. No: 5901705



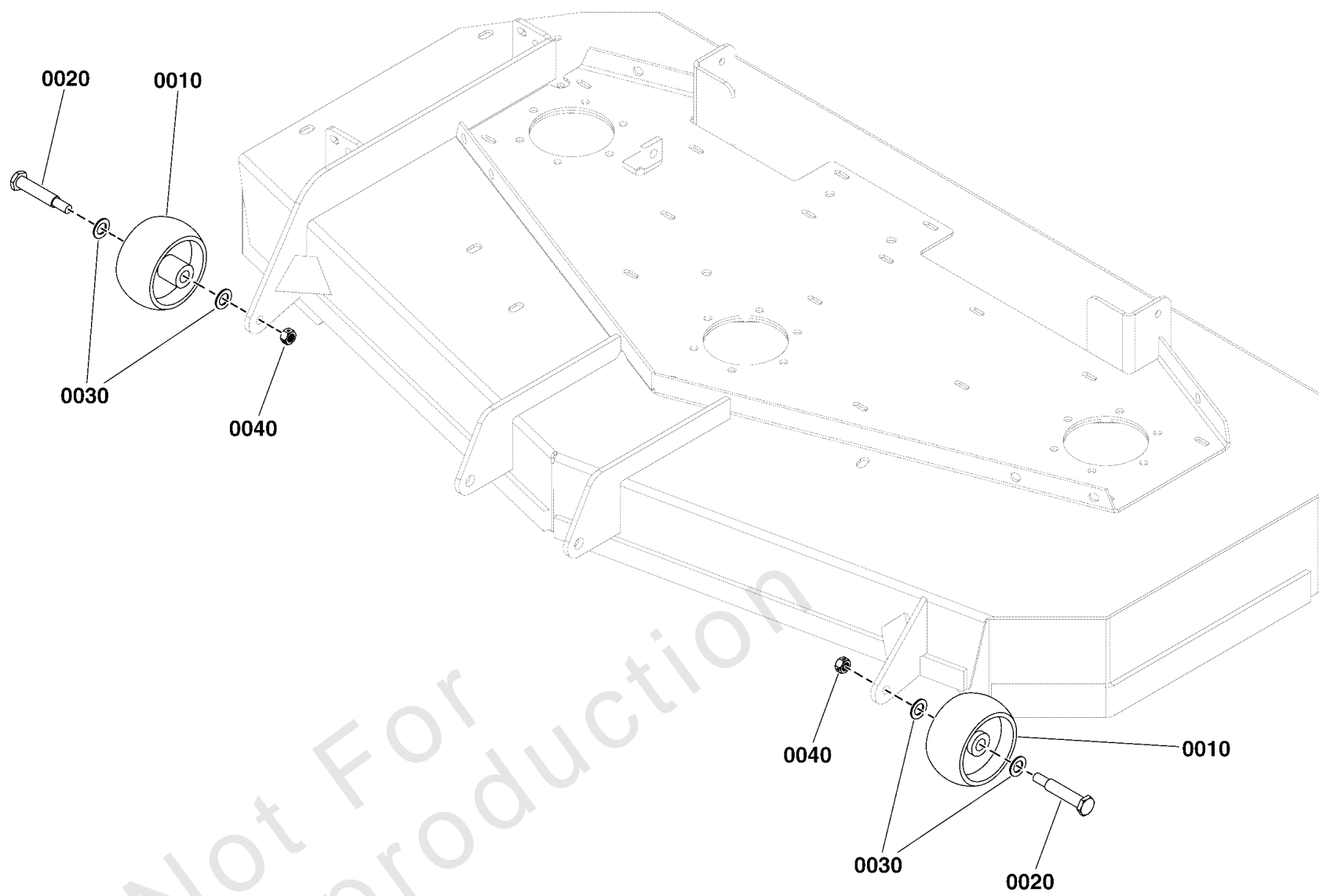
48" Mower Deck Group - Pulleys, Belt & Idler Arm

REF NO	PART NO	QTY	DESCRIPTION
0020	5022847	1	SPRING-EXT, 1.04 ODX6.935LGX.148WR, BLK
0030	1757738	2	SPACER IDLER 42
0040	1757823	1	PULLEY-IDLER 4" BACKSIDE STEEL
0050	5025394	5	NUT, 3/8 - 16 HEX NYLOCK FLANGE
0060	5025305	2	WASHER, .41 X 1.75 X .14
0100	5025013X22	2	BOLT, 3/8-16 X 2-3/4" GD5 CZ
0110	5105516	1	BELT, A-SEC, 130" EL, WRAP, ARAMID
0120	7900009	1	RHSSNB, 3/8-16 X 2-1/4, GR5
0130	1759696A	1	ARM, IDLER - 52" ZT (BLACK)
0140	1667812	1	SPACER-0.390ID 0.90 OD 0.70LG P'MTL
0150	7034422	1	PULLEY, Flat Idler, 5.0 x .375 (Belt Clutch)
0155	5106473	1	PULLEY,IDLER, BACKSIDE,6.25ODX381IDINSER
0200	5105033	3	SHIELD, PULLEY, 3/8"ID X 2"OD, CZ
0220	5025013X14	1	BOLT, 3/8-16 X 1-3/4" GD5 CZ
0230	5025156	3	WASHER, 3/8 SAE
0240	1960071	1	WASHER-0.375(0.41IDX1.75ODX.25THK) BLK
0250	5025429	1	EYEBOLT, 3/8-16 X 4, 2.13THRD, .75EYE, C
0260	5025128	1	NUT, 3/8-16 Hex Large Serrated Flange
0270	5025293	3	WASHER, 3/8" GR. 9 FLAT

48" Mower Deck Group - Rollers

Note: Unless noted otherwise, use the standard torque specifications

Mfg. No: 5901705



48" Mower Deck Group - Rollers

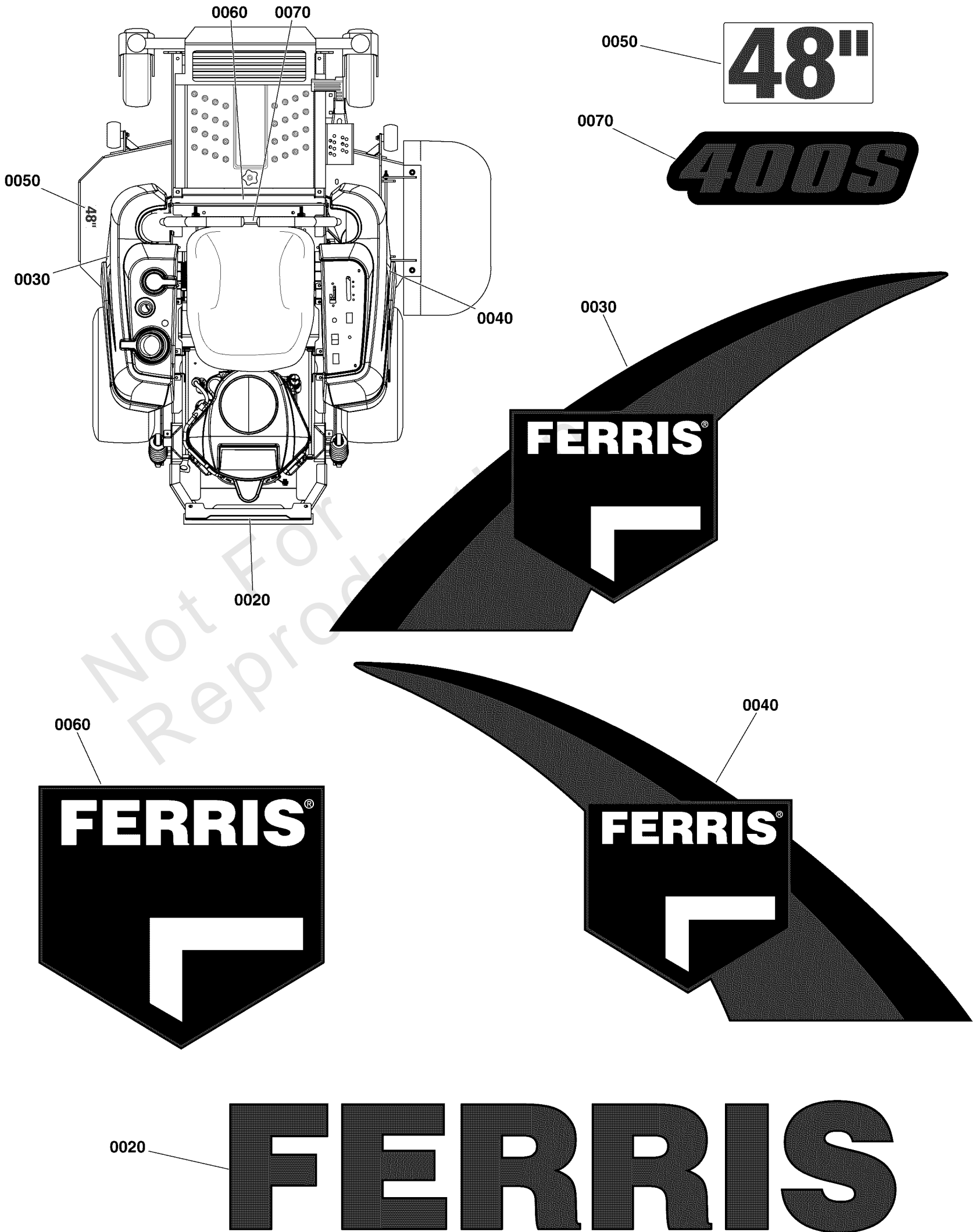
REF NO	PART NO	QTY	DESCRIPTION
0010	1714760	2	WHEEL- 2.00 WIDE 3.88 DIA 0.531ID POLY
0020	2108765	2	BOLT-WHEEL 3/8-16X2.781 .750 THRD YELLOW
0030	80003590	4	WASHER,.516IDX.875ODX.06,FLAT,ZC/CL
0040	5025394	2	NUT, 3/8 - 16 HEX NYLOCK FLANGE

Not For Reproduction

Decal Group - Brand & Model

Note: Unless noted otherwise, use the standard torque specifications

Mfg. No: 5901705



Decal Group - Brand & Model

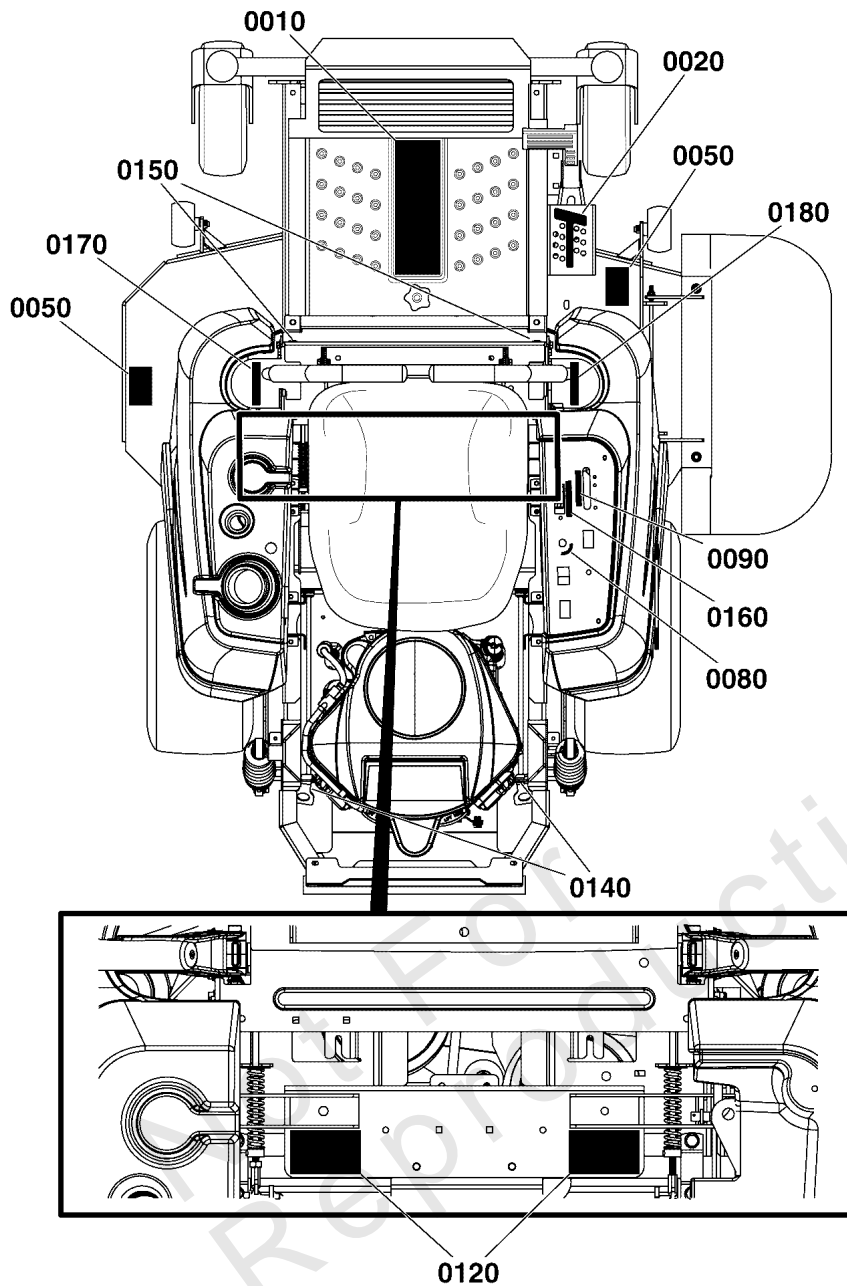
REF NO	PART NO	QTY	DESCRIPTION
0020	5103799	1	DECAL, FERRIS LETTERS, 2.23 X 11.39
0030	5104753	1	DECAL, TANK, SML, LH, FERRIS
0040	5104754	1	DECAL, TANK, SML, RH, FERRIS
0050	5022811	1	DECAL, 48"
0060	5104724	1	DECAL, FERRIS LOGO, MEDIUM
0070	5105635	1	DECAL, MODEL, 400S

Not For Reproduction

Decal Group - Safety & Operation S/N: 4000034138 & Below

Note: Unless noted otherwise, use the standard torque specifications

Mfg. No: 5901705



⚠ DANGER

Amputation hazard
Rotating blades cut off arms and legs.

- Stop the mower when children or others are near.
- Do not carry riders (especially children) even with the blades off. They may fall off or return for another ride when you are not expecting it.
- Look down and behind before and while backing.

Loss of control and roll-over hazard
Operating on slopes can be hazardous and cause loss of control and roll-overs.
10° Max.

- Avoid sudden turns or rapid speed changes.
- Reduce speed and use extreme caution on slopes.
- Go up and down slopes, NOT across.
- Do not operate on slopes over 10° max.
- If machine stops while going uphill, stop the blades, and back down slowly.

Water, retaining walls and drop-off hazards
Wheels dropping over edges may result in serious injury, death or drowning.

- Do NOT operate near water, retaining walls or drop-offs.
- Give yourself a minimum of two mower widths of clearance around these hazards.

⚠ WARNING

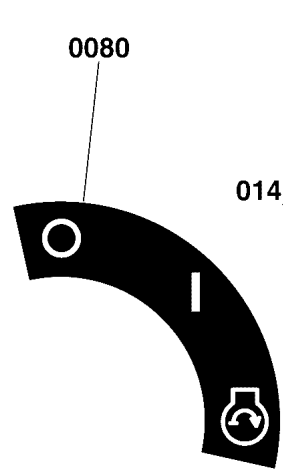
Fire hazard
Gasoline is flammable. Yard debris is combustible.

- Allow engine to cool for at least 3 minutes before refueling.
- Keep unit cleaned of debris.
- This equipment may create sparks that can start fires around dry vegetation. A spark arrester may be required. Contact local fire agencies for regulations relating to fire prevention requirements.

Avoid serious injury or death
Read the operator's manual before using this product.

- Do NOT operate this machine unless you are trained.
- Know the location and function of all controls.
- Keep safety devices (guards, shields, switches, etc.) in place and working.
- Remove objects that could be thrown by the blade.
- Be sure blade(s) and engine are stopped before placing hands or feet near blade(s).
- When leaving machine, shut off, remove key, and set parking brake.

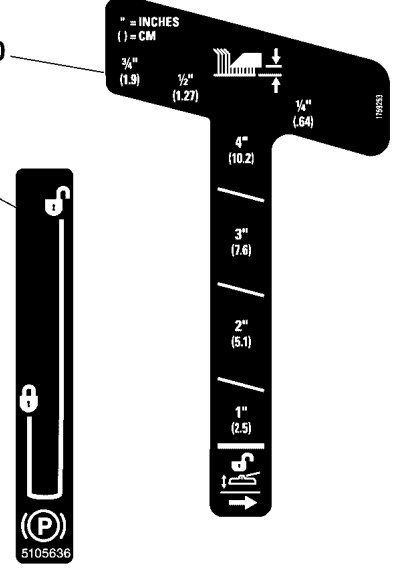
1758193



The operator's manual is available in Spanish.
La manual del operador está disponible en Español.

System complies with Canadian standard ICES-002.

1759466



⚠ DANGER

Amputation and thrown objects hazard

- Keep hands and feet away from deck.
- Do not operate mower unless discharge chute or entire grass catcher is in its proper place.

7101985

⚠ WARNING

Amputation and Pinch Point Hazard

To avoid injury from rotating parts, stay clear of parts and keep all shields and guards in place.

5103184

HYDRAULIC OIL

USE SAE 20W-50 MOTOR OIL

5100557

Belts & Blades

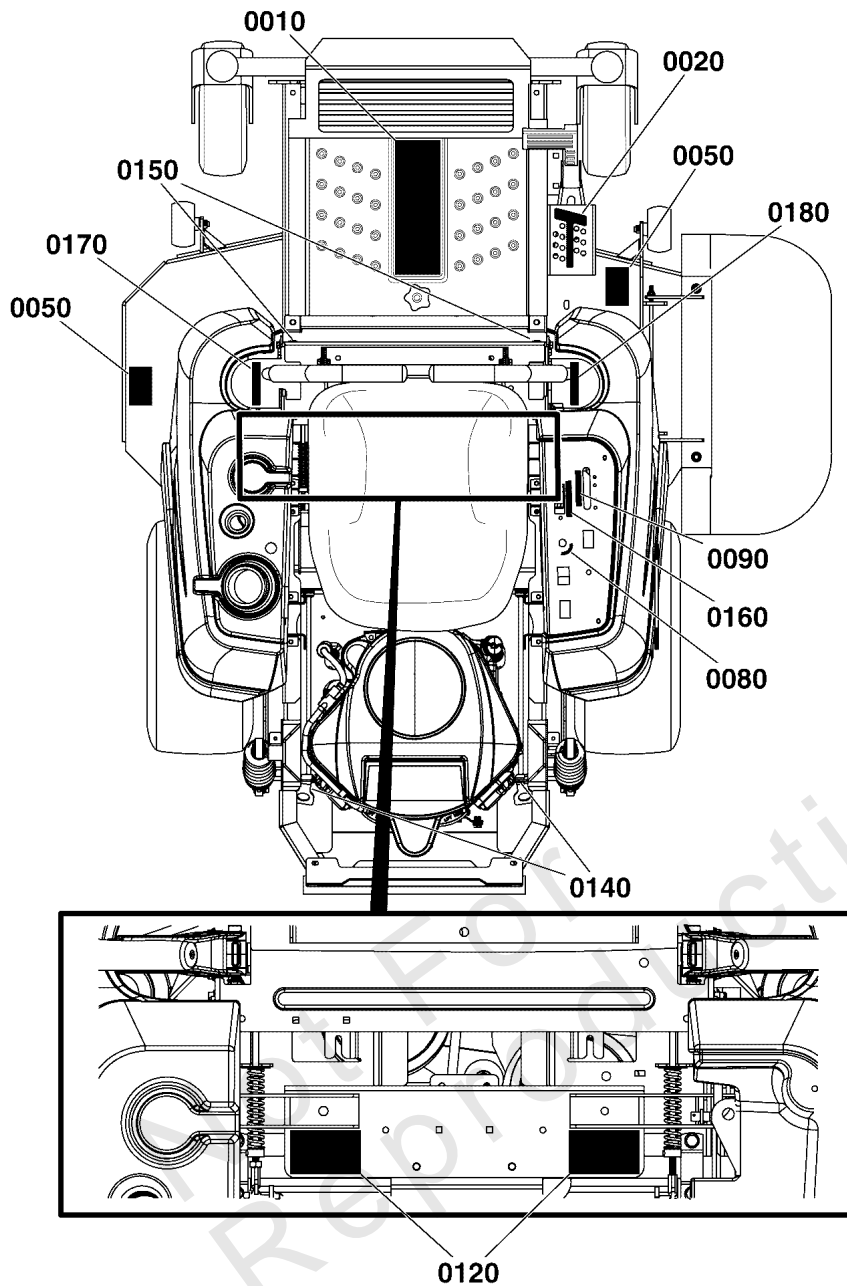
Tractor	
Pump Drive Belt	885714
48" Mower	
Deck Drive Belt	5105516
Mower Blade	5105512S

5105640

Decal Group - Safety & Operation S/N: 4000034138 & Below

REF NO	PART NO	QTY	DESCRIPTION
0010	1758193	1	DECAL, MAIN SAFETY
0020	1759253	1	DECAL, HEIGHT OF CUT
0040	5100957	1	DECAL, HYDRAULIC OIL, SAE 20W50 -(Located under seat plate)
0050	7101665	2	DECAL, DANGER DO NOT OPERATE W/O DEFLECT
0070	5104269	1	DECAL, SPANISH MANUAL, IGES, C-TICK
0080	5048970	1	DECAL, IGNITION CONTROL
0090	5100280	1	DECAL, Throttle Control
0110	5105640	1	DECAL, BELT & BLADE, 400S -(Located under seat plate)
0120	5103184	2	DECAL, WARNING, HAND IN BELT, ENG ONLY
0140	1759466	2	DECAL, TOW VALVE RELEASE (SUSP)
0150	1759724	2	DECAL, TRACKING ADJUSTMENT - ZT
0160	5105636	1	DECAL, OPERATION, PARK BRAKE
0170	5105657	1	DECAL, SPEED & DIRECTION CONTROL, LH
0180	5105658	1	DECAL, SPEED & DIRECTION CONTROL, RH

Not For Reproduction



⚠ DANGER

Amputation hazard
Rotating blades cut off arms and legs.

- Stop the mower when children or others are near.
- Do not carry riders (especially children) even with the blades off. They may fall off or return for another ride when you are not expecting it.
- Look down, behind and to the side before changing directions.

Loss of control and roll-over hazard
Operating on slopes can be hazardous and cause loss of control and roll-overs.

- Do not operate on slopes over 10 degrees.
- Avoid sudden turns or rapid speed changes.
- Reduce speed and use extreme caution on slopes.
- Avoid turning down slopes; if possible turn up slopes.
- If machine stops forward motion on a slope, stop the blades and drive slowly off the slope.

Water, retaining walls and drop-off hazards
Wheels dropping over edges may result in serious injury, death or drowning.

- Do NOT operate down slope towards or near water, retaining walls or drop-offs.
- Give yourself a minimum of two mower widths of clearance around these hazards.

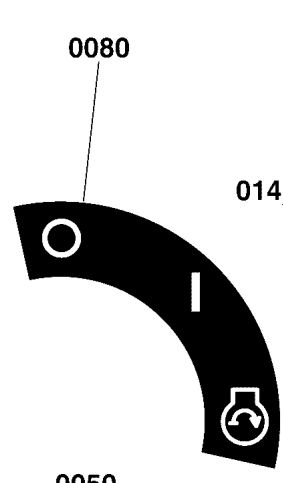
⚠ WARNING

Fire hazard
Gasoline is flammable. Yard debris is combustible.

- Allow engine to cool for at least 3 minutes before refueling.
- Keep unit cleaned of debris.
- This equipment may create sparks that can start fires around dry vegetation. A spark arrester may be required. Contact local fire agencies for regulations relating to fire prevention requirements.

Avoid serious injury or death
Read the operator's manual before using this product.

- Do NOT operate this machine unless you are trained.
- Know the location and function of all controls.
- Keep safety devices (guards, shields, switches, etc.) in place and working.
- Remove objects that could be thrown by the blade.
- Be sure blade(s) and engine are stopped before placing hands or feet near blade(s).
- When leaving machine, shut off, remove key, and set parking brake.



The operator's manual is available in Spanish.
La manual del operador está disponible en Español.

System complies with Canadian standard ICES-002.

⚠ DANGER

Amputation and thrown objects hazard

- Keep hands and feet away from deck.
- Do not operate mower unless discharge chute or entire grass catcher is in its proper place.

⚠ WARNING

Amputation and Pinch Point Hazard

To avoid injury from rotating parts, stay clear of parts and keep all shields and guards in place.

⚠ WARNING

Fire hazard

Gasoline is flammable. Yard debris is combustible.

0020

" = INCHES () = CM

+3/4"	+1/2"	+1/4"
(1.9)	(1.3)	(0.6)
4"	3"	2"
(10.2)	(7.6)	(5.1)
1"		
(2.5)		

⚠ DANGER

Amputation and thrown objects hazard

- Keep hands and feet away from deck.
- Do not operate mower unless discharge chute or entire grass catcher is in its proper place.

⚠ WARNING

Amputation and Pinch Point Hazard

To avoid injury from rotating parts, stay clear of parts and keep all shields and guards in place.

HYDRAULIC OIL

USE SAE 20W-50 MOTOR OIL

Belts & Blades

Tractor	
Pump Drive Belt	885714
48" Mower	
Deck Drive Belt	5105516
Mower Blade	5105512S

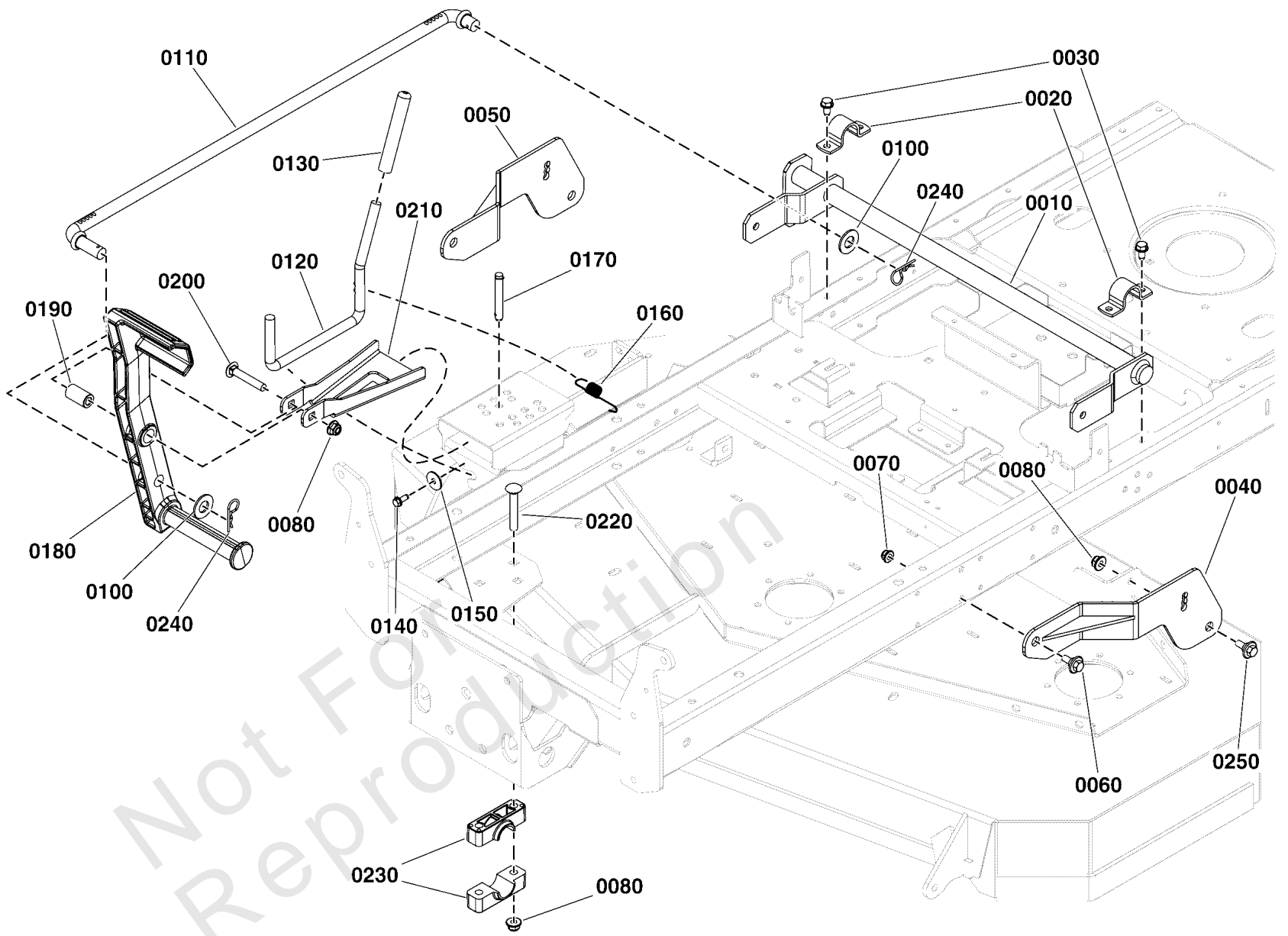
Decal Group - Safety & Operation S/N: 4000034139 & Above

REF NO	PART NO	QTY	DESCRIPTION
0010	5106564	1	DECAL, MAIN SAFETY, SML ZTR
0020	5108117	1	DECAL, CUTTING HEIGHT
0040	5100957	1	DECAL, HYDRAULIC OIL, SAE 20W50 -(Located under seat plate)
0050	7101665	2	DECAL, DANGER DO NOT OPERATE W/O DEFLECT
0070	5104269	1	DECAL, SPANISH MANUAL, IGES, C-TICK
0080	5048970	1	DECAL, IGNITION CONTROL
0090	5100280	1	DECAL, Throttle Control
0110	5105640	1	DECAL, BELT & BLADE, 400S -(Located under seat plate)
0120	5103184	2	DECAL, WARNING, HAND IN BELT, ENG ONLY
0140	5104268	2	DECAL, TRANSAXLE RELEASE, WB
0150	1759724	2	DECAL, TRACKING ADJUSTMENT - ZT
0160	5105636	1	DECAL, OPERATION, PARK BRAKE
0170	5105657	1	DECAL, SPEED & DIRECTION CONTROL, LH
0180	5105658	1	DECAL, SPEED & DIRECTION CONTROL, RH

Deck Lift Group

Note: Unless noted otherwise, use the standard torque specifications

Mfg. No: 5901705



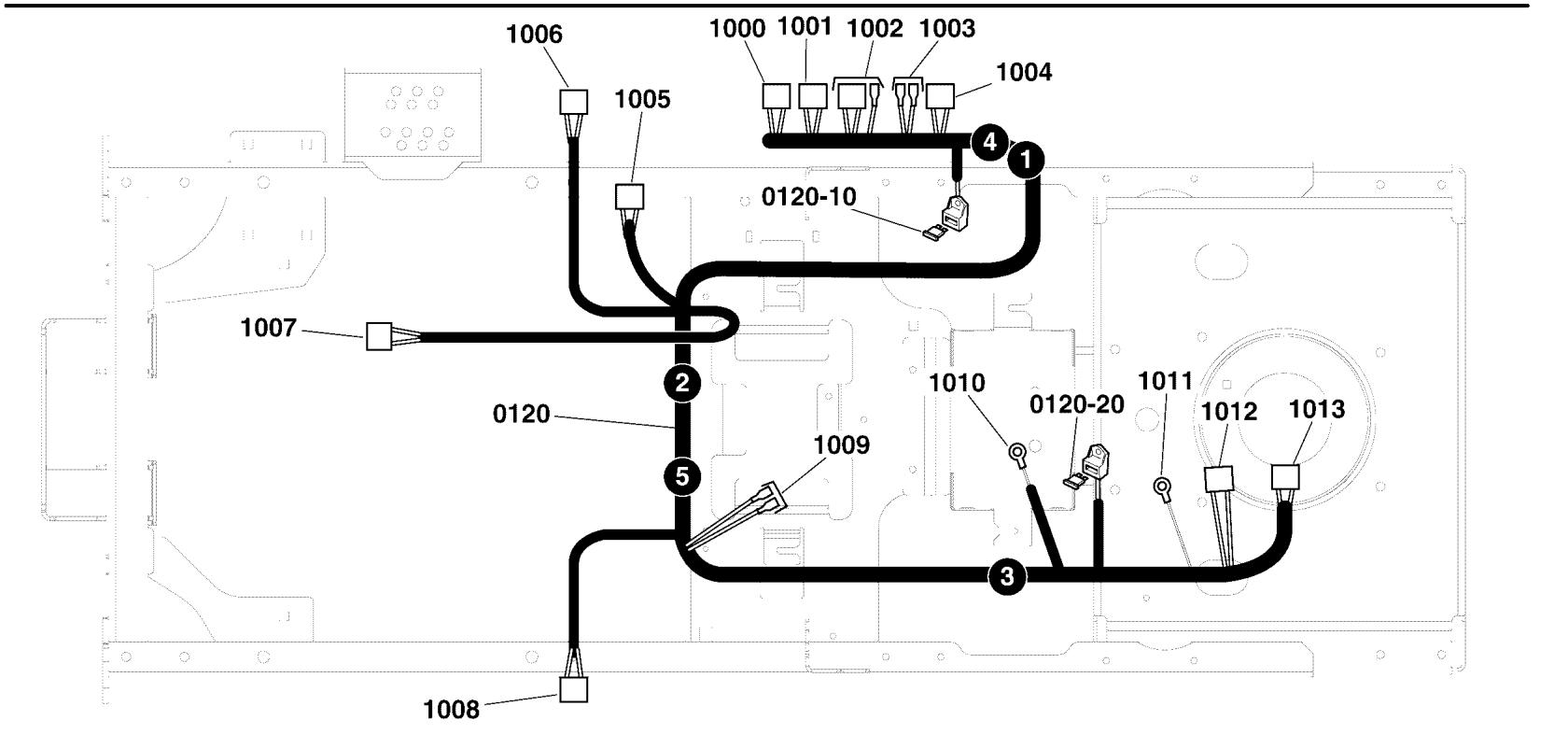
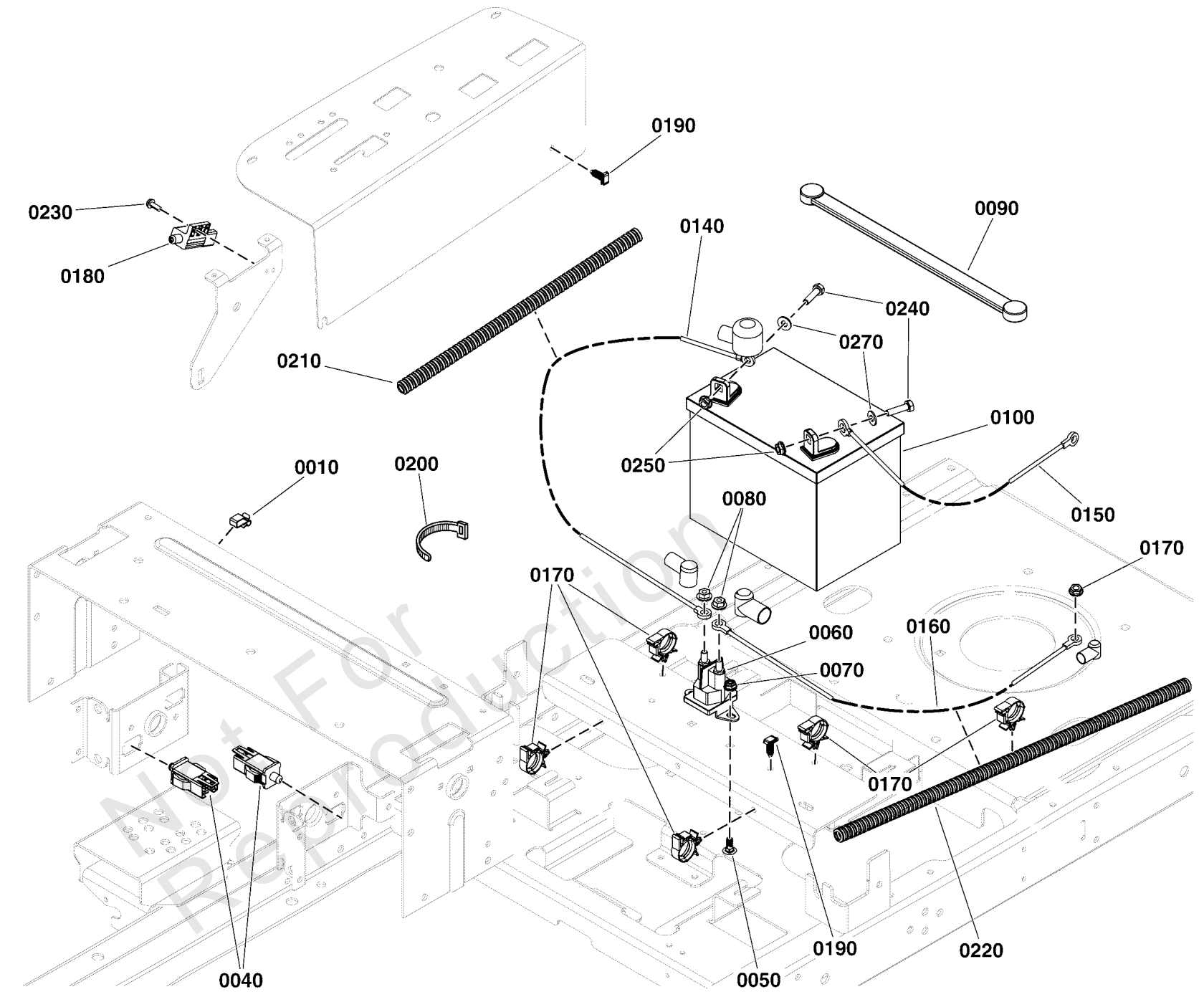
Deck Lift Group

REF NO	PART NO	QTY	DESCRIPTION
0010	1757958A	1	WELDMENT, LIFT SHAFT ASSEMBLY (BLACK)
0020	1720147	2	STRAP 1.00 DIA. SHAFT
0030	80005404	4	SCREW,5/16-18X0.625,WSHR,THD-ROLL,ZC/CL
0040	5416858A	1	WELD, DECK LIFT PIVOT, LH - BLK
0050	5416856A	1	WELD, DECK LIFT PIVOT, RH - BLK
0060	1732426	2	BOLT, Shoulder, 5/16-18 x .13/16, 1/2" Thread Length
0070	5025392	2	NUT, 5/16-18 HEX NYLOCK FLANGE NUT
0080	5025394	7	NUT, 3/8 - 16 HEX NYLOCK FLANGE
0100	5025281	2	WASHER, 5/8" SAE
0110	1758121	1	ROD, FOOT ASSIST
0120	5105717	1	ROD, MOWER TRANSPORT RELEASE
0130	5021880	1	GRIP, FOAM, .475 X 4.35 X .095
0140	80004190	2	SCREW, Hex Washer Head, Thread Roll, 1/4-20 x 5/8
0150	5025288	2	WASHER, 1/4" Fender
0160	1758283	1	SPRING, EXTENSION
0170	5103021	1	HITCH PIN, 3/8 X 2-1/2, COTTERLESS, CZ
0180	1758232	1	PEDAL, FOOT ASSIST MOWER LIFT
0190	1756612	1	BUSHING, DIFF. LOCK
0200	7900009	1	RHSSNB, 3/8-16 X 2-1/4, GR5
0210	1758284A	1	BRACKET, MOWER HOC STOP (BLACK)
0220	1960615	4	CARRIAGE BOLT, 3/8-16 x 2-1/2
0230	5100634	4	PIVOT BLOCK, PLASTIC
0240	5025210	2	3/32 X 1-5/8 HAIR PIN CLIP
0250	5025638	2	BOLT, SHLDR, 3/8-16 0.94LG .49SH DIA BLK

Electrical Group

Note: Unless noted otherwise, use the standard torque specifications

Mfg. No: 5901705



Electrical Group

REF NO	PART NO	QTY	DESCRIPTION
0010	2172434	1	CLIP, Wire
0040	7022886	2	SWITCH, DP NO/NC SNAP-IN
0050	1960252	2	BOLT-RD HD SH SQ NK 1/4-20X0.625 G5 BLK
0060	1755382	1	SOLENOID, STD-BRACKET, 2-SPADE
0070	5025391	2	NUT, 1/4-20 Hex Nylock Flange
0080	80003921	2	NUT,1/4-20,KEPS,CONICAL WSHR,ZC/CL
0090	1722009	1	STRAP, BATTERY, 14 LONG, Rubber
0100	-----	1	BATTERY, 12 VOLT, 230 CCA -(Refer to Note: *)
0120	5105552	1	HARNESS,SMALL ZTR W/NEUTRAL SWITCH
0120-10	5021603	1	FUSE, ATO-20 (20 AMP)(SV)
0120-20	5101935	1	FUSE, ATO-15 (15 AMP)(SV)
0140	5047136	1	BATTERY CABLE, POS, 15, 1/4-5/16
0150	5047690	1	BATTERY CABLE, NEG, 14, 5/16-13/32
0160	5023488	1	BATTERY CABLE, POS, 22, 1/4-5/16
0170	5104705	4	ROSEBUD LOOM CLIP
0180	1717050	1	SWITCH, PLUNGER, N.O./N.C.
0190	5103761	2	FIR TREE MOUNT, PACKARD
0200	-----	5	TIE, 7, Self Lock
0210	5050927X13	1	WIRE LOOM, 3/8 ID X 13 IN
0220	5050927X20	1	WIRE LOOM, 3/8 ID X 20 IN
0230	80005972	2	SCREW,#10-24X0.50,HEX WSHR,TORX,TT,ZC/CL
0240	5025010X6	2	BOLT, 1/4"-20 X 3/4" GD5 YZ
0250	5025126	2	NUT, Hex, Serrated Flange, 1/4-20
0270	5025154	2	WASHER, 1/4 SAE
1000	-----	1	Connects to PTO Switch
1001	-----	1	Connects to Parking Brake Switch
1002	-----	1	Connects to Ignition Switch
1003	-----	1	Connects to Auxilary Switch (Headlight)
1004	-----	1	Connects to Hour Meter
1005	-----	1	Connects to Auxilary Wiring Harness (Headlight)
1006	-----	1	Connects to Right Hand Side Neutral Switch
1007	-----	1	Connects to Seat Switch
1008	-----	1	Connects to Left Hand Side Neutral Switch
1009	-----	1	Connects to Starter Solenoid (Coil)
1010	-----	1	Connects to Starter Solenoid (Post)
1011	-----	1	Connects to Ground
1012	-----	1	Connects to Engine
1013	-----	1	Connects to PTO Clutch

Footnotes:

Note: * Not for sale. Obtain locally.

Electrical Schematic - Charging Circuit - Kawasaki FR651V

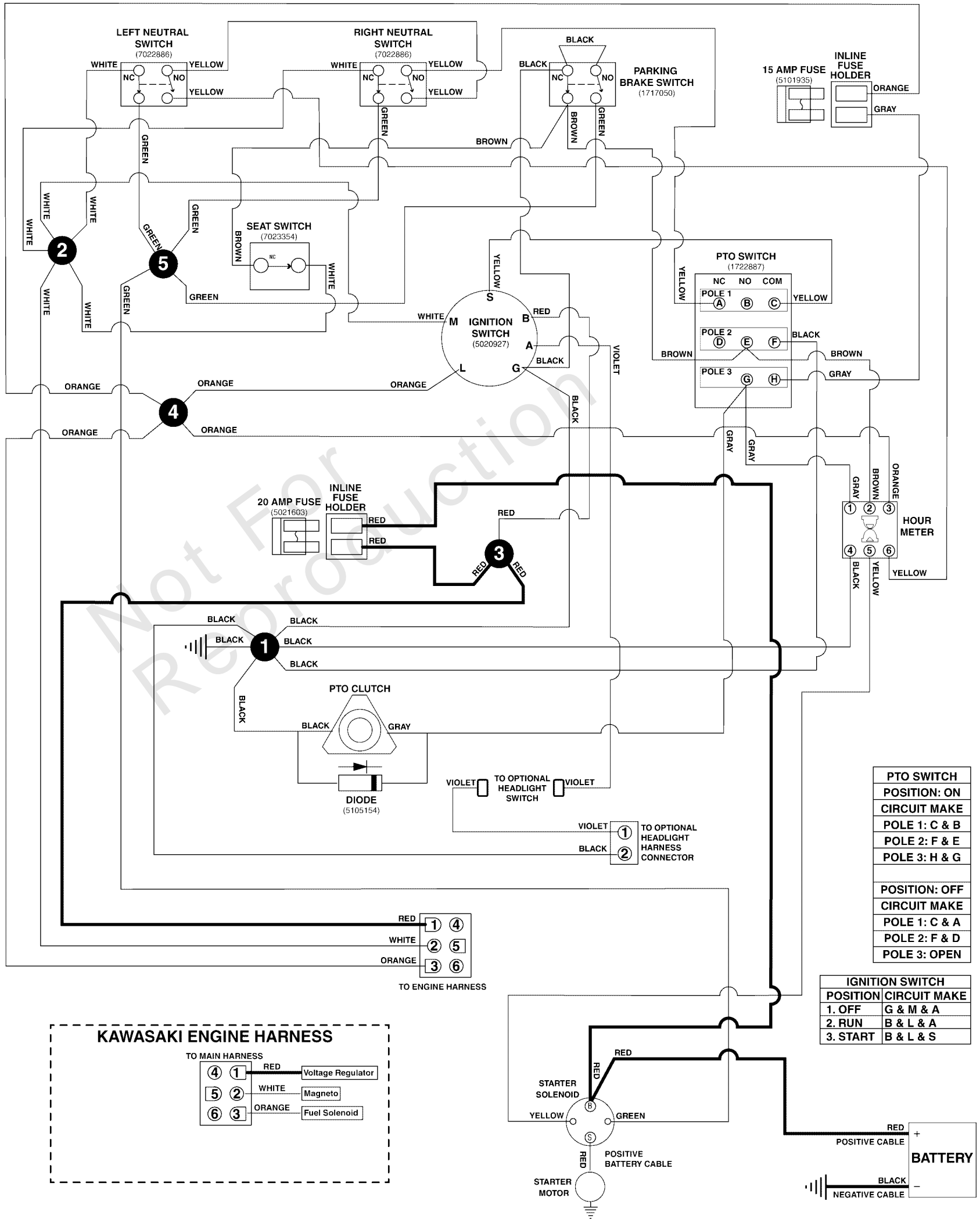
Note: Unless noted otherwise, use the standard torque specifications

Mfg. No: 5901705

510552 MAIN WIRE HARNESS - KAWASAKI FR651V ENGINES

510552B

(If internal schematic of the switch is not shown, the image of the switch represents the back view of the connector as it is connected to the switch.)



Electrical Schematic - Charging Circuit - Kawasaki FR651V

REF NO	PART NO	QTY	DESCRIPTION
5105552	5105552	1	HARNESS,SMALL ZTR W/NEUTRAL SWITCH

Not For Reproduction

Electrical Schematic - Cranking Circuit - Kawasaki FR651V

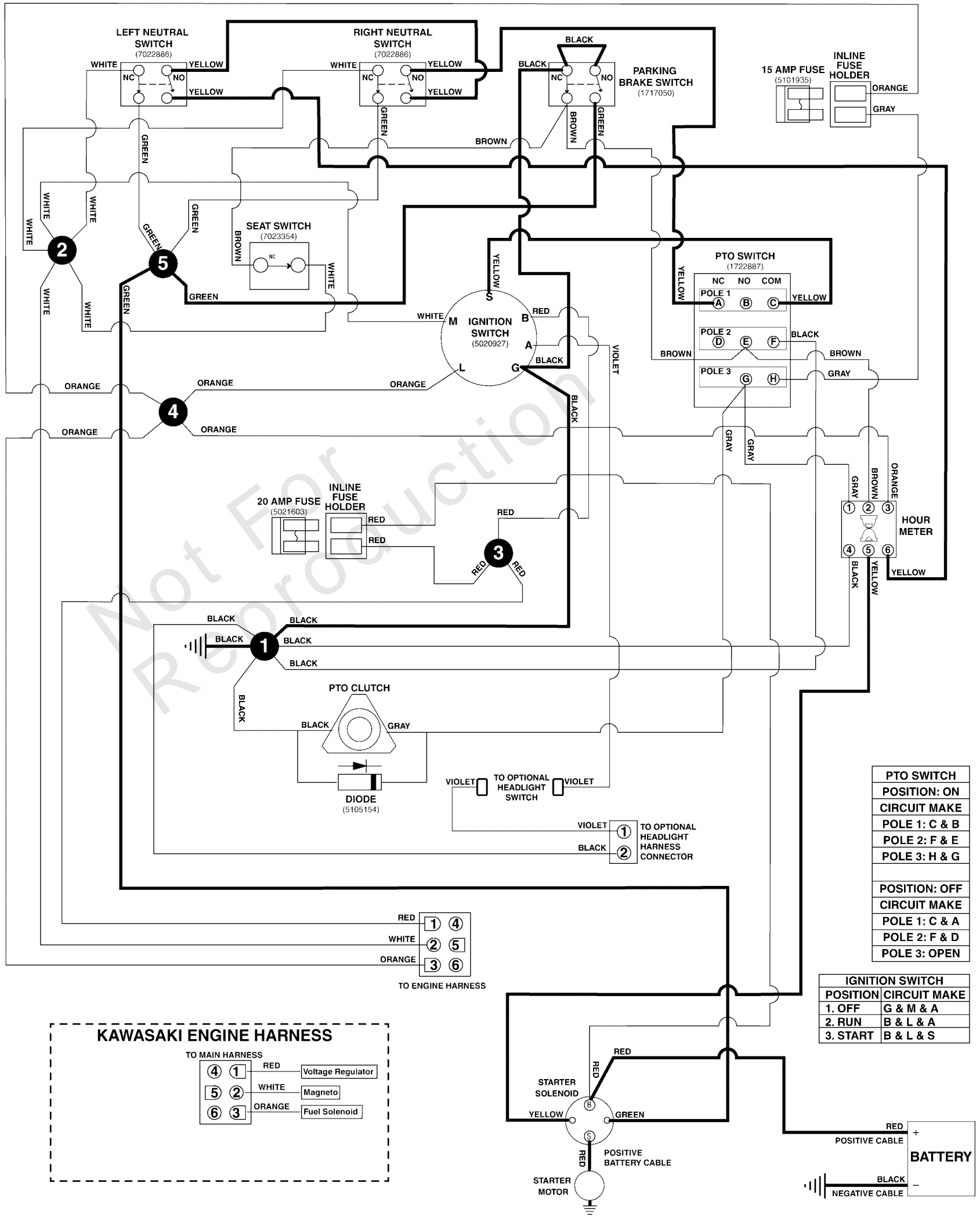
Note: Unless noted otherwise, use the standard torque specifications

Mfg. No: 5901705

510552 MAIN WIRE HARNESS - KAWASAKI FR651V ENGINES

510552B

(If internal schematic of the switch is not shown, the image of the switch represents the back view of the connector as it is connected to the switch.)



Electrical Schematic - Cranking Circuit - Kawasaki FR651V

REF NO	PART NO	QTY	DESCRIPTION
5105552	5105552	1	HARNESS,SMALL ZTR W/NEUTRAL SWITCH

Not For Reproduction

Electrical Schematic - Ign. Grounding Circuit/Op. Pres - Kawasaki FR651V

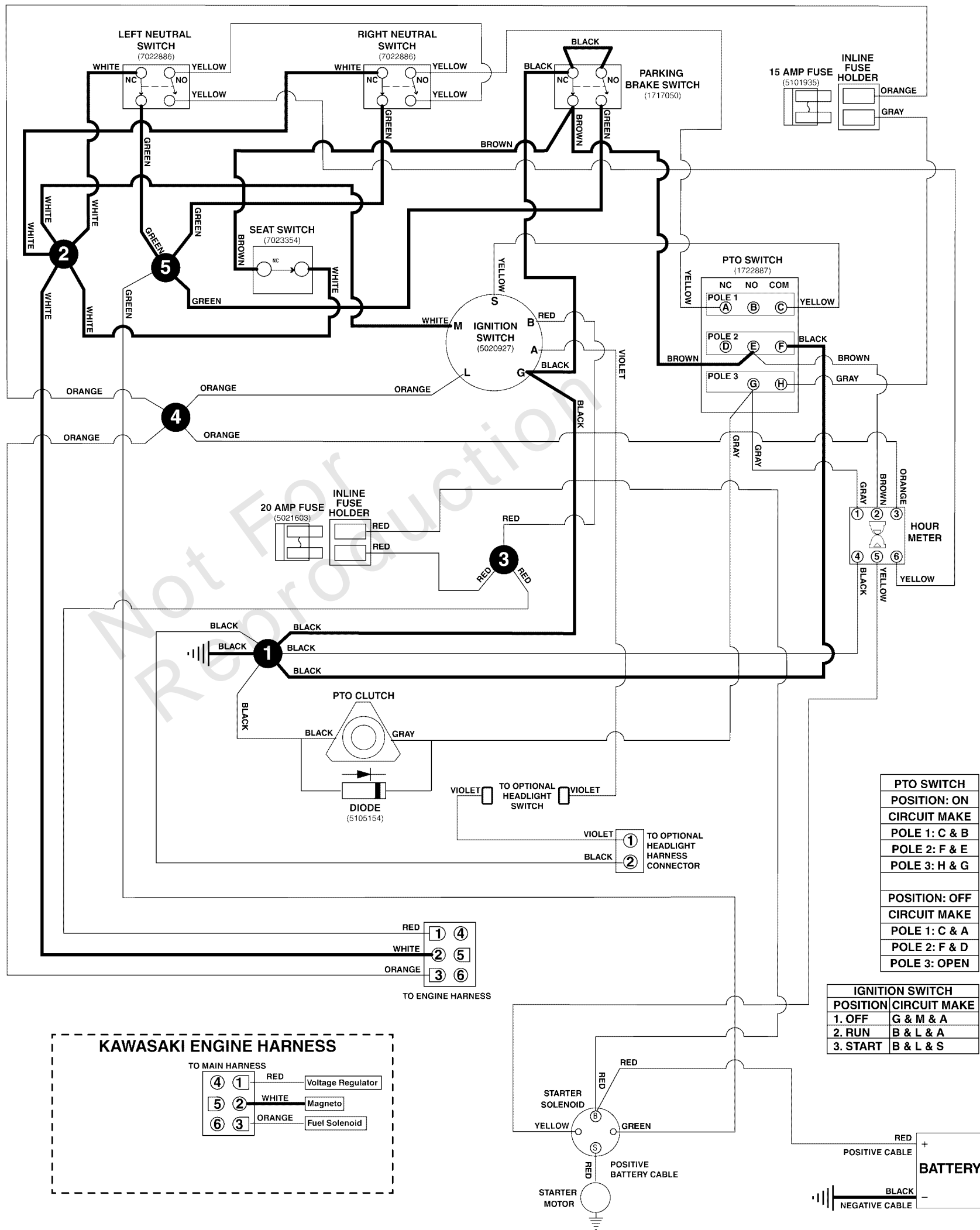
Note: Unless noted otherwise, use the standard torque specifications

Mfg. No: 5901705

510552 MAIN WIRE HARNESS - KAWASAKI FR651V ENGINES

510552B

(If internal schematic of the switch is not shown, the image of the switch represents the back view of the connector as it is connected to the switch.)



Electrical Schematic - Ign. Grounding Circuit/Op. Pres - Kawasaki FR651V

REF NO	PART NO	QTY	DESCRIPTION
5105552	5105552	1	HARNESS,SMALL ZTR W/NEUTRAL SWITCH

Not For Reproduction

Electrical Schematic - PTO Clutch Circuit - Kawasaki FR651V

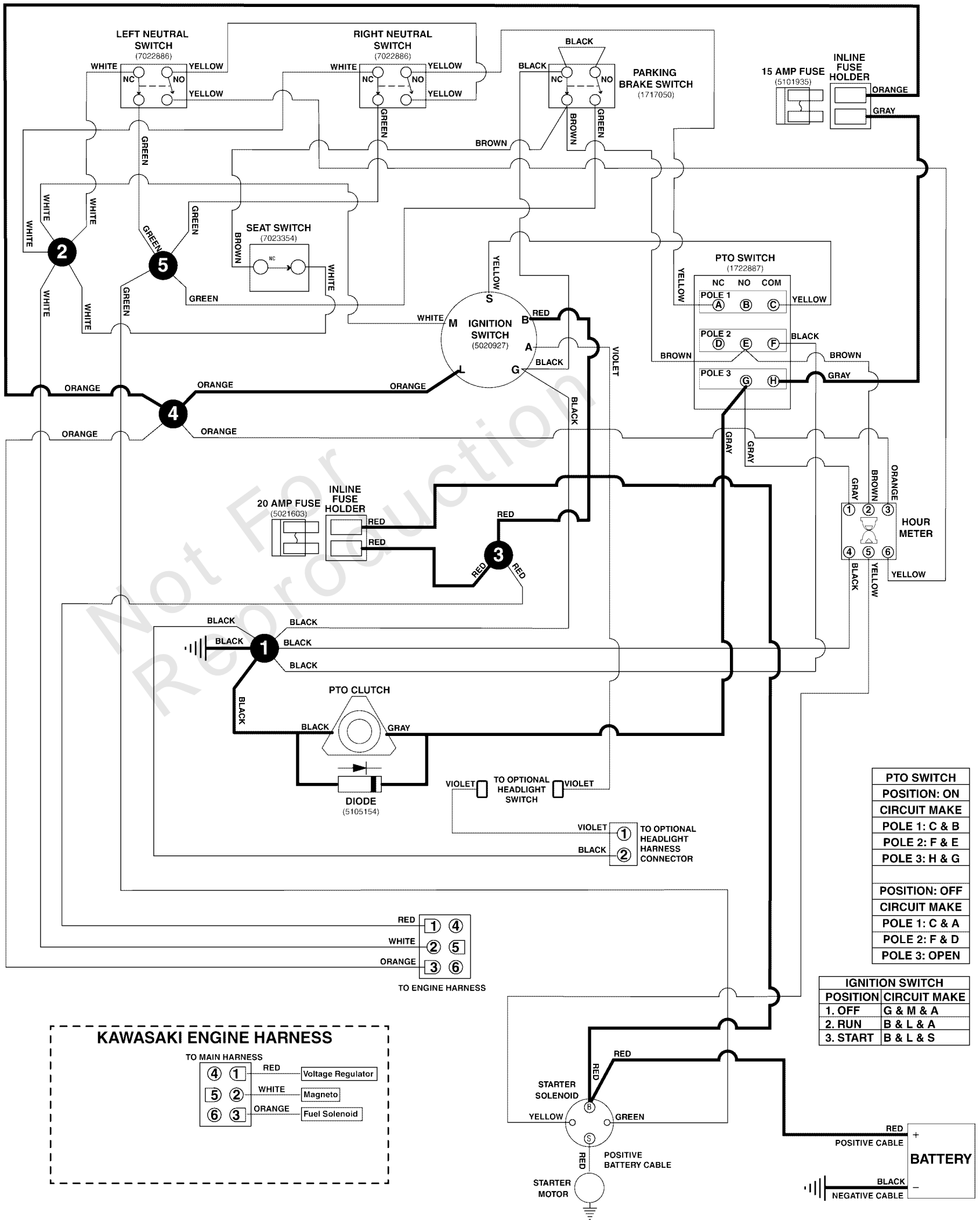
Note: Unless noted otherwise, use the standard torque specifications

Mfg. No: 5901705

510552 MAIN WIRE HARNESS - KAWASAKI FR651V ENGINES

510552B

(If internal schematic of the switch is not shown, the image of the switch represents the back view of the connector as it is connected to the switch.)



Electrical Schematic - PTO Clutch Circuit - Kawasaki FR651V

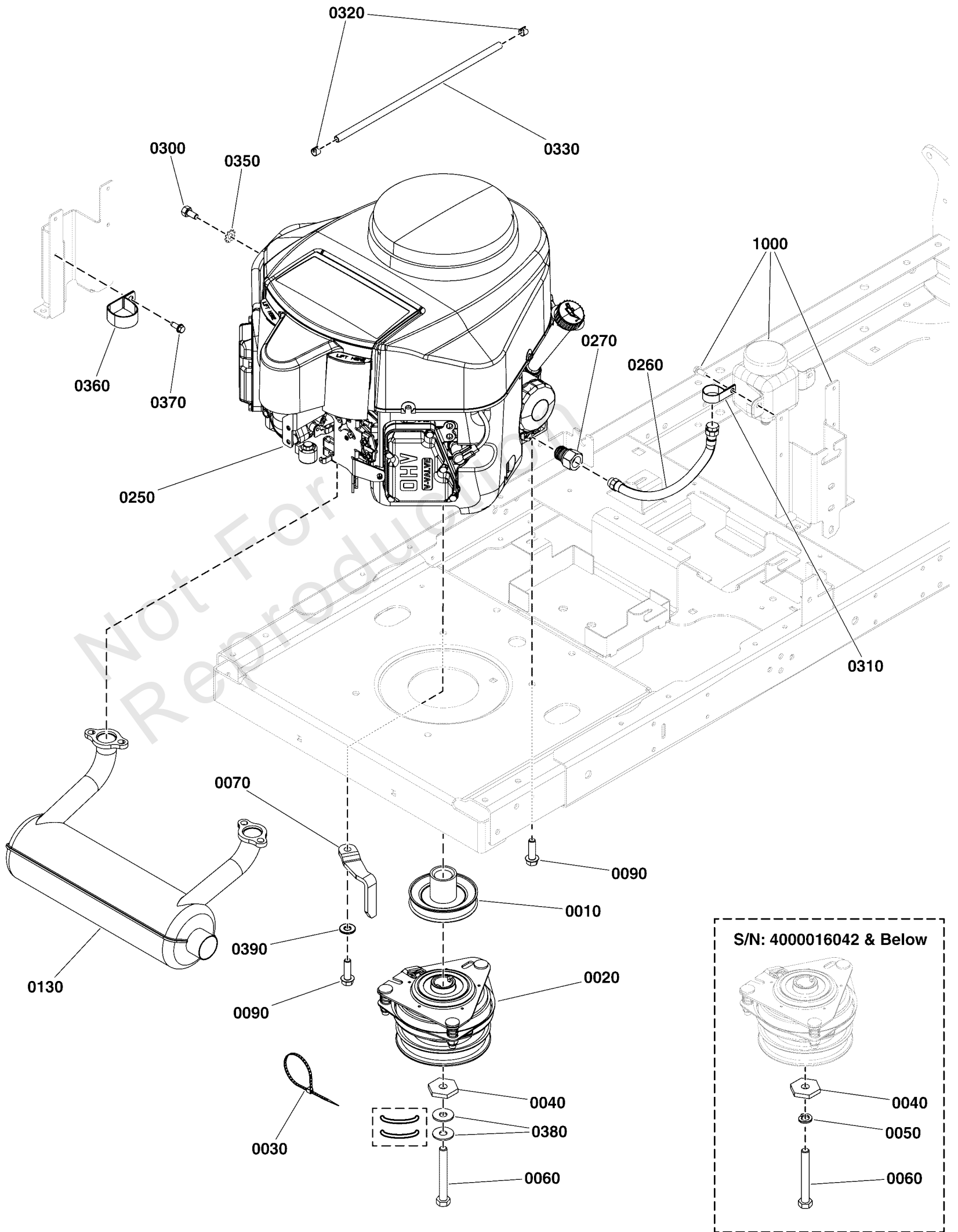
REF NO	PART NO	QTY	DESCRIPTION
5105552	5105552	1	HARNESS,SMALL ZTR W/NEUTRAL SWITCH

Not For Reproduction

Engine & PTO Group - Kawasaki FR651V

Note: Unless noted otherwise, use the standard torque specifications

Mfg. No: 5901705



Engine & PTO Group - Kawasaki FR651V

REF NO	PART NO	QTY	DESCRIPTION
0010	1757995	1	PULLEY ASSEMBLY, ENGINE - ZT
0020	1736105	1	CLUTCH, Electric, Mid Ogura
0030	-----	1	TIE, 7, Self Lock
0040	1708264	1	WASHER, Hex, .453 I.D. x 1-1/2"
0050	-----	1	WASHER -(S/N: 4000016042 & Below)(Replace using higher serial number components.)
0060	1960649	1	CAPSCREW, Hex Head, 7/16-20 x 3-1/2, 20HP -(Torque clutch mounting bolt to 45-50 ft-lbs (54-68 Nm))
0070	1737421A	1	GUIDE, Belt Retainer, Clutch
0090	5025532	4	BOLT, HEX FLG, SER, GD5 3/8-16 X 1-1/4" PACH CZ -(Torque engine mounting bolts to 15-17 ft-lbs (20-23 Nm))
0130	1758352	1	MUFFLER, ZT (KAWI FR651/691/730)
0250	-----	1	ENGINE, KAWASAKI 21.5 FR651 -(Refer to Note: *)
0260	1726498	1	HOSE-OIL DRAIN .375ID 16.5L
0270	5022234	1	ADAPTER, Oil Drain
0300	5025249	1	BOLT, M8-1.25 X 20 MM GD 8.8
0310	5021500	1	CLAMP, VINYL INSULATED, 1.00
0320	93807	2	CLAMP, Hose
0330	5050831X13	1	HOSE, 1/4" FUEL, 13.00"
0350	80003618	1	WSHR 5/16EXT TOOTH LOCK TYPE A ZINC/CLR
0360	5023263	1	CLAMP, VINYL INSULATED, 1.75 -(Secures engine fuel filter)
0370	80004190	1	SCREW, Hex Washer Head, Thread Roll, 1/4-20 x 5/8
0380	5025585	2	BELLEVILLE WASHER, 1.1875 X .442 X .098 -(S/N: 4000016043 & Above)
0390	-----	1	WSHR,.406X.875X.083FLT,TYPE A,ZINC/CLEAR
1000	-----	1	Refer to: Hydraulic Group

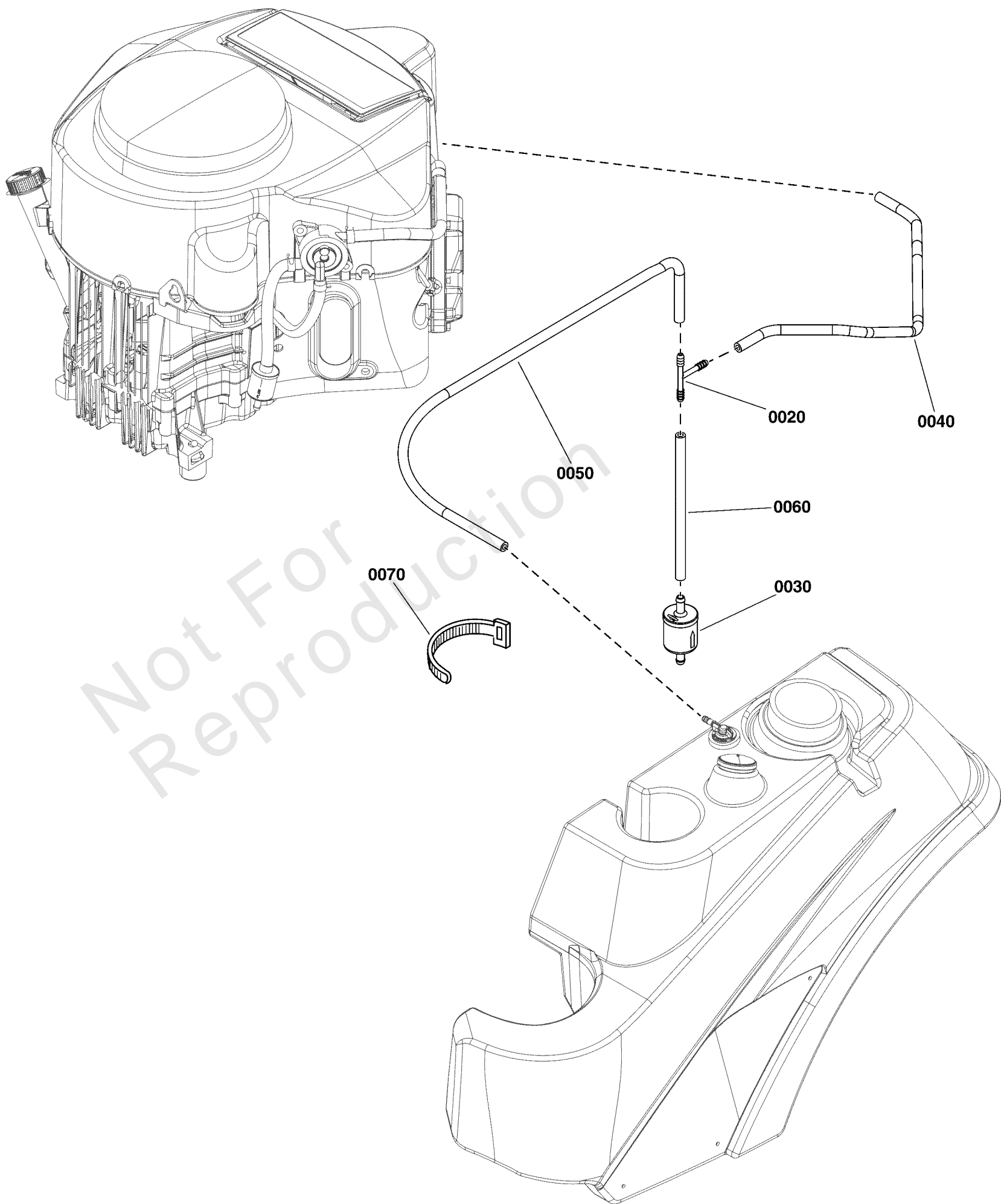
Footnotes:

Note: *Refer to your local Kawasaki distributor for parts and service.

Evap Group - Kawasaki

Note: Unless noted otherwise, use the standard torque specifications

Mfg. No: 5901705



Evap Group - Kawasaki

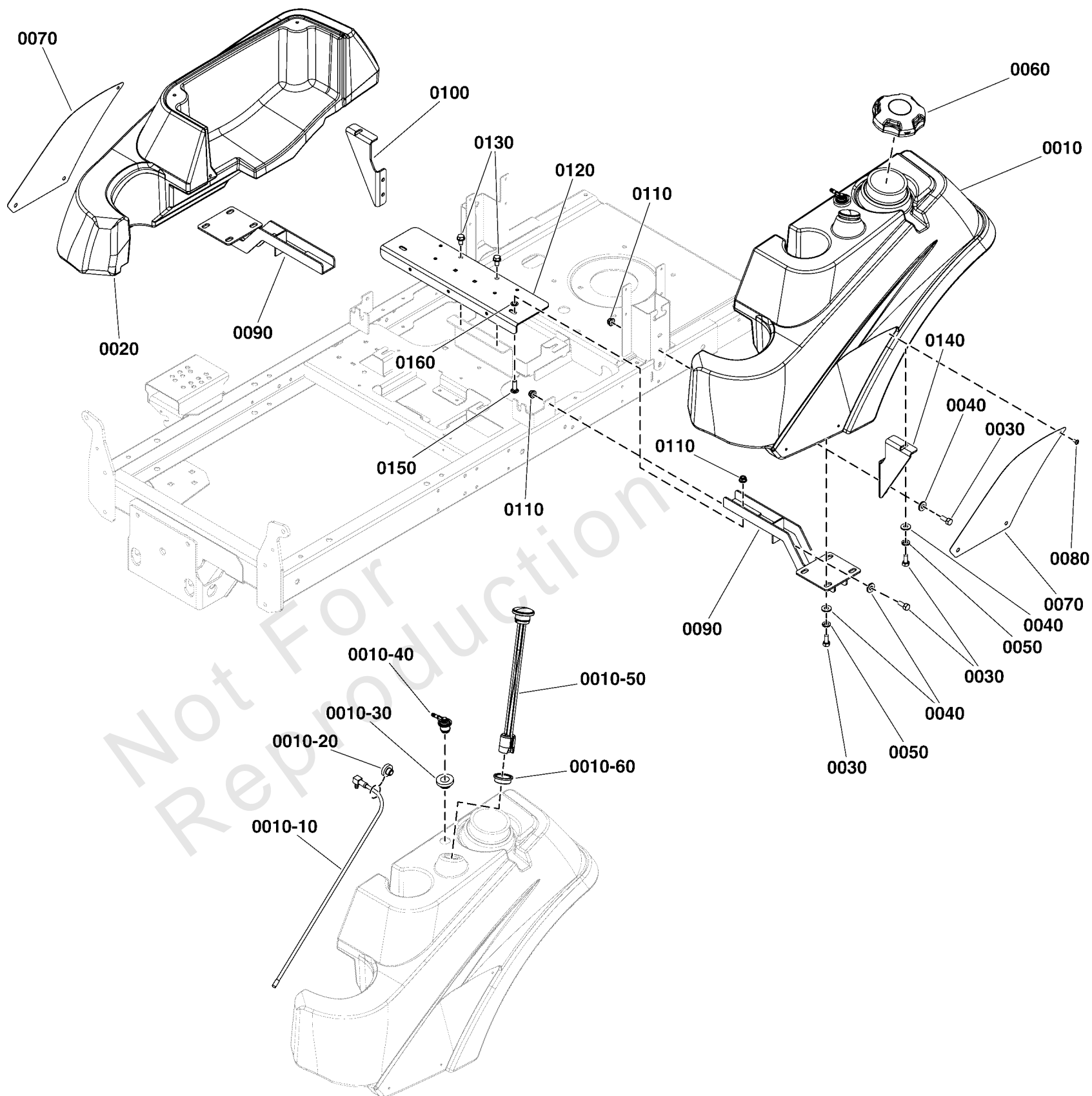
REF NO	PART NO	QTY	DESCRIPTION
0020	5103062	1	FITTING, 3/16" TEE, BARB TYPE, HDPE
0030	80025019	1	FILTER, FUEL
0040	7700552X23	1	HOSE, VAPOR, 5MM ID, 23.00 LG
0050	7700552X19	1	HOSE, VAPOR, 5MM ID, 19.00 LG
0060	7700552X2	1	HOSE, VAPOR, 5MM ID, 2.00 LG
0070	5021030	2	TIE, SELF-LOCKING, 6"

Not For Reproduction

Fuel Tank and Mount Group S/N: 2018115601 and Below

Note: Unless noted otherwise, use the standard torque specifications

Mfg. No: 5901705



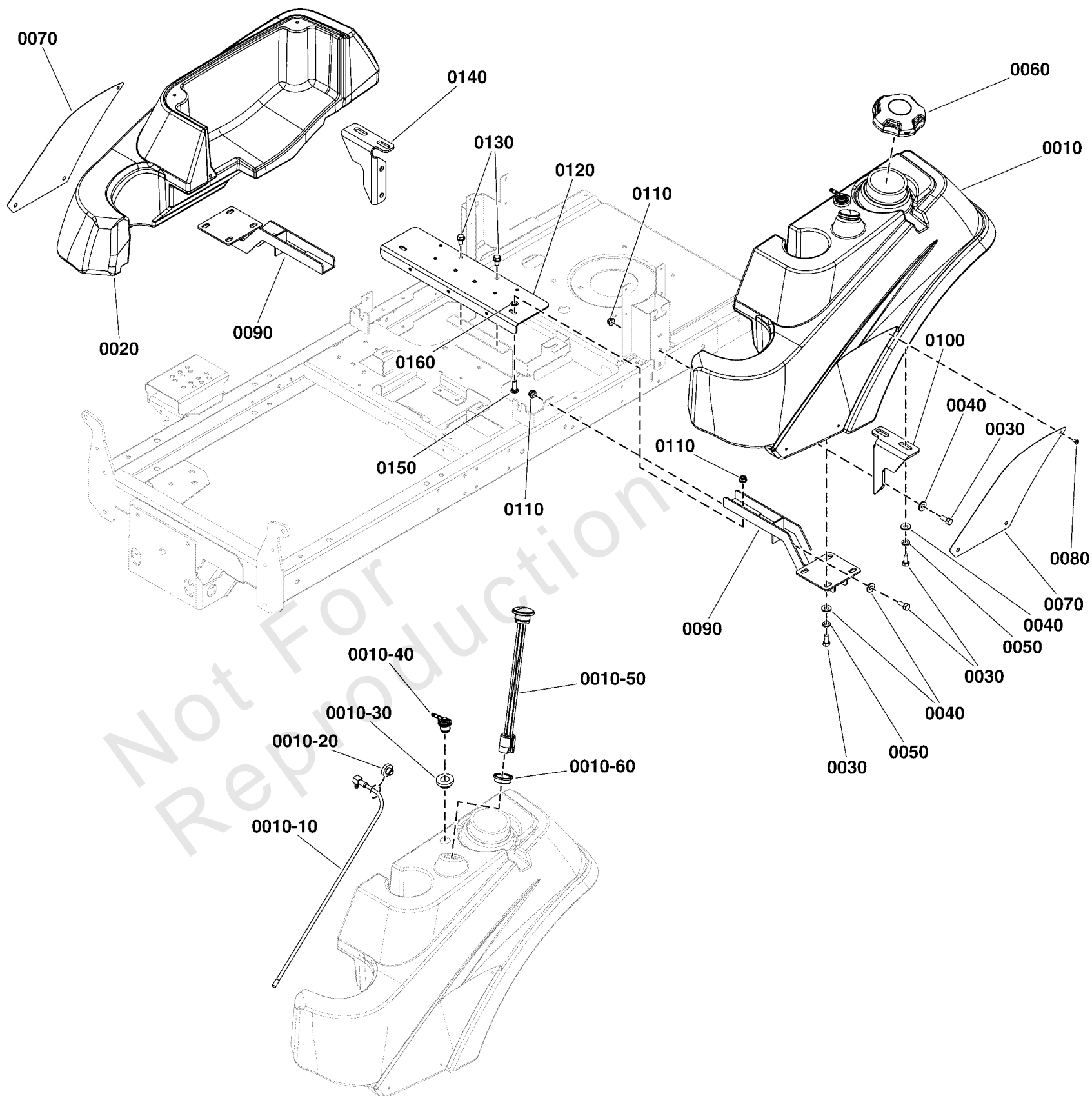
Fuel Tank and Mount Group S/N: 2018115601 and Below

REF NO	PART NO	QTY	DESCRIPTION
0010	5105496	1	TANK, FUEL, LH
0010-10	5101149	1	PICKUP TUBE ASM, FUEL TANK, 22"
0010-20	1726400	1	BUSHING-FUEL TANK RED RUBBER (SV)
0010-30	209043	1	GROMMET (SV)
0010-40	80019626	1	ASSY., REMOTE VENT - NO VALVE
0010-50	5022917	1	GAUGE, FUEL, 12 (SV)
0010-60	5022917X1	1	GROMMET, FUEL GAUGE (SV)
0020	5105497	1	TANK, FENDER, RH
0030	5025011X6	16	BOLT, 5/16-18 X 3/4 GD5
0040	5025292	16	WASHER, 5/16 GRADE 9, FLAT
0050	5025170	10	WASHER, 5/16 LOCK YZ
0060	5103005	1	FUEL CAP, 3-1/2", MANAGED VENT OUT, 12"
0070	5400250B	2	PLATE, BADGE - IS1500 - RED
0080	5025386	6	SCREW, Allen Head, #10-24 x 3/8"
0090	5416739A	2	WELD, TANK MOUNT, F400Z - BLK
0100	5416743A	1	PLATE, REAR TANK SUPPORT, RH - BLK
0110	5025392	8	NUT, 5/16-18 HEX NYLOCK FLANGE NUT
0120	5416687B	1	PLATE, TANK MOUNT CENTER SUPPORT - RED
0130	80005404	2	SCREW, 5/16-18X0.625, WSHR, THD-ROLL, ZC/CL
0140	5416768A	1	PLATE, REAR TANK SUPPORT, LH - BLK
0150	5025145X6	2	BOLT, 5/16-18 X 3/4, CARRIAGE, GD5, CZ
0160	5025498	2	5/16" PUSH-ON NUT RETAINER, STL, CZ

Fuel Tank and Mount Group S/N: 2018115602 and Above

Note: Unless noted otherwise, use the standard torque specifications

Mfg. No: 5901705



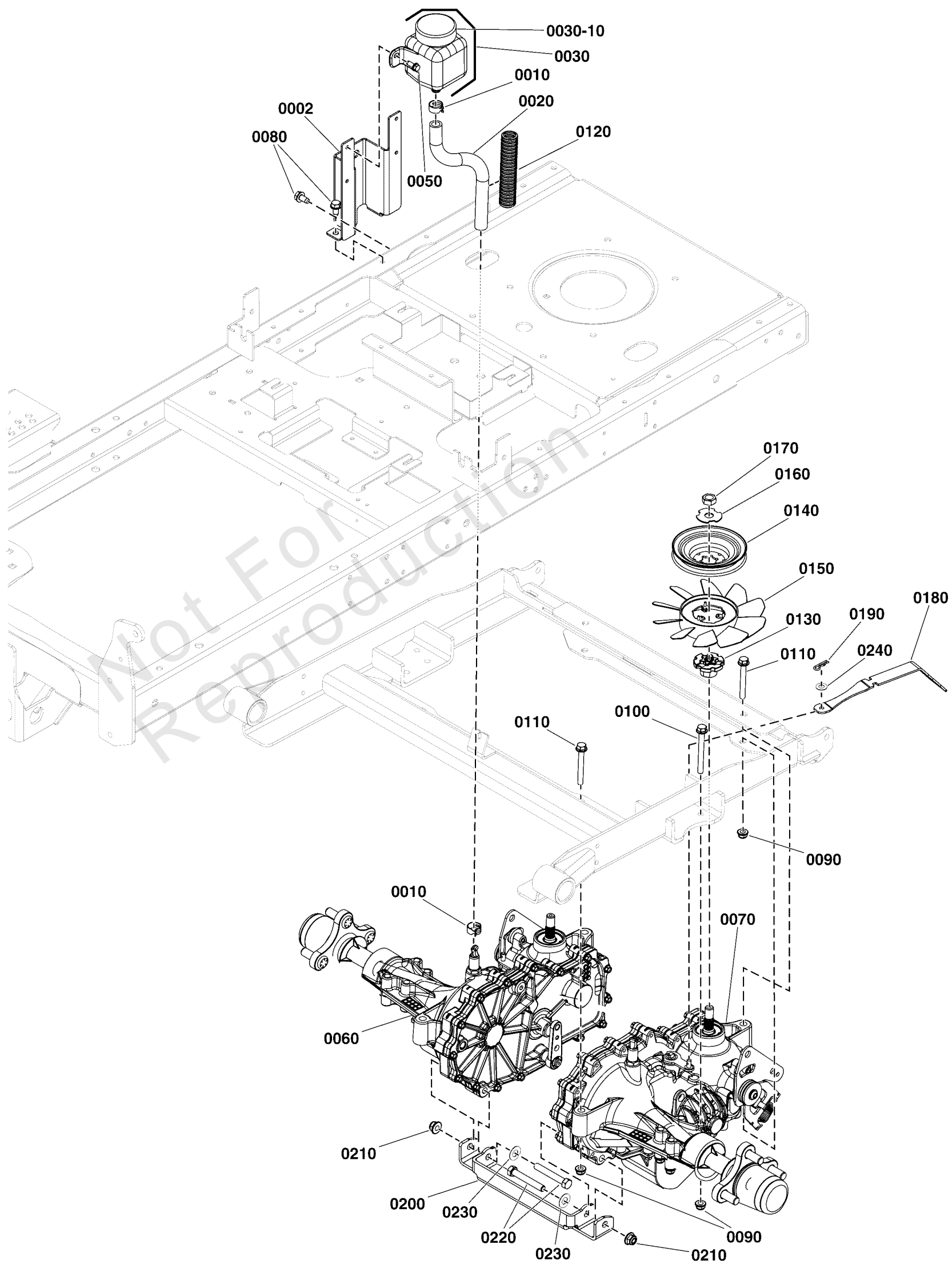
Fuel Tank and Mount Group S/N: 2018115602 and Above

REF NO	PART NO	QTY	DESCRIPTION
0010	5105496	1	TANK, FUEL, LH
0010-10	5101149	1	PICKUP TUBE ASM, FUEL TANK, 22"
0010-20	1726400	1	BUSHING-FUEL TANK RED RUBBER (SV)
0010-30	209043	1	GROMMET (SV)
0010-40	80019626	1	ASSY., REMOTE VENT - NO VALVE
0010-50	5022917	1	GAUGE, FUEL, 12 (SV)
0010-60	5022917X1	1	GROMMET, FUEL GAUGE (SV)
0020	5105497	1	TANK, FENDER, RH
0030	5025011X6	16	BOLT, 5/16-18 X 3/4 GD5 -(Qty: 18 - Serial Number 4001863159 and below)
0040	5025292	16	WASHER, 5/16 GRADE 9, FLAT -(Qty: 18 - Serial Number 4001863159 and below)
0050	5025170	10	WASHER, 5/16 LOCK YZ -(Qty: 12 - Serial Number 4001863159 and below)
0060	5103005	1	FUEL CAP, 3-1/2", MANAGED VENT OUT, 12"
0070	5400250B	2	PLATE, BADGE - IS1500 - RED
0080	5025386	6	SCREW, Allen Head, #10-24 x 3/8"
0090	5416739A	2	WELD, TANK MOUNT, F400Z - BLK
0100	5417909A	1	PLATE, REAR TANK MOUNT - BLK -(Serial Number 4001863159 and below)
0100	5421530AA	1	PLATE, REAR TANK MOUNT, LH - BLK -(Serial Number 4001863160 and above)
0110	5025392	8	NUT, 5/16-18 HEX NYLOCK FLANGE NUT
0120	5416687B	1	PLATE, TANK MOUNT CENTER SUPPORT - RED
0130	80005404	2	SCREW, 5/16-18X0.625, WSHR, THD-ROLL, ZC/CL
0140	5417910A	1	PLATE, REAR TANK MOUNT - BLK -(Serial Number 4001863159 and below)
0140	5421531AA	1	PLATE, REAR TANK MOUNT, RH - BLK -(Serial Number 4001863160 and above)
0150	5025145X6	2	BOLT, 5/16-18 X 3/4, CARRIAGE, GD5, CZ
0160	5025498	2	5/16" PUSH-ON NUT RETAINER, STL, CZ

Hydraulic Group - S/N: 400034138 & Below

Note: Unless noted otherwise, use the standard torque specifications

Mfg. No: 5901705



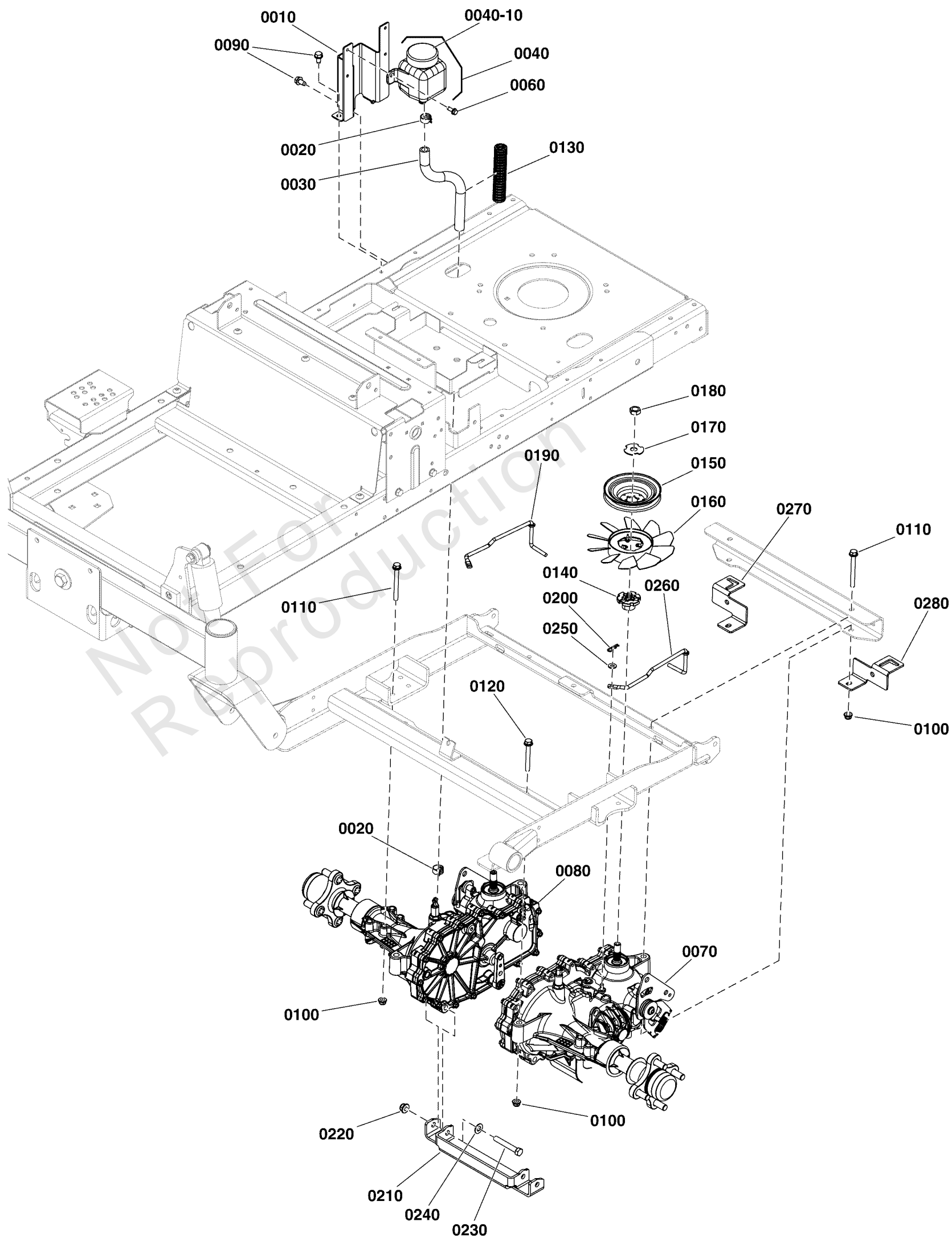
Hydraulic Group - S/N: 400034138 & Below

REF NO	PART NO	QTY	DESCRIPTION
0002	5416652A	2	PLATE, HYDRO RES. MOUNT - BLK
0010	5025474	4	CLAMP, HOSE, .75 FREE DIA.
0020	5050857X9P5	2	HOSE, 1/2 PUSH-LOCK, 9.50
0030	5100473	2	RESERVOIR, HYDRO OIL, 350 ML
0030-10	5100778X1	2	RESERVOIR CAP (SV)
0050	80004190	4	SCREW, Hex Washer Head, Thread Roll, 1/4-20 x 5/8
0060	1759445	1	TRANSMISSION, 2800 RH
0070	1759446	1	TRANSMISSION, 2800 LH
0080	80005404	6	SCREW,5/16-18X0.625,WSHR,THD-ROLL,ZC/CL
0090	5025392	12	NUT, 5/16-18 HEX NYLOCK FLANGE NUT
0100	80008909	8	SCREW, HEX WASHER HD-5/16-18X3.00
0110	80018048	4	SCREW, HEX WASHER HD-5/16-18X2.50
0120	5050862X5	2	WIRE LOOM, 3/4 ID X 5 IN
0130	1759450	2	SPACER, Transmission, 26 Tooth Spline
0140	1759447	2	PULLEY TRANSMISSION INPUT (4.50)
0150	1759449	2	FAN, 7" CCW INPUT (WHITE)
0160	5102914	2	WASHER, ZT5400, SLOTTED
0170	5102916	2	NUT, ZT5400
0180	1759276A	2	VALVE, TOW (2800 SUSP) (BLACK)
0190	-----	2	HAIRPIN.080 WIRE 1.19LG.25DIA,ZINC/CLEAR
0200	1759172A	1	BRKT, FRONT TRANS SUPPORT (2800)(BLACK)
0210	5025394	2	NUT, 3/8 - 16 HEX NYLOCK FLANGE
0220	5025013X20	2	BOLT, 3/8-16 X 2-1/2" GD5 CZ
0230	5025156	2	WASHER, 3/8 SAE
0240	5025154	2	WASHER, 1/4 SAE

Hydraulic Group - S/N: 400034139 & Above

Note: Unless noted otherwise, use the standard torque specifications

Mfg. No: 5901705



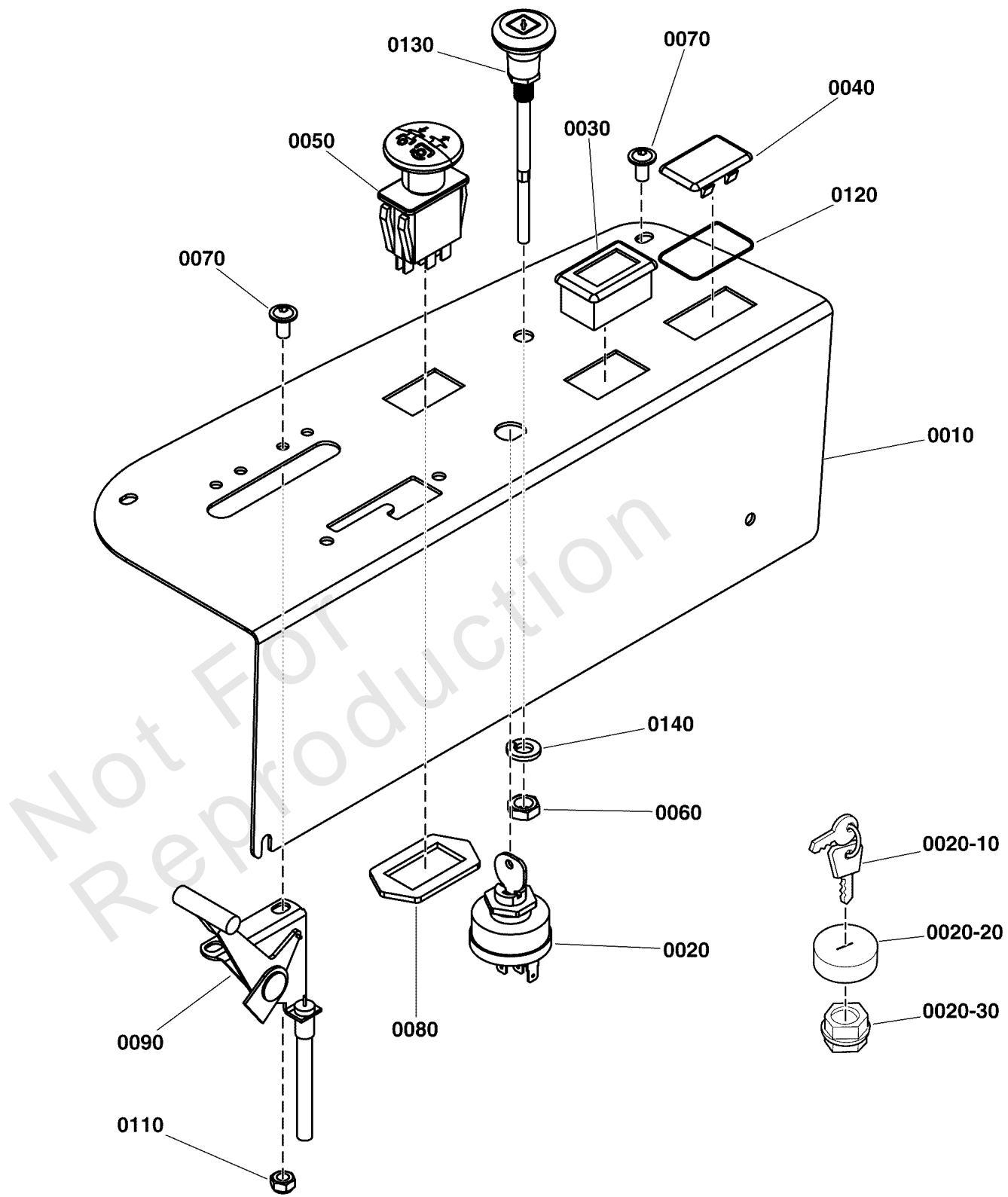
Hydraulic Group - S/N: 4000034139 & Above

REF NO	PART NO	QTY	DESCRIPTION
0010	5416652A	2	PLATE, HYDRO RES. MOUNT - BLK
0020	5025474	4	CLAMP, HOSE, .75 FREE DIA.
0030	5050857X9P5	2	HOSE, 1/2 PUSH-LOCK, 9.50
0040	5100473	2	RESERVOIR, HYDRO OIL, 350 ML
0040-10	5100778X1	2	RESERVOIR CAP (SV)
0060	80004190	4	SCREW, Hex Washer Head, Thread Roll, 1/4-20 x 5/8
0070	80080355	1	TRANS, 2800-LH
0080	80080356	1	TRANS, 2800-RH
0090	80005404	6	SCREW,5/16-18X0.625,WSHR,THD-ROLL,ZC/CL
0100	5025392	12	NUT, 5/16-18 HEX NYLOCK FLANGE NUT
0110	80008909	10	SCREW, HEX WASHER HD-5/16-18X3.00
0120	80018048	2	SCREW, HEX WASHER HD-5/16-18X2.50
0130	5050862X5	2	WIRE LOOM, 3/4 ID X 5 IN
0140	5107809	2	SPACER, Transmission, 17 Tooth Spline (HG-54759)
0150	1759447	2	PULLEY TRANSMISSION INPUT (4.50)
0160	1759449	2	FAN, 7" CCW INPUT (WHITE)
0170	5102914	2	WASHER, ZT5400, SLOTTED
0180	5102916	2	NUT, ZT5400
0190	5106395	1	ROD, TOW RELEASE, RH
0200	-----	2	HAIRPIN.080 WIRE 1.19LG.25DIA,ZINC/CLEAR
0210	1759172A	1	BRKT, FRONT TRANS SUPPORT (2800)(BLACK)
0220	5025394	2	NUT, 3/8 - 16 HEX NYLOCK FLANGE
0230	5025013X20	2	BOLT, 3/8-16 X 2-1/2" GD5 CZ
0240	5025156	2	WASHER, 3/8 SAE
0250	5025154	2	WASHER, 1/4 SAE
0260	5106396	1	ROD, TOW RELEASE, LH
0270	5417674A	1	BRKT, TOW RELEASE CATCH, RH - BLK
0280	5417675A	1	BRKT, TOW RELEASE CATCH, LH - BLK

Instrument Control Panel Group

Note: Unless noted otherwise, use the standard torque specifications

Mfg. No: 5901705



Instrument Control Panel Group

REF NO	PART NO	QTY	DESCRIPTION
0010	5416689A	1	PLATE, DASH PANEL, R-SERIES - BLK
0020	5020927	1	SWITCH, IGNITION, 6 POST
0020-10	5022789	1	KEY, IGNITION MOLDED SET
0020-20	5022790	1	COVER, PLASTIC, SNAP ON
0020-30	5022791	1	PLASTIC NUT
0030	-----	1	HOUR METER, 2 CHANNEL -(Refer to Note: *)
0040	1722611	1	PLUG, Hole (Black Plastic)
0050	1722887	1	SWITCH-PTO PUSH
0060	5025309	1	NUT, 3/8-24 Hex Jam
0070	5025299X4	5	SCREW, ALLEN HEAD 1/4-20X.500 ZINC PHOS
0080	5022222	1	RING, SWITCH RETAINER
0090	5048231	1	CABLE, Throttle Control, 40"
0110	5025095	2	HUT, HEX NYLON LOCK, 1/4x20"
0120	5022269	1	O-RING, 7/8" ID X 1/16" W
0130	5047143	1	CABLE, CHOKE CONTROL, 39.5"
0140	5025171	1	WASHER, 3/8" SPLIT LOCK

Not For
Reproduction

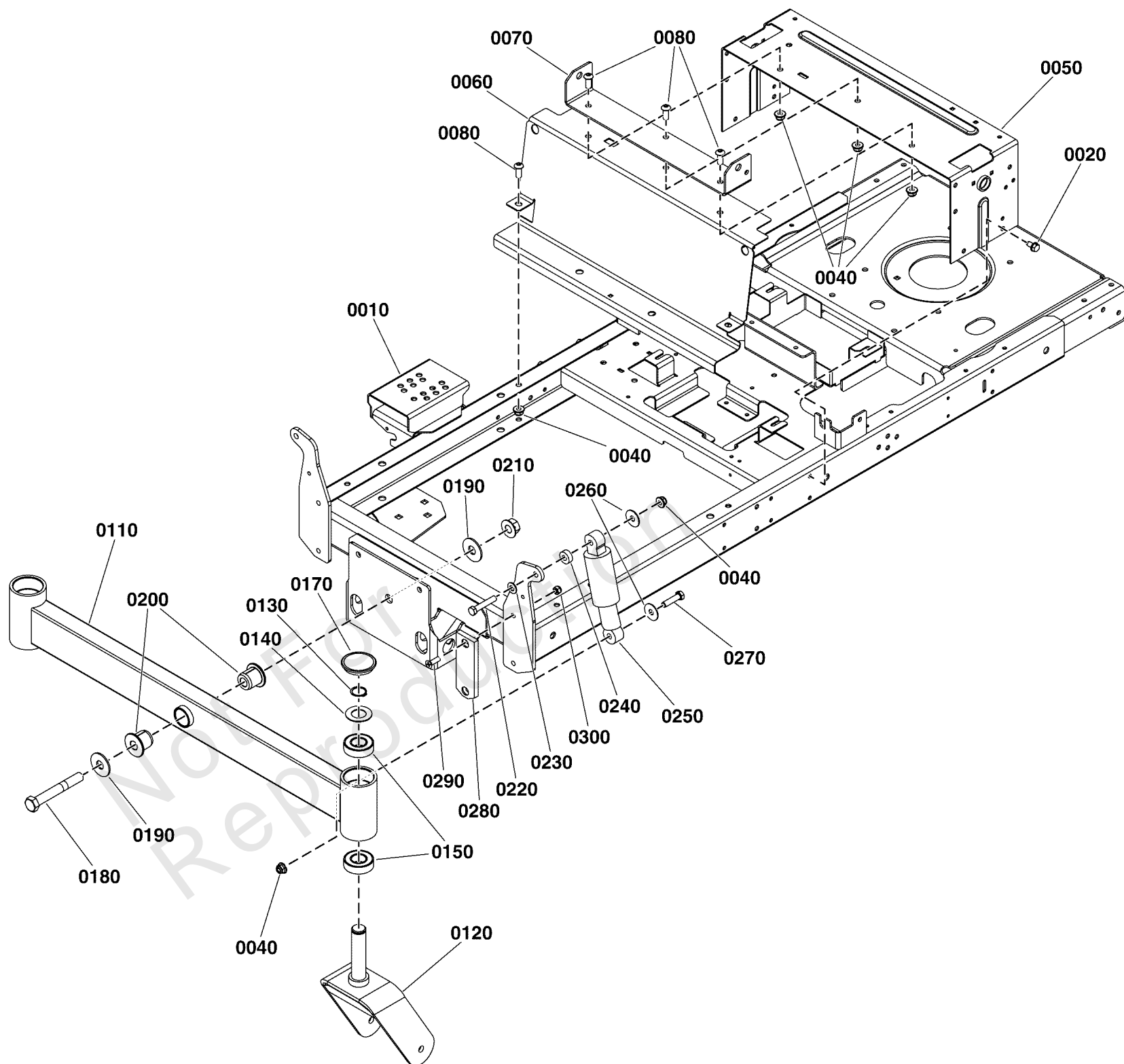
Footnotes:

Note: *If replacing contact the Service Department at 1-800-933-6175.

Main Frame & Front Suspension Group

Note: Unless noted otherwise, use the standard torque specifications

Mfg. No: 5901705

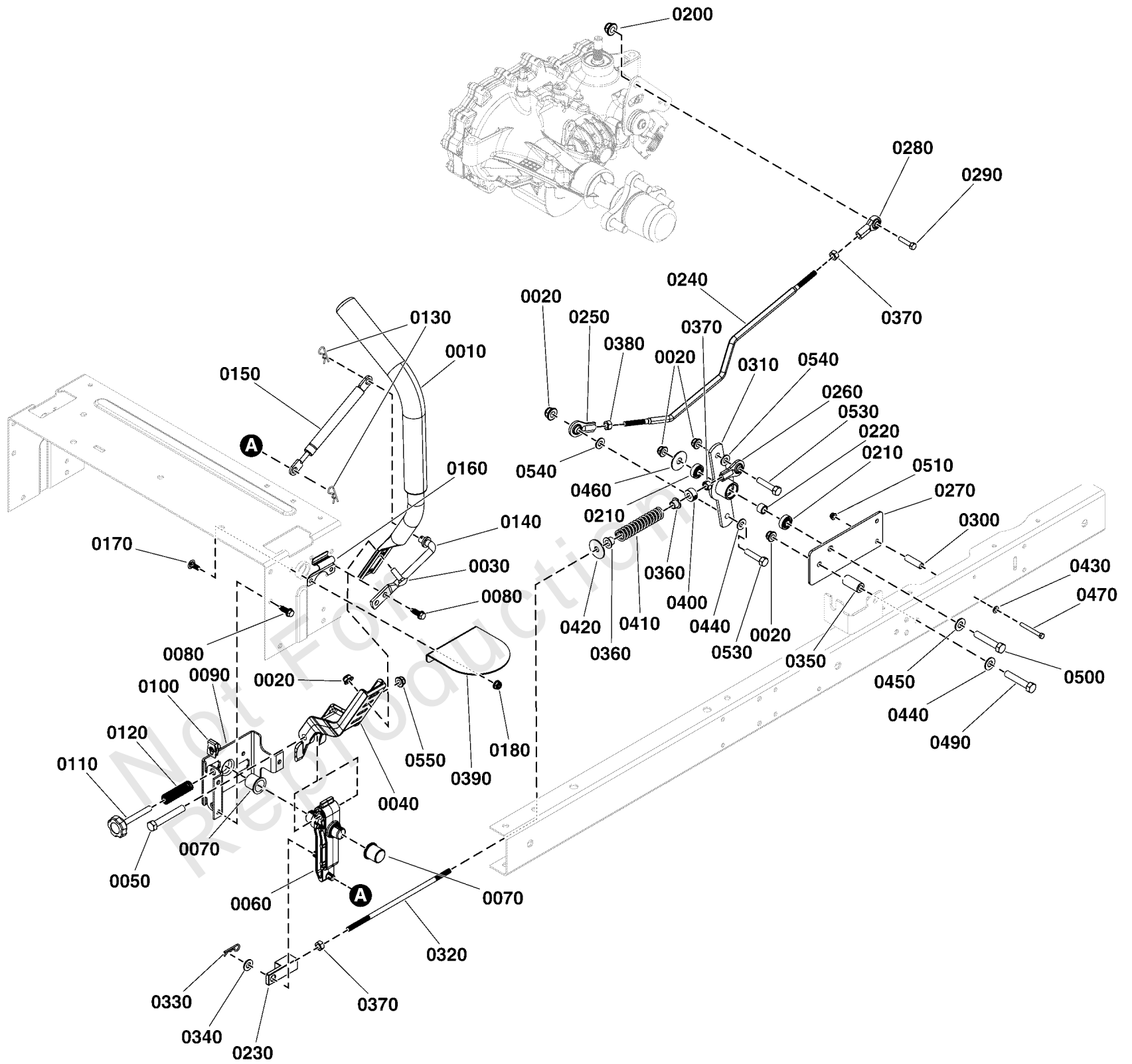


Main Frame & Front Suspension Group

REF NO	PART NO	QTY	DESCRIPTION
0010	-----	1	WELD, MAIN FRAME, F400Z - RED -(Refer to Note: *)
0020	80005404	4	SCREW,5/16-18X0.625,WSHR,THD-ROLL,ZC/CL
0040	5025394	9	NUT, 3/8 - 16 HEX NYLOCK FLANGE
0050	1758010B	1	BRKT, CONTROL - RED
0060	1757796B	1	BRKT, BRAND PLATE - RED
0070	5416789B	1	PLATE, SEAT PLATE PIVOT
0080	80087701	5	SCREW, 3/8-16 X .88 PAN HD TORX
0110	1761505B	1	WELDMENT, FRONT AXLE - PIVOTING (FER RED
0120	1761504B	2	WELDMENT,FRONT CASTER (PIV AXLE)(FER RED -(S/N: 4000771923 and below)
0120	80081658B	2	WELDMENT, FRONT CASTER - RED -(S/N: 4000771924 and above)
0130	80005606	2	RETAINER,1.000,EXT RING,ZINC/CLEAR
0140	80004282	2	WASHER,1.017IDX1.812ODX0.6THK,FLAT,ZC/CL
0150	1758354	4	BEARING, 25 MM ID
0170	5105524	2	CAP, Caster
0180	80012496	1	BOLT, HEX HD 5/8-11 X 4.50 G5
0190	1960035	2	WASHER, 0.64 I.D. x 1.75 O.D. x .11 Thick, Black
0200	1759234	2	BUSHING, FLANGED - AXLE
0210	80026832	1	NUT-HEX FLANGE 5/18-11 TWO WAY LOCK ZC/CL
0220	80003522	2	HHCS, 3/8-16 X 2.00, GR5, ZINC/CLEAR
0230	5025156	2	WASHER, 3/8 SAE
0240	1667811	2	SPACER-0.390ID 0.90 OD 0.34 LG P'MTL YEL
0250	1755279	2	SHOCK ABSORBER, 8" LENGTH
0260	5025165	4	WASHER, 3/8" Fender
0270	80004479	2	* CAPSCREW, Hex Head, 3/8-16 X 1-1/2, GR5
0280	1759391	2	PAD, FRICTION - 1.75 X 5.03
0290	5025594	4	SCREW, 5/16-18 X 1, PHILLIPS HD, BZ
0300	5025057	4	NUT, Hex, Nylon Locking, 5/16-18

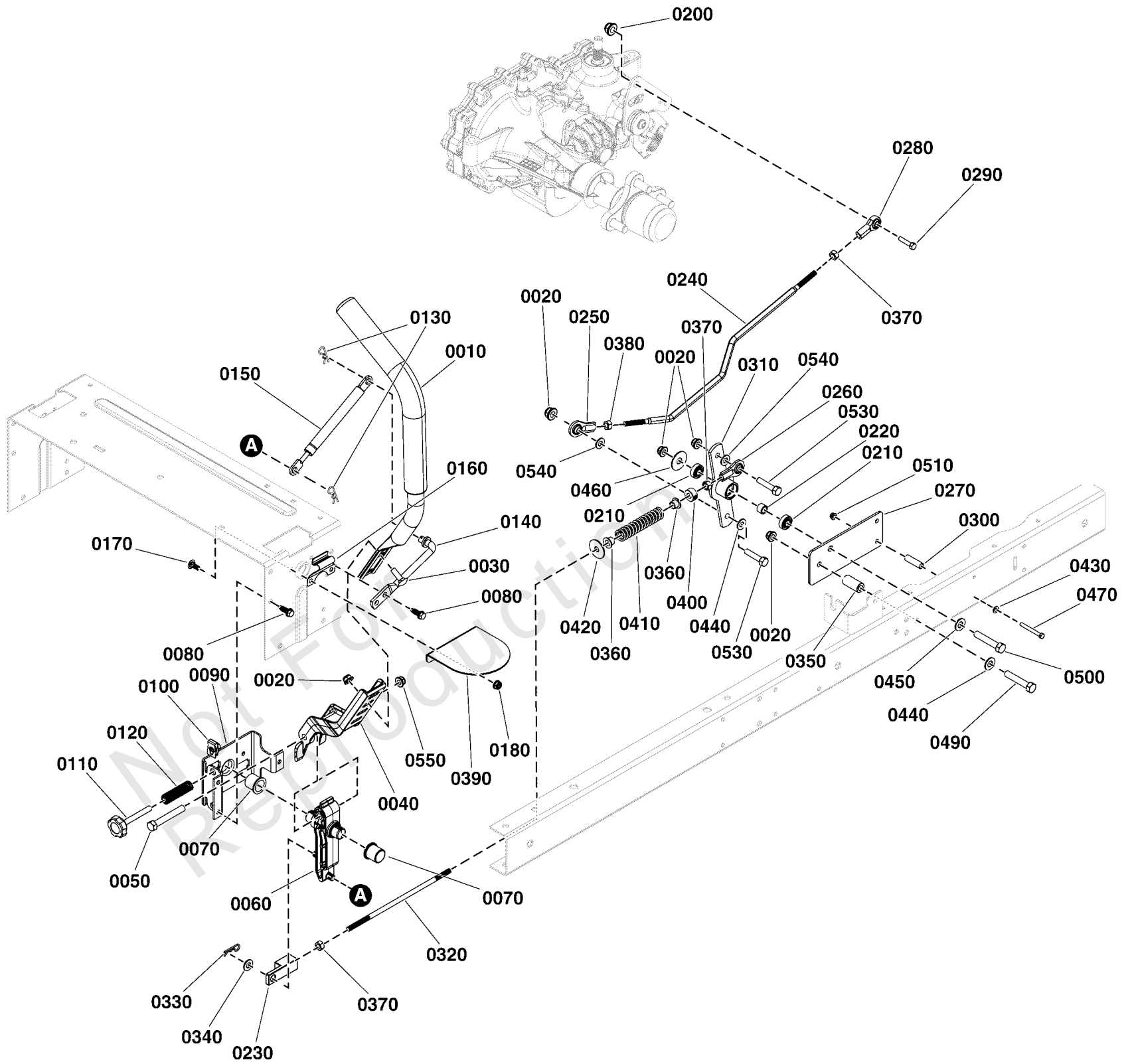
Footnotes:

Note: *If frame is damaged, call 1-800-933-6175 ext. 709



Motion Control Group

REF NO	PART NO	QTY	DESCRIPTION
0010	1758372	2	HANDLE, CONTROL W/ GRIP
0020	5025392	8	NUT, 5/16-18 HEX NYLOCK FLANGE NUT
0030	80004473	4	BOLT,5/16-18X1.000,ROUND HD CRRG,ZC/CL
0040	1757965	2	ARM, UPPER CONTROL
0050	5025013X20	2	BOLT, 3/8-16 X 2-1/2" GD5 CZ
0060	1757964	2	ARM, LOWER CONTROL
0070	2176440	4	BUSHING-0.765ID 0.885OD 0.877LG NYLON
0080	80005404	10	SCREW,5/16-18X0.625,WSHR,THD-ROLL,ZC/CL
0090	1758087A	2	BRKT, INNER CONTROL PIVOT (BLACK)
0100	1960717	2	NUT, 5/16-18 Speed (Lug Type .050/.200, Black)
0110	1758373	2	KNOB, 5/16-18 X 2.50" STUD
0120	1650347	2	SPRING-COMP 0.50 IDX 02.328LG .063WIRE D
0130	5025211	4	PIN, HAIR, .0585 X 1-1/8, 1/4 EYE, YZ
0140	1758463	2	ROD, DAMPNER MNT
0150	5105587	2	DAMPENER, 18MM X 70MM
0160	1759182	2	LATCH, CONTROL ARM
0170	1960252	4	BOLT-RD HD SH SQ NK 1/4-20X0.625 G5 BLK
0180	5025391	4	NUT, 1/4-20 Hex Nylock Flange
0200	5025057	2	NUT, Hex, Nylon Locking, 5/16-18
0210	5102003	4	BEARING, .375" ID X .875" OD X .341" THK
0220	5103676	2	SPACER, .39 X .55 X .38, PM, CZ
0230	5105515	2	EYE END, .385 HOLE, 5/16-24 THREAD
0240	5105513	2	ROD, LOWER CONTROL, PUMP DRIVE
0250	5104579	2	BALL JOINT 5/16-24 LH FEMALE STAMPED STL
0260	5104578	2	BALL JOINT 5/16-24 RH FEMALE STAMPED STL
0270	5416729B	2	PLATE, CONTROL PIVOT MOUNT - RED
0280	5104493	2	BALL JOINT 5/16-24 RH FEMALE BRONZE RACE
0290	5105551	2	BOLT, 7/16 X 1/8 SHLD 5/16-18 X 3/4 THRD
0300	5101215	4	SPACER, .26 X .38 X 1.250, YZ
0310	5416759A	2	WELD, CONTROL PIVOT, 400 - BLK
0320	5104053	2	ROD, 5/16-24 RH & LH, 8.75" CZ
0330	-----	2	PIN, 3/32 X 1.600, HAIR, ZINC/CLEAR
0340	-----	2	WSHR,.406X.875X.083FLT,TYPE A,ZINC/CLEAR
0350	5102599	2	SPACER, .38 X .75 X 1.25, PM, CZ
0360	5102773	4	BUSHING, .38ID X .47 OD X .38L, FL
0370	5025033	6	NUT, Hex, 5/16-24
0380	5023212	2	NUT, 5/16-24 HEX, LH
0390	5416898A	2	PLATE, CONTROL ARM GUARD - BLK
0400	5020047	2	COLLAR, 5/16" Set
0410	5022645	2	SPRING, REVERSE RETURN
0420	5025337	2	WASHER, 5/16" USS
0430	5025154	4	WASHER, 1/4 SAE
0440	5025155	4	WASHER, 5/16" SAE
0450	5025156	2	WASHER, 3/8 SAE
0460	5025165	2	WASHER, 3/8" Fender
0470	5025010X16	4	BOLT, 1/4-20 X 2", GD5
0490	5025011X18	2	BOLT, 5/16-18 X 2-1/4" GD5 YZ
0500	80003522	2	HHCS, 3/8-16 X 2.00, GR5, ZINC/CLEAR
0510	5025391	4	NUT, 1/4-20 Hex Nylock Flange
0530	5025055X10	4	BOLT, 5/16-18 x 1-1/4" TFL GD 5
0540	5025292	4	WASHER, 5/16 GRADE 9, FLAT



Motion Control Group

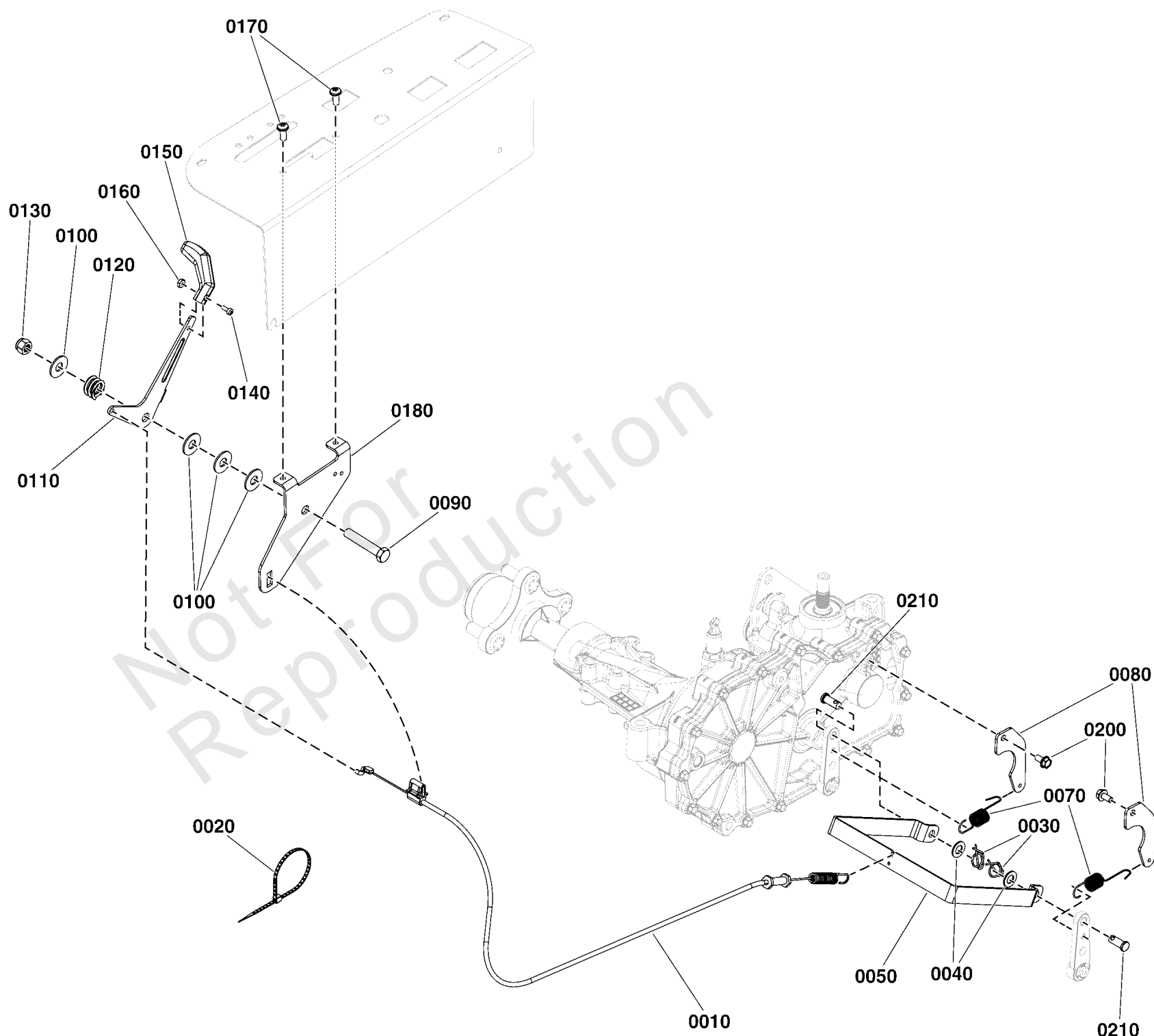
REF NO	PART NO	QTY	DESCRIPTION
0550	5025096	2	NUT, Hex, Nylon Locking, 3/8-16

Not For Reproduction

Parking Brake Group

Note: Unless noted otherwise, use the standard torque specifications

Mfg. No: 5901705



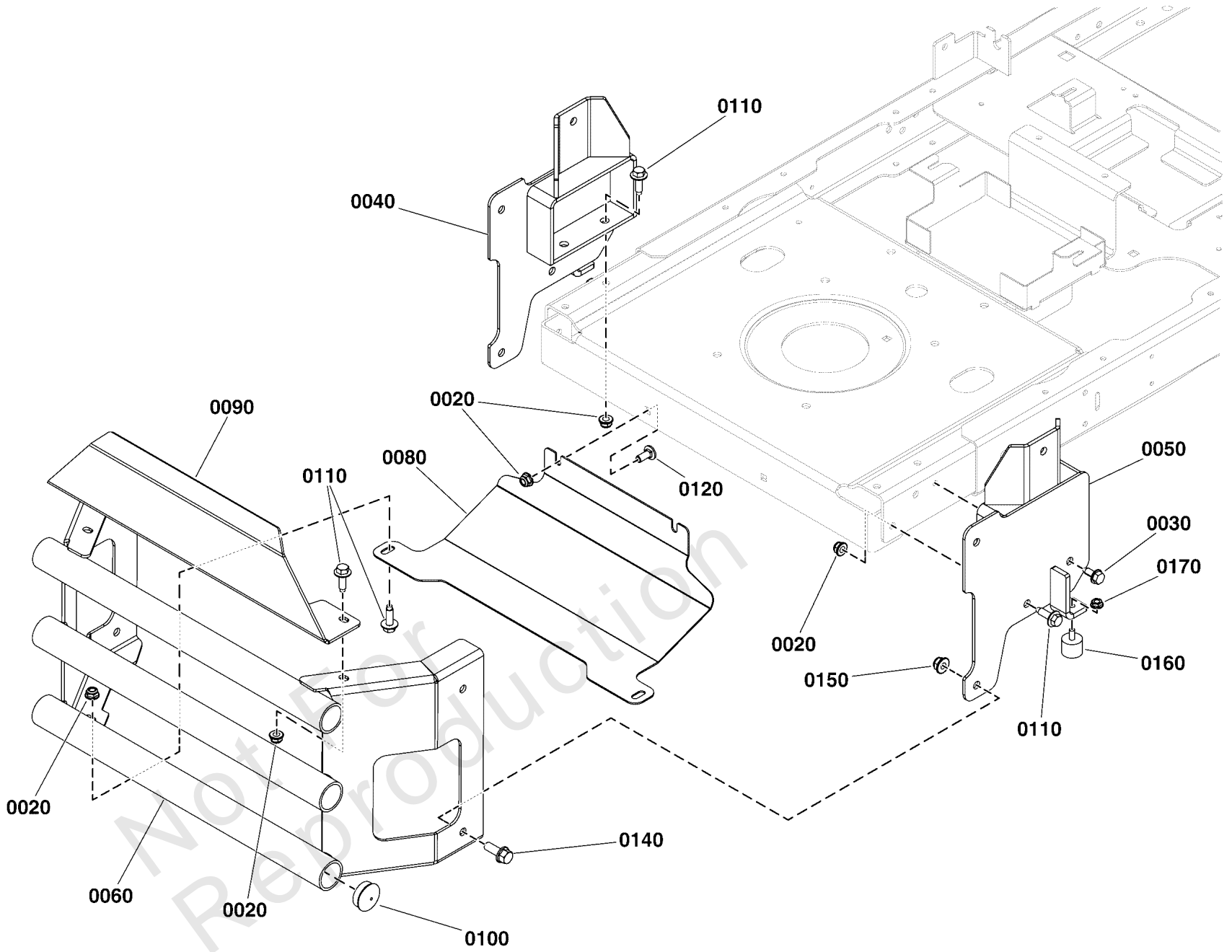
Parking Brake Group

REF NO	PART NO	QTY	DESCRIPTION
0010	1759207	1	CABLE, PARKING BRAKE
0020	-----	2	TIE, 7, Self Lock
0030	80004458	2	COTTER PIN, 3/8 SELF LOCKING, CLEAR/ZINC
0040	5025155	2	WASHER, 5/16" SAE
0050	1758127A	1	ARM, PARKING BRAKE (2800)(BLACK)
0070	1758283	2	SPRING, EXTENSION
0080	1759362	2	BRKT, BRAKE SPRING (2800)
0090	80003522	1	HHCS, 3/8-16 X 2.00, GR5, ZINC/CLEAR
0100	5025401	4	WASHER, 3/8" USS
0110	7301074	1	LEVER, Brake, Park
0120	7028036	1	SPRING, Friction Pack
0130	5025096	1	NUT, Hex, Nylon Locking, 3/8-16
0140	7091017	1	SCREW, #8-32 x 3/8" Curved Machine
0150	5105706	1	KNOB, BRAKE, BLACK, PLASTIC
0160	80004411	1	NUT #8-32 HEX ZINC/CLEAR
0170	7090999	2	SCREW, 1/4-20 x 5/8" Pan Head Self-Tap (Torx)
0180	1759968A	1	BRACKET, LEVER, PARK BRAKE-BLACK
0200	80018295	2	SCREW, TAPTITE, M6 X 1.0-12 LG
0210	7014779	2	CLEVIS PIN

Rear Bumper Group

Note: Unless noted otherwise, use the standard torque specifications

Mfg. No: 5901705



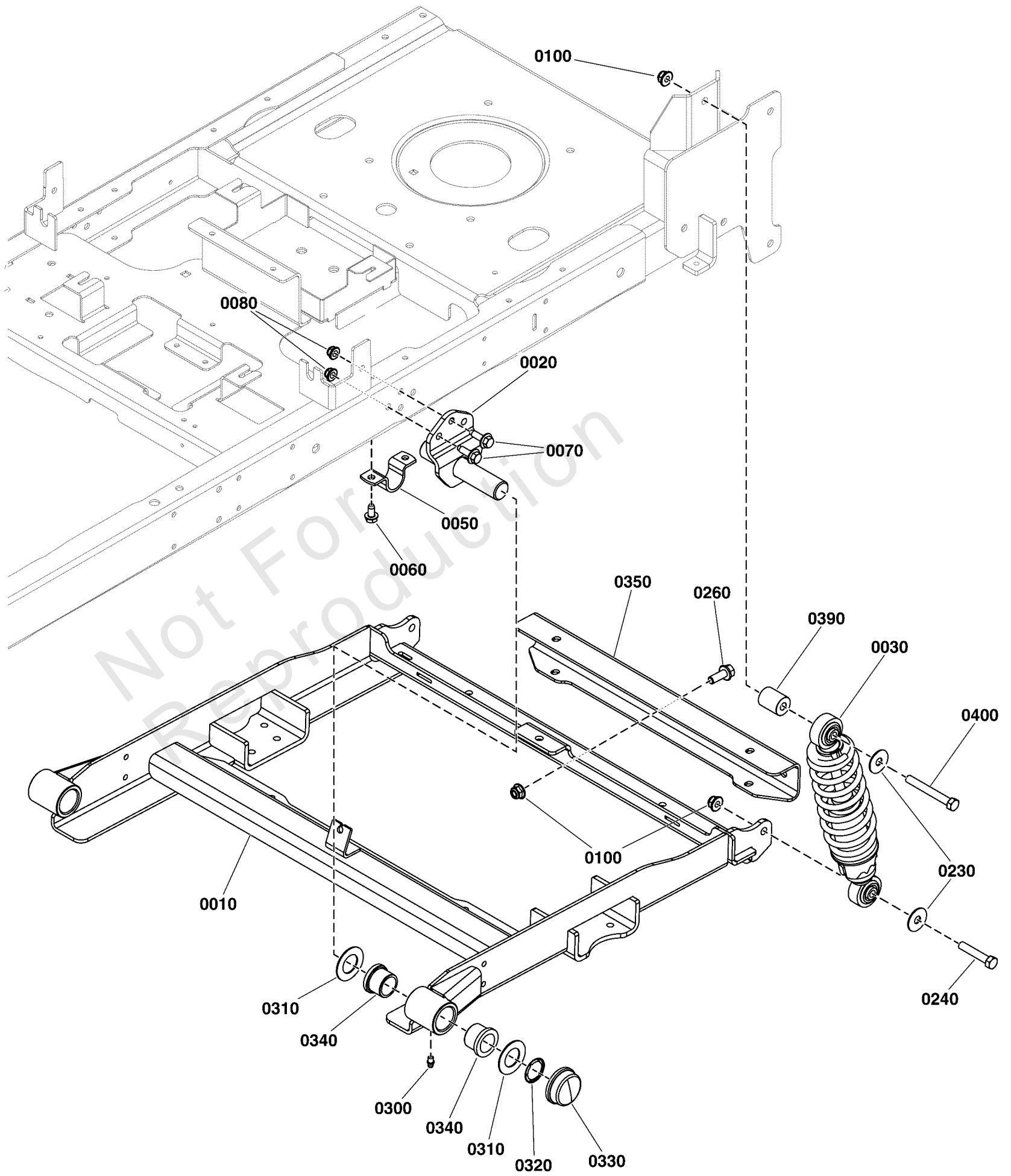
Rear Bumper Group

REF NO	PART NO	QTY	DESCRIPTION
0020	5025392	12	NUT, 5/16-18 HEX NYLOCK FLANGE NUT
0030	1664847CA	2	SCREW-HEX WSHR HD TAPTT5/16-18X0.750
0040	5416637B	1	WELD, REAR BUMPER MOUNT LH, FERRIS - RED
0050	5416636B	1	WELD, REAR BUMPER MOUNT RH, FERRIS - RED
0060	5416630B	1	WELD, SHORT REAR BUMPER, FR 3 TUBE - RED
0080	5416635B	1	PLATE, MUFFLER SHIELD - RED
0090	5416726B	1	PLATE, CARB GUARD - RED
0100	5023484	6	PLUG, PANEL, 1.25 - BLACK
0110	-----	10	BOLT,5/16-18X1.000,SRRTD FLANGE,GR5,ZC/C
0120	-----	2	RHSSNB,5/16-18 X 3/4 GR5 ZINC/CLEAR
0140	5025390X8	4	BOLT, Flange, 3/8-16 X 1
0150	5025394	4	NUT, 3/8 - 16 HEX NYLOCK FLANGE
0160	5022673	2	BUMPER, RUBBER, 1/4-20
0170	5025126	2	NUT, Hex, Serrated Flange, 1/4-20

Rear Suspension Group

Note: Unless noted otherwise, use the standard torque specifications

Mfg. No: 5901705



Rear Suspension Group

REF NO	PART NO	QTY	DESCRIPTION
0010	5416568B	1	WELD, REAR SUS. CRADLE, FHOZ - RED
0020	1758716B	2	WELDMENT, REAR SWING ARM PIVOT - RED
0030	5103624	2	SHOCK ABSORBER, IS600
0050	1720147	2	STRAP 1.00 DIA. SHAFT
0060	80005404	4	SCREW,5/16-18X0.625,WSHR,THD-ROLL,ZC/CL
0070	80020384	4	SCREW-HEX WZ LOCK FLNG 5/16-18 X1.00 DOG
0080	5025392	4	NUT, 5/16-18 HEX NYLOCK FLANGE NUT
0100	5025394	7	NUT, 3/8 - 16 HEX NYLOCK FLANGE
0230	5025165	4	WASHER, 3/8" Fender
0240	80003522	2	HHCS, 3/8-16 X 2.00, GR5, ZINC/CLEAR
0260	5025390X8	3	BOLT, Flange, 3/8-16 X 1
0300	1704314	2	LUBE FITTING, 1/4 Drive , Check Ball
0310	80004282	4	WASHER,1.017IDX1.812ODX0.6THK,FLAT,ZC/CL
0320	80004283	2	PUSH NUT, FLAT 1.00 SHAFT, PHOS/OIL
0330	721318	2	CAP, Hub
0340	1758717	4	BUSHING, FLANGE, 1.00 X 1.00 LG, PLASTIC
0350	1759163B	1	BRKT, REAR TRANS SUPPORT - RED
0390	5103427	2	SPACER, .39 X 1.00 X 1.25, PM, CZ
0400	5025013X24	2	BOLT, 3/8-16 X 3" GD5 CZ

Seat Mount & Floor Group S/N: 400034138 & Below

Note: Unless noted otherwise, use the standard torque specifications

Mfg. No: 5901705

Seat Service Parts:

0200-10 - 4" Track Assembly w/ Hardware

0200-20 - Back Assembly

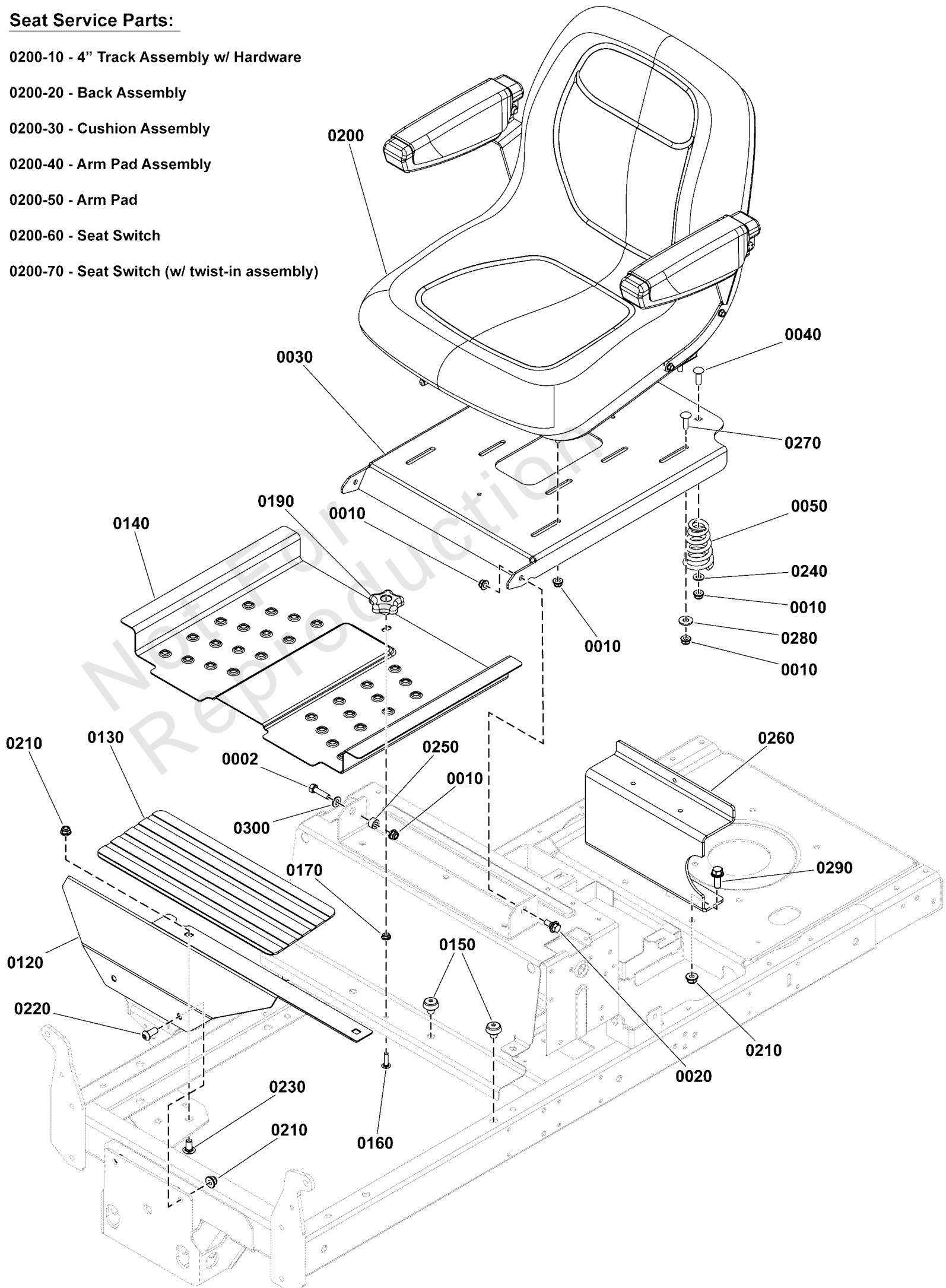
0200-30 - Cushion Assembly

0200-40 - Arm Pad Assembly

0200-50 - Arm Pad

0200-60 - Seat Switch

0200-70 - Seat Switch (w/ twist-in assembly)



Seat Mount & Floor Group S/N: 400034138 & Below

REF NO	PART NO	QTY	DESCRIPTION
0002	5025011X8	2	BOLT, 5/16-18 X 1" GRD5 YZ
0010	5025392	11	NUT, 5/16-18 HEX NYLOCK FLANGE NUT
0020	1752802	2	BOLT, Shoulder, 5/16-18 x 1
0030	1760194B	1	SLIDE, SEAT (FER RED)
0040	5025145X8	2	BOLT, 5/16-18 X 1, CARRIAGE, GD5, CZ
0050	5108276	2	SPRING, SEAT, BLACK E-COAT
0120	1759278B	1	FOOTREST,PIVOTING AXLE (NO EXT)(FER RED)
0130	5101374	1	SAFETY WALK, FLOOR REST, 16.00 X 6.00
0140	5601076	1	FOOT PAN W/DECAL (1757813B)
0150	197546	6	MNT, VBRTN, RBBR
0160	7090496	1	BOLT, 1/4-20 x 1" Grade 2 Short Neck Carriage
0170	5025126	1	NUT, Hex, Serrated Flange, 1/4-20
0190	80008144	1	KNOB, HNDL, 5 PRONG
0200	5105039	1	SEAT, 907 WITH ARM RESTS W/ SWITCH
0200-10	5104741X1	1	4" SL TRACK SET - 9" FLAT - W/HDWR
0200-20	5104741X3	1	BACK ASSEMBLY FOR 907
0200-30	5104741X4	1	CUSHION ASSEMBLY FOR 907
0200-40	5104681X3	1	LEFT AND RIGHT HAND ARM ASSEMBLIES, CI3 SEAT
0200-50	5104681X4	1	ARM PAD, C13 SEAT
0200-60	7023354	1	SWITCH, SEAT
0200-70	5100541	1	SWITCH, NC, W/ TWIST-IN BASE
0210	5025394	6	NUT, 3/8 - 16 HEX NYLOCK FLANGE
0220	80087701	2	SCREW, 3/8-16 X .88 PAN HD TORX
0230	80003585	2	BOLT,3/8-16X.75,GR5,CARRIAGE,ZC/CL
0240	5025155	2	WASHER, 5/16" SAE
0250	5103767	2	SPACER, .33 X .63 X .36, PM, CZ
0260	5416725A	1	PLATE, SEAT SUPPORT - BLK
0270	80004565	1	BOLT,5/16-18X1.000,SHORT NECK CRRG,ZC/CL -(To limit seat travel)
0280	5025337	1	WASHER, 5/16" USS
0290	5025390X8	2	BOLT, Flange, 3/8-16 X 1
0300	-----	2	WSHR,.406X.875X.083FLT,TYPE A,ZINC/CLEAR

Seat Mount & Floor Group S/N: 400034139 to 4000875836

Note: Unless noted otherwise, use the standard torque specifications

Mfg. No: 5901705

Seat Service Parts:

0200-10 - 4" Track Assembly w/ Hardware

0200-20 - Back Assembly

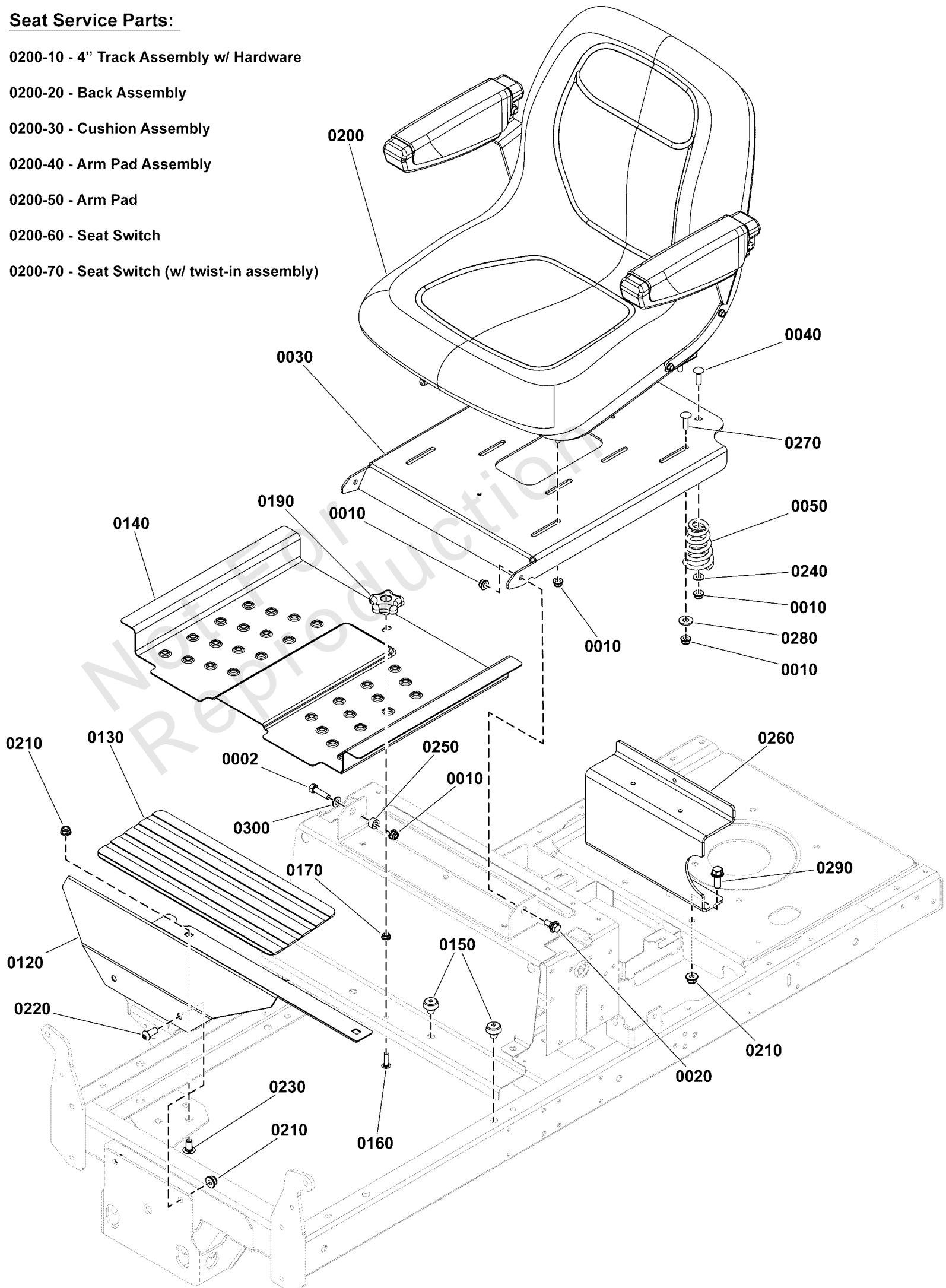
0200-30 - Cushion Assembly

0200-40 - Arm Pad Assembly

0200-50 - Arm Pad

0200-60 - Seat Switch

0200-70 - Seat Switch (w/ twist-in assembly)



Seat Mount & Floor Group S/N: 400034139 to 4000875836

REF NO	PART NO	QTY	DESCRIPTION
0002	5025011X8	2	BOLT, 5/16-18 X 1" GRD5 YZ
0010	5025392	11	NUT, 5/16-18 HEX NYLOCK FLANGE NUT
0020	1752802	2	BOLT, Shoulder, 5/16-18 x 1
0030	1760194B	1	SLIDE, SEAT (FER RED)
0040	5025145X8	2	BOLT, 5/16-18 X 1, CARRIAGE, GD5, CZ
0050	5108276	2	SPRING, SEAT, BLACK E-COAT
0120	1759278B	1	FOOTREST,PIVOTING AXLE (NO EXT)(FER RED)
0130	5101374	1	SAFETY WALK, FLOOR REST, 16.00 X 6.00
0140	5601197	1	FOOT PAN W/DECAL, 2019 (1757813B)
0150	197546	6	MNT, VBRTN, RBBR
0160	7090496	1	BOLT, 1/4-20 x 1" Grade 2 Short Neck Carriage
0170	5025126	1	NUT, Hex, Serrated Flange, 1/4-20
0190	80008144	1	KNOB, HNDL, 5 PRONG
0200	5106754	1	SEAT, 907, W/ARM REST, W/SWITCH, NO BEAD
0200-10	5104741X1	1	4" SL TRACK SET - 9" FLAT - W/HDWR
0200-20	5106754X1	1	SEAT BACK ASSEMBLY, 186693VN1328
0200-30	5106754X2	1	SEAT CUSHION ASSEMBLY, 186694VN1328
0200-40	5104681X3	1	LEFT AND RIGHT HAND ARM ASSEMBLIES, CI3 SEAT
0200-50	5104681X4	1	ARM PAD, C13 SEAT
0200-60	7023354	1	SWITCH, SEAT
0200-70	5100541	1	SWITCH, NC, W/ TWIST-IN BASE
0210	5025394	6	NUT, 3/8 - 16 HEX NYLOCK FLANGE
0220	80087701	2	SCREW, 3/8-16 X .88 PAN HD TORX
0230	80003585	2	BOLT,3/8-16X.75,GR5,CARRIAGE,ZC/CL
0240	5025155	2	WASHER, 5/16" SAE
0250	5103767	2	SPACER, .33 X .63 X .36, PM, CZ
0260	5416725A	1	PLATE, SEAT SUPPORT - BLK
0270	80004565	1	BOLT,5/16-18X1.000,SHORT NECK CRRG,ZC/CL -(To limit seat travel)
0280	5025337	1	WASHER, 5/16" USS
0290	5025390X8	2	BOLT, Flange, 3/8-16 X 1
0300	-----	2	WSHR,.406X.875X.083FLT,TYPE A,ZINC/CLEAR

Seat Mount & Floor Group S/N: 4000875837 and Above

Note: Unless noted otherwise, use the standard torque specifications

Mfg. No: 5901705

Seat Service Parts:

0200-10 - 4" Track Assembly w/ Hardware

0200-20 - Back Assembly

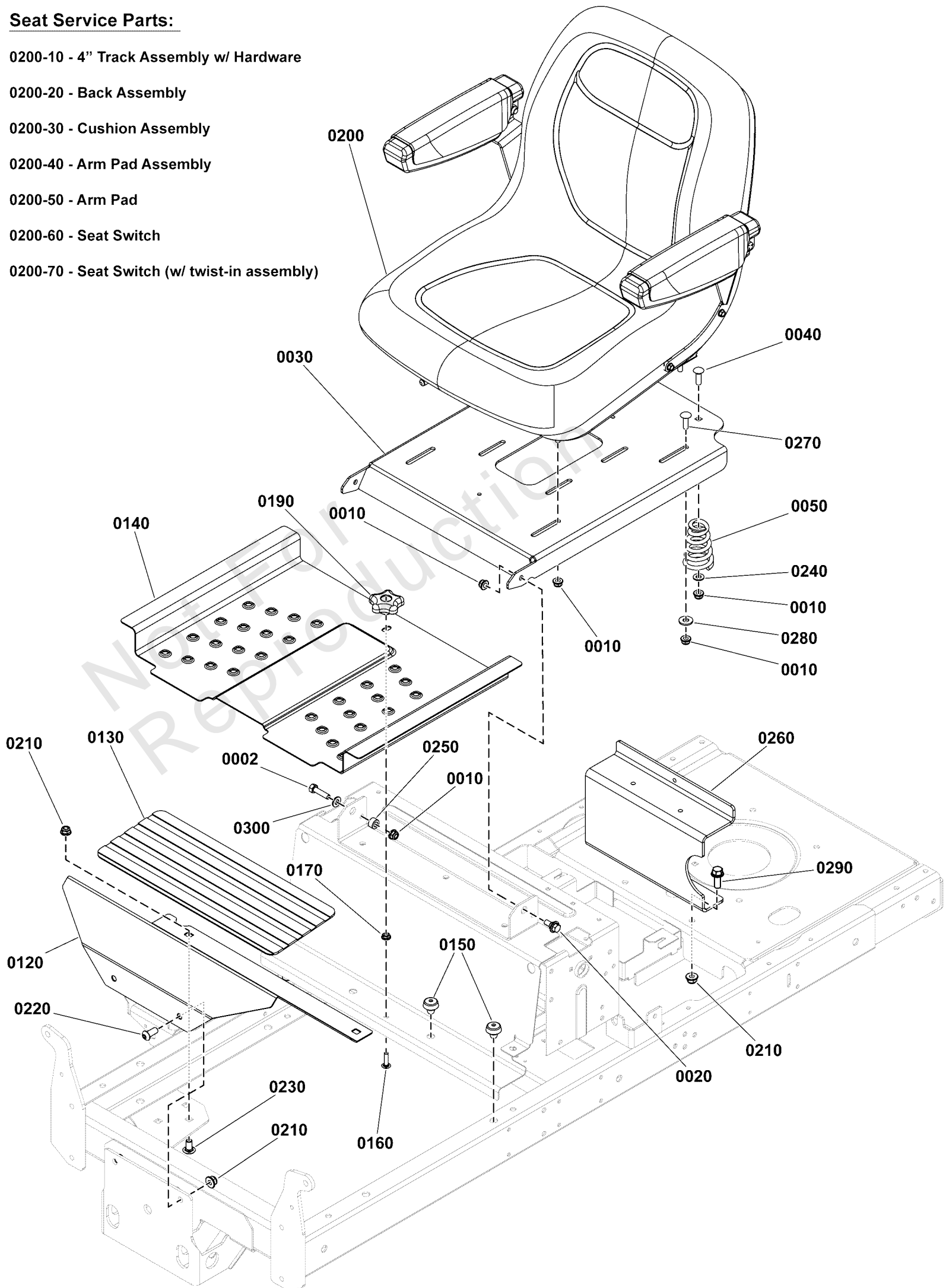
0200-30 - Cushion Assembly

0200-40 - Arm Pad Assembly

0200-50 - Arm Pad

0200-60 - Seat Switch

0200-70 - Seat Switch (w/ twist-in assembly)



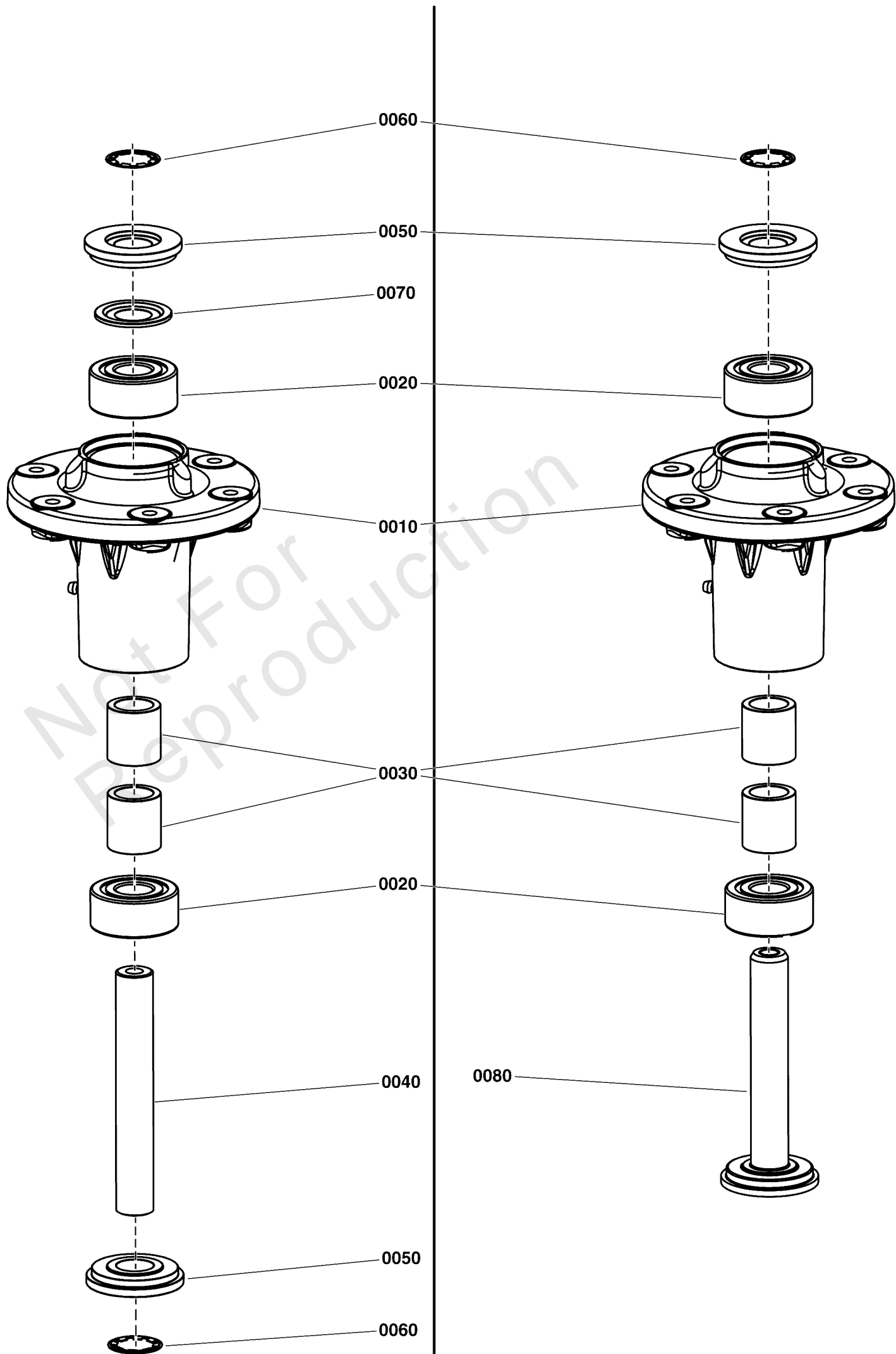
Seat Mount & Floor Group S/N: 4000875837 and Above

REF NO	PART NO	QTY	DESCRIPTION
0002	5025011X8	2	BOLT, 5/16-18 X 1" GRD5 YZ
0010	5025392	11	NUT, 5/16-18 HEX NYLOCK FLANGE NUT
0020	1752802	2	BOLT, Shoulder, 5/16-18 x 1
0030	1760194B	1	SLIDE, SEAT (FER RED)
0040	5025145X8	2	BOLT, 5/16-18 X 1, CARRIAGE, GD5, CZ
0050	5108276	2	SPRING, SEAT, BLACK E-COAT
0120	1759278B	1	FOOTREST,PIVOTING AXLE (NO EXT)(FER RED)
0130	5101374	1	SAFETY WALK, FLOOR REST, 16.00 X 6.00
0140	5601197	1	FOOT PAN W/DECAL, 2019 (1757813B)
0150	197546	6	MNT, VBRTN, RBBR
0160	7090496	1	BOLT, 1/4-20 x 1" Grade 2 Short Neck Carriage
0170	5025126	1	NUT, Hex, Serrated Flange, 1/4-20
0190	80008144	1	KNOB, HNDL, 5 PRONG
0200	5108190	1	SEAT, 907, W/ARM REST & SWITCH, NO BEAD
0200-10	5104741X1	1	4" SL TRACK SET - 9" FLAT - W/HDWR
0200-20	5108190X3	1	BACK ASSEMBLY
0200-30	5108190X4	1	CUSHION ASSEMBLY
0200-40	5108190X2	1	ARM BRACKET W/PAD & HARDWARE
0200-50	5108190X1	1	ARM PAD ASSEMBLY
0200-60	7023354	1	SWITCH, SEAT
0200-70	5100541	1	SWITCH, NC, W/ TWIST-IN BASE
0210	5025394	6	NUT, 3/8 - 16 HEX NYLOCK FLANGE
0220	80087701	2	SCREW, 3/8-16 X .88 PAN HD TORX
0230	80003585	2	BOLT,3/8-16X.75,GR5,CARRIAGE,ZC/CL
0240	5025155	2	WASHER, 5/16" SAE
0250	5103767	2	SPACER, .33 X .63 X .36, PM, CZ
0260	5416725A	1	PLATE, SEAT SUPPORT - BLK
0270	80004565	1	BOLT,5/16-18X1.000,SHORT NECK CRRG,ZC/CL -(To limit seat travel)
0280	5025337	1	WASHER, 5/16" USS
0290	5025390X8	2	BOLT, Flange, 3/8-16 X 1
0300	-----	2	WSHR,.406X.875X.083FLT,TYPE A,ZINC/CLEAR

Spindle SERVICE Parts

Note: Unless noted otherwise, use the standard torque specifications

Mfg. No: 5901705



Spindle SERVICE Parts

REF NO	PART NO	QTY	DESCRIPTION
0010	1761445	1	HOUSING, SPINDLE - CAST ALUM W/ ZERK
0020	5105576	2	BEARING 5204-2RS, DOUBLE ROW
0030	5105533	2	SPACER, .81 X 1.13 X 1.18, PM
0040	-----	1	SHAFT, Spindle 20MM Dia. 134.60 MM Long -(See Footnote)
0050	1735323	1	SHIELD-ARBOR, 2.050OD 46" MWR -(Qty: 2 - S/N: 2018021286 & Below)
0060	1960766	1	RING, Self-Locking, 46" Mower -(Qty: 2 - S/N: 2018021286 & Below)
0070	7106224	1	BEARING, Seal -(S/N: 2018021286 & Below)
0080	1760276	1	SHAFT, MOWER SPINDLE-.787 BLADE PILOT -(S/N: 2018021287 & Above)

Not For
Reproduction

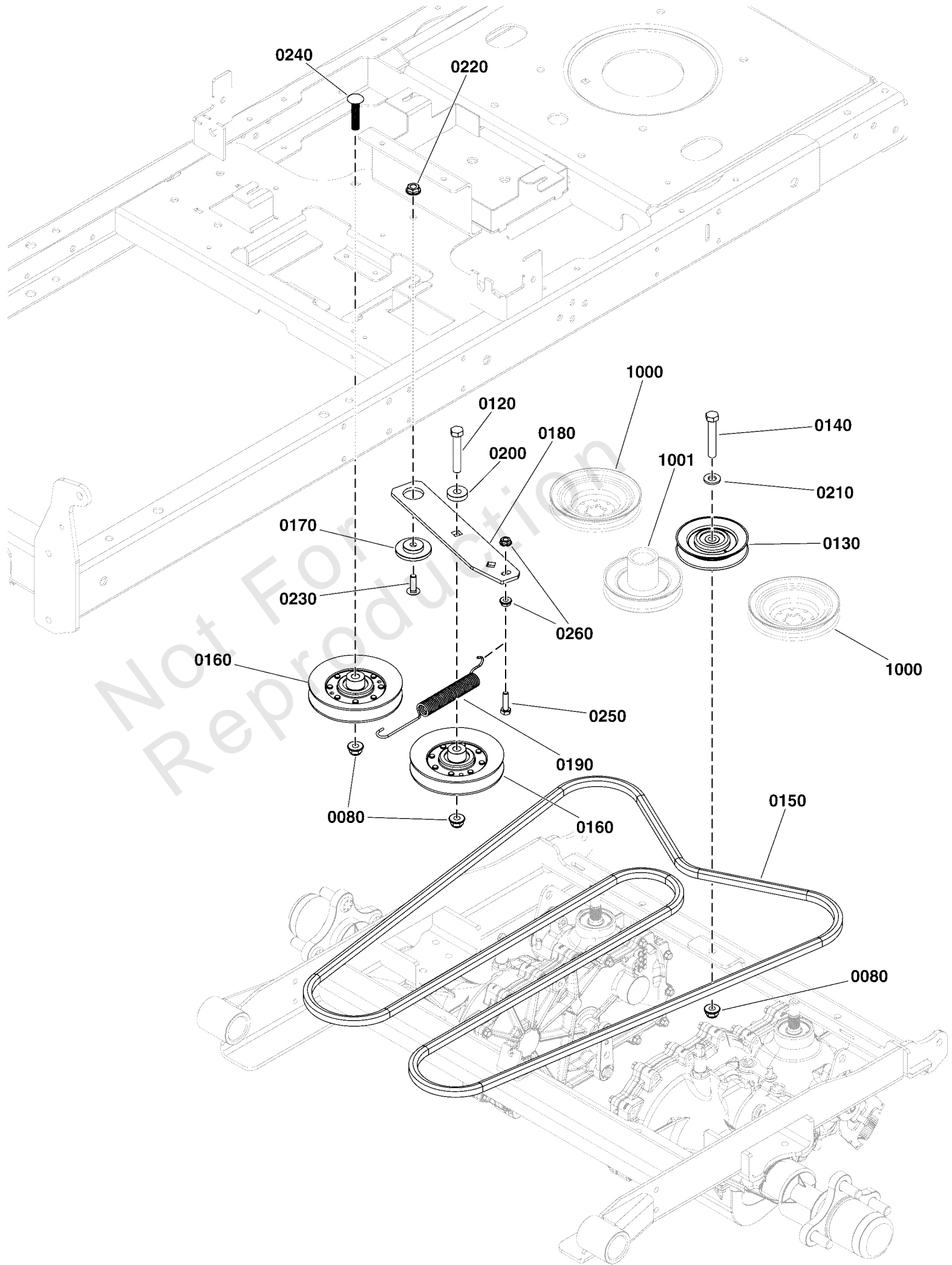
Footnotes:

* If replacing this shaft use parts from higher serial number range.

Transaxle Drive Group S/N: 2017940000 & Below

Note: Unless noted otherwise, use the standard torque specifications

Mfg. No: 5901705



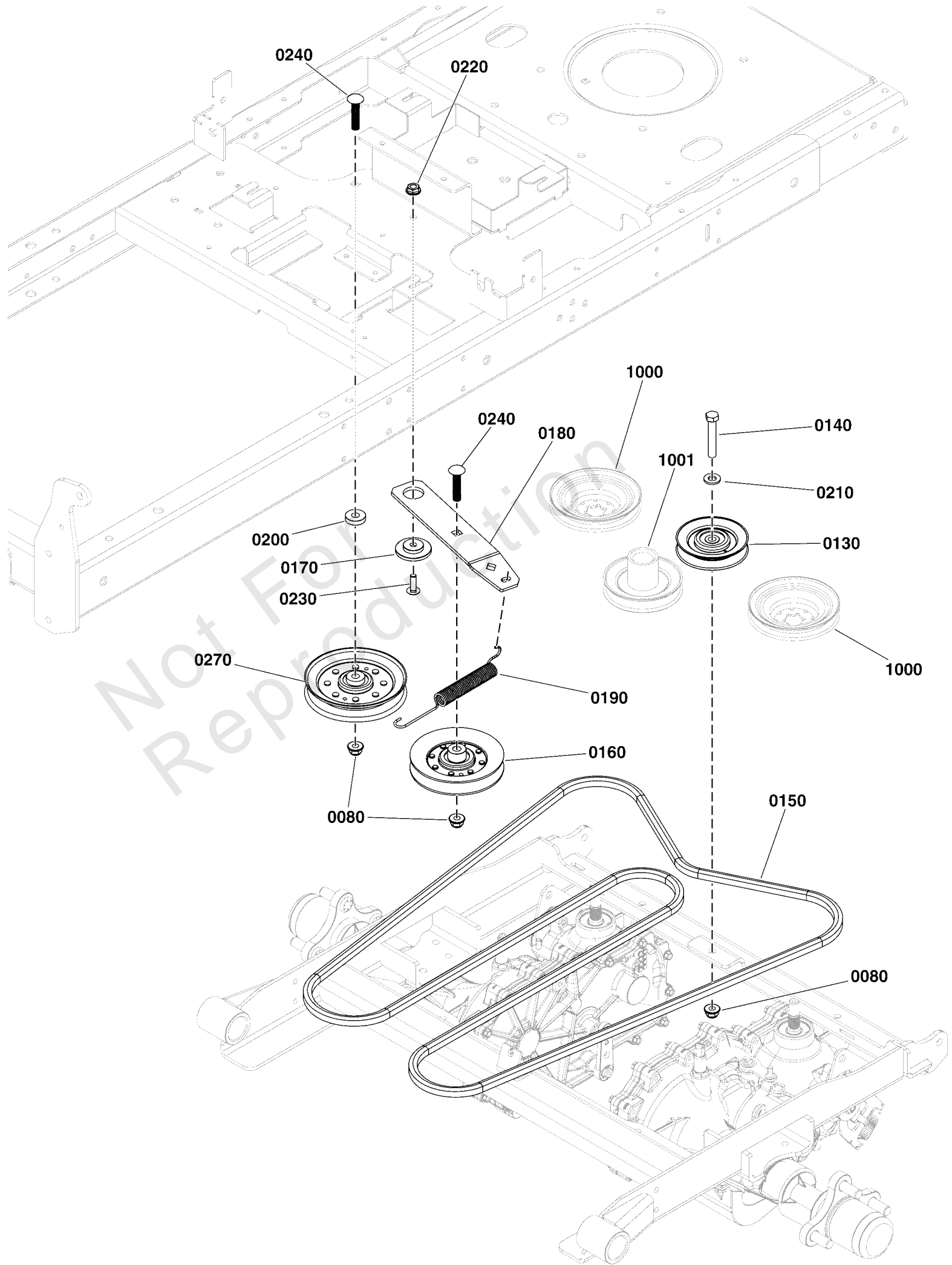
Transaxle Drive Group S/N: 2017940000 & Below

REF NO	PART NO	QTY	DESCRIPTION
0080	5025394	3	NUT, 3/8 - 16 HEX NYLOCK FLANGE
0120	5025013X20	1	BOLT, 3/8-16 X 2-1/2" GD5 CZ
0130	885482	1	PULLEY, Deck Idler
0140	80004843	1	HHCS 3/8-16 X 2.250 GR 5 ZINC/CLEAR
0150	885714	1	BELT, 112.48" EL, HAA Section
0160	1759212	2	PULLEY, V-IDLER, 4.50"
0170	1727935	1	SPACER, Pivot 0.330ID 1.76OD .37TH Powdered Metal
0180	1758744A	1	ARM, TRANSMISSION IDLER (BLACK)
0190	1758045	1	SPRING, EXTENSION
0200	5044960	1	SPACER, .39 X 1.00 X .25, PM, CZ
0210	5025293	1	WASHER, 3/8" GR. 9 FLAT
0220	5025392	1	NUT, 5/16-18 HEX NYLOCK FLANGE NUT
0230	80005404	1	SCREW,5/16-18X0.625,WSHR,THD-ROLL,ZC/CL
0240	80004559	1	BOLT,3/8-16X1.750,SHORT NECK CRRG,ZC/CL
0250	5025010X10	1	BOLT, 1/4-20 X 1-1/4 GD5 CZ
0260	5025126	2	NUT, Hex, Serrated Flange, 1/4-20
1000	-----	1	Refer to: Hydraulic Group
1001	-----	1	Refer to: Engine & PTO Group

Transaxle Drive Group S/N: 2017940001 & Above

Note: Unless noted otherwise, use the standard torque specifications

Mfg. No: 5901705



Transaxle Drive Group S/N: 2017940001 & Above

REF NO	PART NO	QTY	DESCRIPTION
0080	5025394	3	NUT, 3/8 - 16 HEX NYLOCK FLANGE
0130	885482	1	PULLEY, Deck Idler
0140	80004843	1	HHCS 3/8-16 X 2.250 GR 5 ZINC/CLEAR
0150	885714	1	BELT, 112.48" EL, HAA Section
0160	1759212	1	PULLEY, V-IDLER, 4.50"
0170	1727935	1	SPACER, Pivot 0.330ID 1.76OD .37TH Powdered Metal
0180	1761878A	1	ARM, TRANSMISSION DRIVE IDLER (BLACK)
0190	1758045	1	SPRING, EXTENSION
0200	5044960	1	SPACER, .39 X 1.00 X .25, PM, CZ
0210	5025293	1	WASHER, 3/8" GR. 9 FLAT
0220	5025392	1	NUT, 5/16-18 HEX NYLOCK FLANGE NUT
0230	80020384	1	SCREW-HEX WZ LOCK FLNG 5/16-18 X1.00 DOG
0240	80004559	2	BOLT,3/8-16X1.750,SHORT NECK CRRG,ZC/CL
0270	5103456	1	PULLEY-IDLER-V, 4.85OB, .38ID
1000	-----	1	Refer to: Hydraulic Group
1001	-----	1	Refer to: Engine & PTO Group

Not For Reproduction

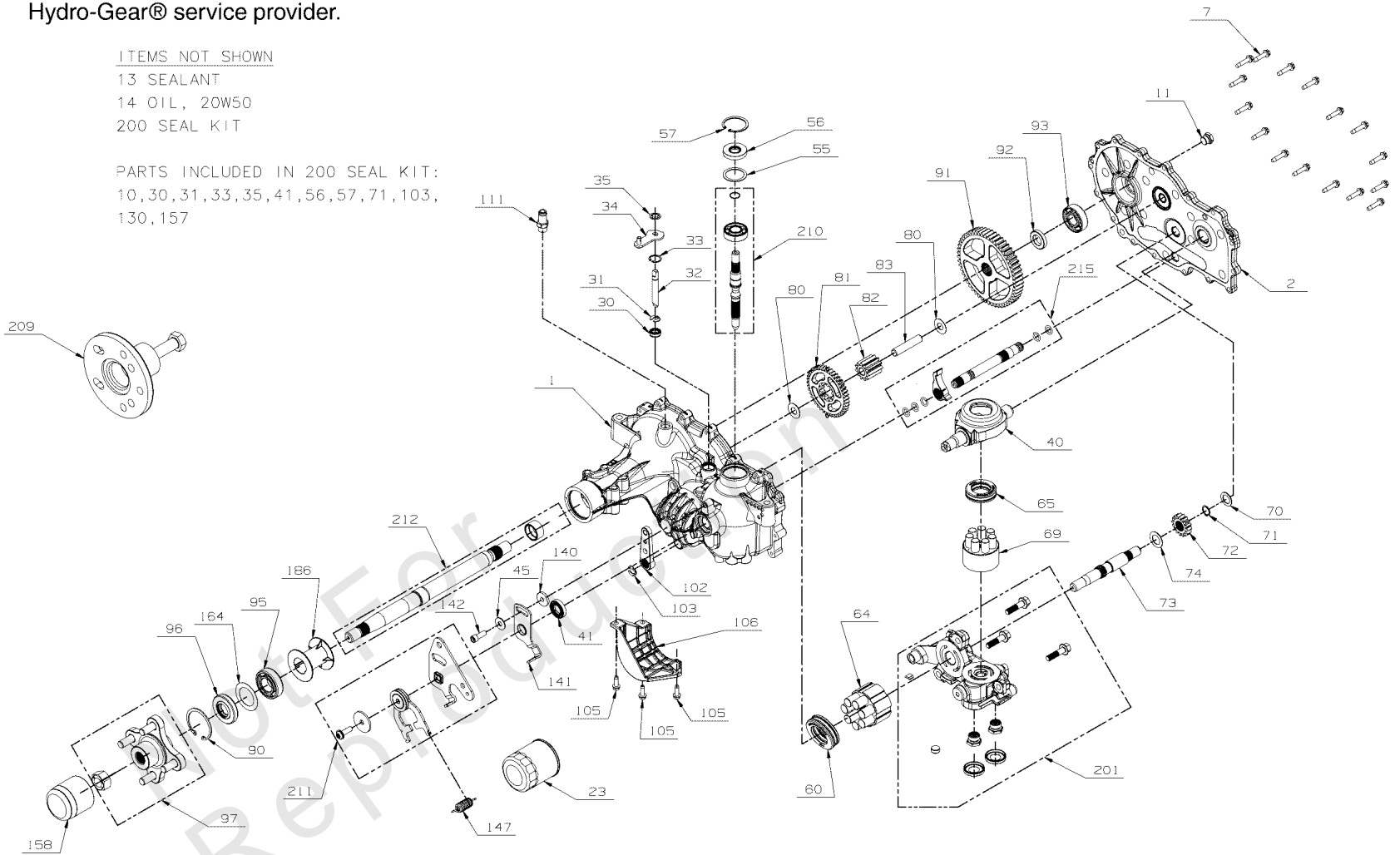
Service Parts Schematic for Hydro-Gear® Transaxles: ZH-JPBB-3F7B-2XLX (1759446) ZH-MPBB-3F7C-3XLX (1759445)

For components not listed see your authorized Hydro-Gear® service provider.

ITEMS NOT SHOWN

- 13 SEALANT
- 14 OIL, 20W50
- 200 SEAL KIT

- PARTS INCLUDED IN 200 SEAL KIT:
10, 30, 31, 33, 35, 41, 56, 57, 71, 103,
130, 157



Transaxle SERVICE Parts - Hydro-Gear ZT2800

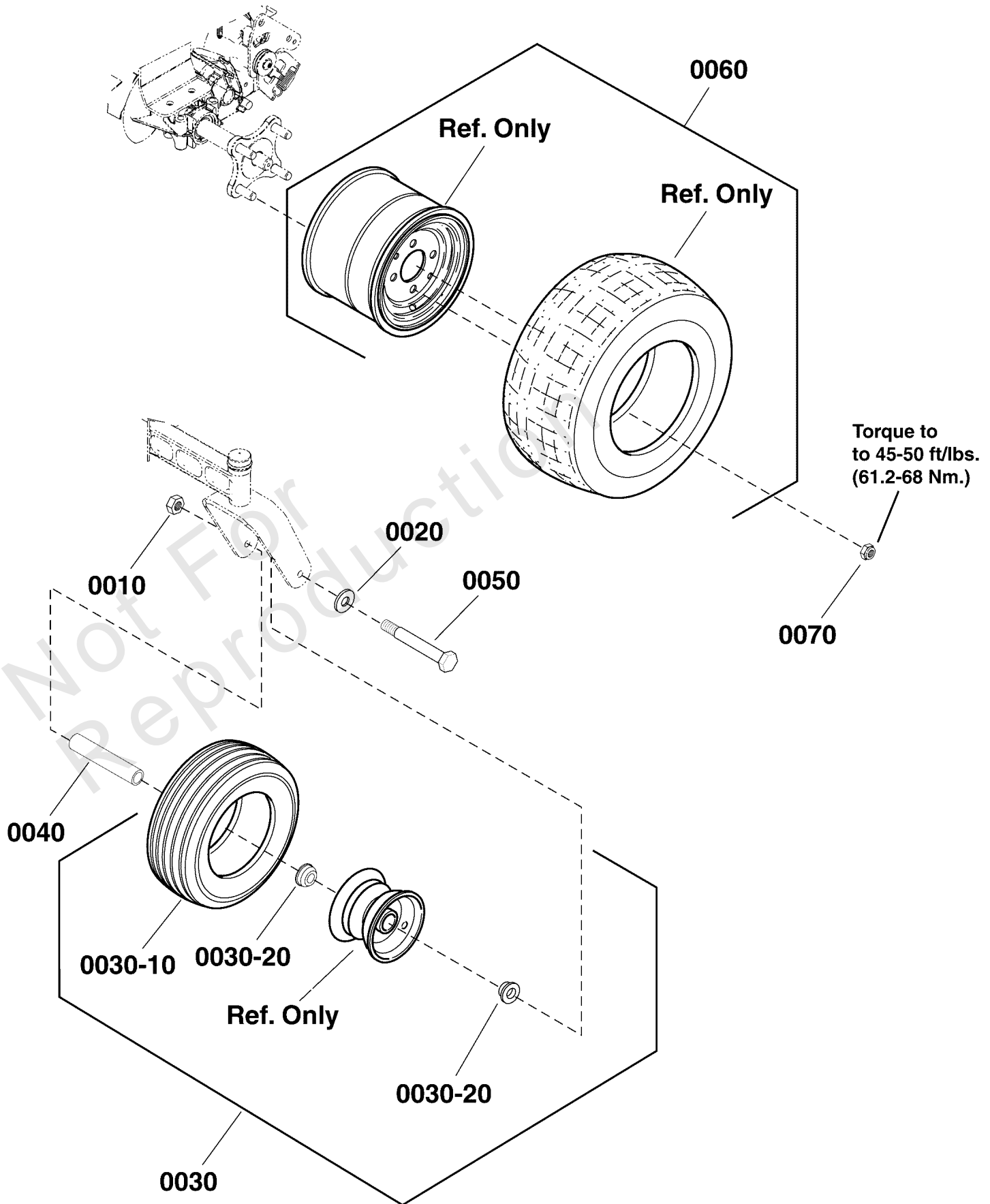
REF NO	PART NO	QTY	DESCRIPTION
23	5101026X1	1	FILTER, OIL,
56	5022905X16	1	SEAL, Lip, .67 x 1.58 x .276
57	5101026X4	1	RING, RET 2.06 INT,
90	5101026X17	1	RING, RETAINING 2.25 INTERNAL (50859)
93	5101026X18	1	KIT, BEARING (72749)
96	5101026X16	1	SEAL, LIP, AXLE, #53699
97	5101026X10	1	HUB TRANSMISSION S50X
102	5103750	1	BRAKE ARM, ZT-3400
103	5104055	1	E-CLIP, BRAKE ARM, ZT3100 & ZT3400
147	5101026X19	1	SPRING, EXTENSION (52401)
186	5103589X9	1	DEBRIS GUARD HG #53496
200	5101026X8	1	KIT SEAL

Not For Reproduction

Wheel & Tire Group S/N: 4000771923 and Below

Note: Unless noted otherwise, use the standard torque specifications

Mfg. No: 5901705



Wheel & Tire Group S/N: 4000771923 and Below

REF NO	PART NO	QTY	DESCRIPTION
0010	1930650	2	NUT-HEX FLANGE 7/16-14 TWO WAY LK GA BLK
0020	80004028	2	WSHR,7/16 ID X .065 THK, FLAT,ZINC/CLEAR
0030	1734013	2	ASSEMBLY, Front Wheel & Tire ZTS, 11 x 4.00-5 (Not Shown - Bushings #1739281)
0030-10	5022433X1	2	TIRE, FRONT, 11 X 4.0 - 5 (SV)
0030-20	1759320	4	BUSHING, 5/8 ID (LOGO)
0040	1734841	2	TUBE, Caster Wheel, 0.625 OD 4.53 OLG 0.625 OD
0050	7091772	2	SCREW, 7/16-14 x 6" Hex Head Cap, Grade 5
0060	1758079	2	WHEEL AND TIRE ASSY, 20X10-10 (K513)
0070	5020601	8	NUT, 1/2-20, FOR WHEEL BOLT SILVER

Not For
Reproduction

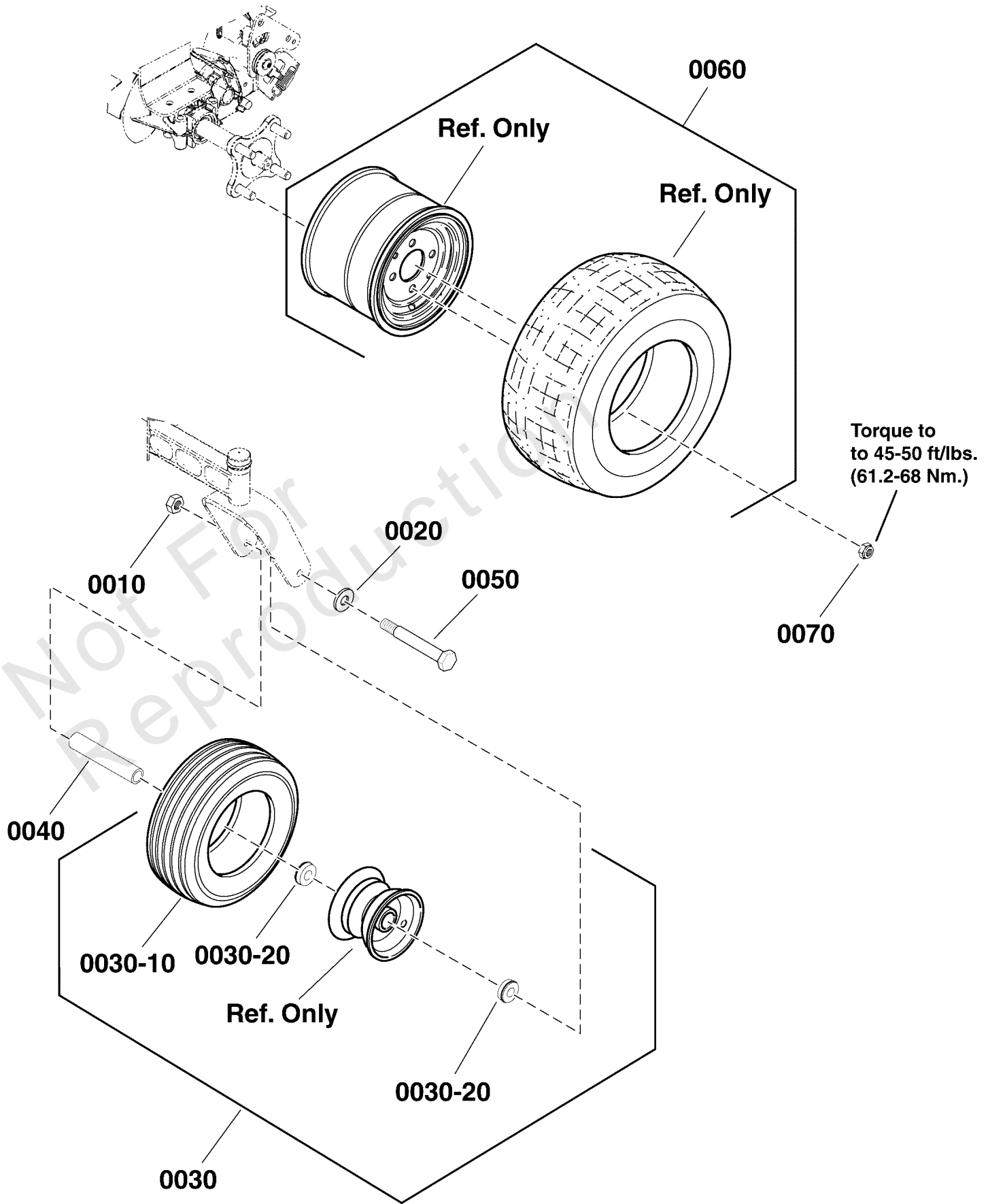
Footnotes:

(Torque tire lug nut to 60-75 ft-lbs (81-102 Nm))

Wheel & Tire Group S/N: 4000771924 and Above

Note: Unless noted otherwise, use the standard torque specifications

Mfg. No: 5901705



Wheel & Tire Group S/N: 4000771924 and Above

REF NO	PART NO	QTY	DESCRIPTION
0010	1930650	2	NUT-HEX FLANGE 7/16-14 TWO WAY LK GA BLK
0020	80004028	2	WSHR,7/16 ID X .065 THK, FLAT,ZINC/CLEAR
0030	80080749	2	WHEEL & TIRE ASSY, 11X6-5
0030-10	80080750	2	TIRE, 11X6-5
0030-20	80082605	4	BEARING, BALL, 5/8" ID, FLANGE -(2 per tire)
0040	80081657	2	TUBE, CASTER WHEEL
0050	80082007	2	HHCS, 7/16-14X7.0 GRADE 5
0060	1758079	2	WHEEL AND TIRE ASSY, 20X10-10 (K513)
0070	5020601	8	NUT, 1/2-20, FOR WHEEL BOLT SILVER -(Torque tire lug nut to 60-75 ft-lbs (81-102 Nm))

Not For Reproduction

Hardware Identification & Torque Specifications

Torque Specification Chart								
FOR STANDARD METRIC MACHINE HARDWARE (Tolerance ± 20%)								
Property Class	5.6		8.8		10.9		12.9	
	Class 5.6		Class 8.8		Class 10.9		Class 12.9	
Size Of Hardware	in/lbs	Nm.	in/lbs	Nm.	in/lbs	Nm.	in/lbs	Nm.
	ft/lbs		ft/lbs		ft/lbs		ft/lbs	
M3	5.88	.56	13.44	1.28	19.2	1.80	22.92	2.15
M4	13.44	1.28	30.72	2.90	43.44	4.10	52.56	4.95
M5	26.4	2.50	60.96	5.75	5.97	8.10	7.15	9.7
M6	44.64	4.3	7.3	9.9	10.3	14	12.1	16.5
M7	5.2	7.1	12.1	16.5	16.9	23	19.9	27
M8	7.7	10.5	17.7	24	25	34	29	40
M10	15	21	35	48	50	67	59	81
M12	26	36	61	83	86.2	117	103	140
M14	42	58	101	132	136	185	162	220
M16	64	88	147	200	210	285	250	340
M18	89	121	202	275	287	390	346	470
M20	126	171	290	390	405	550	486	660
M22	169	230	390	530	559	745	656	890
M24	217	295	497	375	708	960	840	1140
M27	320	435	733	995	1032	1400	1239	1680
M30	435	590	995	1350	1401	1900	1681	2280
M33	590	800	1349	1830	1902	2580	2278	3090
M36	759	1030	1740	2360	2441	3310	2935	3980
M39	988	1340	2249	3050	3163	4290	3798	5150

Torque Specification Chart						
FOR STANDARD MACHINE HARDWARE (Tolerance ± 20%)						
Hardware Grade	No Marks					
	SAE Grade 2		SAE Grade 5		SAE Grade 8	
Size Of Hardware	in/lbs	Nm.	in/lbs	Nm.	in/lbs	Nm.
	ft/lbs		ft/lbs		ft/lbs	
8-32	19	2.1	30	3.4	41	4.6
8-36	20	2.3	31	3.5	43	4.9
10-24	27	3.1	43	4.9	60	6.8
10-32	31	3.5	49	5.5	68	7.7
1/4-20	66	7.6	8	10.9	12	16.3
1/4-28	76	8.6	10	13.6	14	19.0
5/16-18	11	15.0	17	23.1	25	34.0
5/16-24	12	16.3	19	25.8	29	34.0
3/8-16	20	27.2	30	40.8	45	61.2
3/8-24	23	31.3	35	47.6	50	68.0
7/16-14	30	40.8	50	68.0	70	95.2
7/16-20	35	47.6	55	74.8	80	108.8
1/2-13	50	68.0	75	102.0	110	149.6
1/2-20	55	74.8	90	122.4	120	163.2
9/16-12	65	88.4	110	149.6	150	204.0
9/16-18	75	102.0	120	163.2	170	231.2
5/8-11	90	122.4	150	204.0	220	299.2
5/8-18	100	136	180	244.8	240	326.4
3/4-10	160	217.6	260	353.6	386	525.0
3/4-16	180	244.8	300	408.0	420	571.2
7/8-9	140	190.4	400	544.0	600	816.0
7/8-14	155	210.8	440	598.4	660	897.6
1-8	220	299.2	580	788.8	900	1,244.0
1-12	240	326.4	640	870.4	1,000	1,360.0

The guides and ruler furnished below are designed to help you select the appropriate hardware.

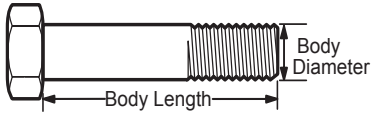


Nut, M8

Thread Diameter (mm)

Inside Diameter (in) Threads per inch

Nut, 1/2-16

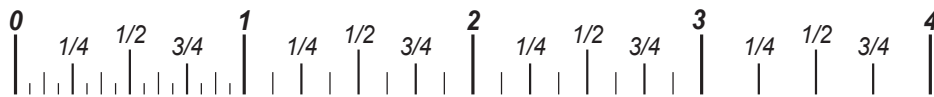


Screw, M8- 1.25 x 25

Thread Diameter (mm) Distance between threads (mm) Body Length (mm)

Body Diameter Threads per inch Body Length (in)

Screw, 1/2- 16 x 2



Standard Hardware Sizing

When a washer or nut is identified as 1/2" (M8), this is the *Nominal size*, meaning the *inside diameter* is 1/2 inch (8mm metric thread diameter); if a second number is present it represents the *threads per inch* (distance between threads).

When bolt or capscrew is identified as 1/2 - 16 x 2" (M8 - 1.25 x 50), this means the *Nominal size*, or *body diameter* is 1/2 inch (8mm metric thread diameter), the second number, 16, represents the *threads per inch*, (*distance between threads*). The final number is the *body length* of the bolt or screw, 2 inches (50mm).

NOTES

- These torque values are to be used for all hardware excluding: locknuts, self-tapping screws, thread forming screws, sheet metal screws and socket head setscrews.
- Recommended seating torque values for locknuts:
 - for prevailing torque locknuts - use 65% of grade 5 torques.
 - for flange whizlock nuts and screws - use 135% of grade 5 torques.
- Unless otherwise noted on assembly drawings, all torque values must meet this specification.

Common Hardware Types

Hex Head Capscrew



Washer



Carriage Bolt



Hex Nut

Wrench & Fastener Size Guide

1/4" Bolt or Nut	5/16" Bolt or Nut	3/8" Bolt or Nut	7/16" Bolt or Nut	1/2" Bolt or Nut
Wrench—7/16"	Wrench—1/2"	Wrench—9/16"	Wrench (Bolt)—5/8" Wrench (Nut)—11/16"	Wrench—3/4"
M6 Bolt or Nut Wrench—10mm	M8 Bolt or Nut Wrench—13mm	M10 Bolt or Nut Wrench—17mm	M12 Bolt or Nut Wrench—19mm	M14 Bolt or Nut Wrench—22mm

